

OPERATION AND INSTALLATION  
UTILISATION ET INSTALLATION  
BEDIENING EN INSTALLATIE  
OBŠLUHA A INŠTALÁCIA  
OBSŁUGA I INSTALACJA  
OPERARE ȘI INSTALARE  
KEZELÉS ÉS FELSZERELÉS  
RUKOVANJE I INSTALACIJA  
ЭКСПЛУАТАЦИЯ И УСТАНОВКА

Hydraulically controlled mini instantaneous water heater | Mini chauffe-eau instantané à gestion hydraulique | Hydraulisch gestuurde mini-doorstomer | Hydraulicky riadený mini prietokový ohrievač | Hydraulycznie sterowany mini przepływowy ogrzewacz wody | Mini-încălzitor instant controlat hidraulic | Hidraulikus működtetésű átfolyó rendszerű mini vízmelegítő | Hidraulički upravljani mini protočni grijač | Малогабаритный проточный нагреватель с гидравлическим управлением

- » EIL 3 Plus
- » EIL 4 Plus
- » EIL 6 Plus
- » EIL 7 Plus

**STIEBEL ELTRON**

# CONTENTS

## SPECIAL INFORMATION

### OPERATION

<b>1. General information</b>	<b>4</b>
1.1 Safety instructions	4
1.2 Other symbols in this documentation	5
1.3 Units of measurement	5
<b>2. Safety</b>	<b>6</b>
2.1 Intended use	6
2.2 General safety instructions	6
2.3 Test symbols	6
<b>3. Appliance description</b>	<b>7</b>
<b>4. Settings</b>	<b>7</b>
<b>5. Cleaning, care and maintenance</b>	<b>7</b>
<b>6. Troubleshooting</b>	<b>8</b>

### INSTALLATION

<b>7. Safety</b>	<b>8</b>
7.1 General safety instructions	8
7.2 Instructions, standards and regulations	9
<b>8. Appliance description</b>	<b>9</b>
8.1 Standard delivery	9
8.2 Accessories	9
<b>9. Preparation</b>	<b>10</b>
<b>10. Installation</b>	<b>10</b>
10.1 Installation site	10
10.2 Installation options	10

10.3 Making the electrical connection	13
<b>11. Commissioning</b>	<b>13</b>
11.1 Initial start-up	13
11.2 Appliance handover	14
11.3 Recommissioning	14
<b>12. Appliance shutdown</b>	<b>14</b>
<b>13. Troubleshooting</b>	<b>14</b>
<b>14. Maintenance</b>	<b>15</b>
14.1 Draining the appliance	15
14.2 Clean strainer	16
14.3 Tests in accordance with VDE 0701/0702	16
14.4 Appliance storage	16
14.5 Replacing the power cable for the EIL 6 Plus	16
<b>15. Specification</b>	<b>17</b>
15.1 Dimensions	17
15.2 Wiring diagram	17
15.3 Temperature increase	19
15.4 Application areas	19
15.5 Energy consumption data	20
15.6 Data table	21

## GUARANTEE

## ENVIRONMENT AND RECYCLING

## SPECIAL INFORMATION

- The appliance may be used by children aged 3 and older and persons with reduced physical, sensory or mental capabilities or a lack of experience and know-how, provided that they are supervised or they have been instructed on how to use the appliance safely and have understood the potential risks. Children must never play with the appliance. Cleaning and user maintenance must not be carried out by children without supervision.
- During operation, the tap can reach temperatures in excess of 50 °C. There is a risk of scalding at outlet temperatures in excess of 43 °C.
- The appliance is not suitable for supplying a shower (shower operation).
- Ensure the appliance can be separated from the power supply by an isolator that disconnects all poles with at least 3 mm contact separation.
- The specified voltage must match the mains voltage.
- The appliance must be permanently connected to fixed wiring, exception EIL 3 Plus.
- The power cable must only be replaced (for example if damaged) by a qualified contractor authorised by the manufacturer, using an original spare part.
- Secure the appliance as described in chapter "Installation / Installation".
- Observe the maximum permissible pressure (see chapter "Specification / Data table").

### General information

---

- The specific water resistivity of the mains water supply must not be undershot (see chapter "Installation / Specification / Data table").
- Drain the appliance as described in chapter "Installation / Maintenance / Draining the appliance".

## OPERATION

### 1. General information

The chapter "Operation" is intended for appliance users and qualified contractors.

The chapter "Installation" is intended for qualified contractors.



#### Note

Read these instructions carefully before using the appliance and retain them for future reference.

Pass on the instructions to a new user if required.

---

### 1.1 Safety instructions

#### 1.1.1 Structure of safety instructions



#### KEYWORD Type of risk




Here, possible consequences are listed that may result from failure to observe the safety instructions.

► Steps to prevent the risk are listed.

## OPERATION

# General information

### 1.1.2 Symbols, type of risk

Symbol	Type of risk
	Injury
	Electrocution
	Burns (burns, scalding)

### 1.1.3 Keywords

KEYWORD	Meaning
DANGER	Failure to observe this information will result in serious injury or death.
WARNING	Failure to observe this information may result in serious injury or death.
CAUTION	Failure to observe this information may result in non-serious or minor injury.



### 1.2 Other symbols in this documentation



#### Note

Notes are bordered by horizontal lines above and below the text. General information is identified by the adjacent symbol.

► Read these texts carefully.

Symbol	Meaning
	Material losses (appliance damage, consequential losses and environmental pollution)
	Appliance disposal

► This symbol indicates that you have to do something. The action you need to take is described step by step.

### 1.3 Units of measurement



#### Note

Unless specified otherwise, all dimensions are given in mm.

# OPERATION

## Safety

### 2. Safety

#### 2.1 Intended use

The appliance is intended for domestic use. It can be used safely by untrained persons. The appliance can also be used in non-domestic environments, e.g. in small businesses, as long as it is used in the same way.

This appliance is designed to heat DHW. The appliance is designed for one hand washbasin.

Any other use beyond that described shall be deemed inappropriate. Observation of these instructions and of the instructions for any accessories used is also part of the correct use of this appliance.

#### 2.2 General safety instructions



##### **DANGER Scalding**

During operation, the tap can reach temperatures in excess of 50 °C. There is a risk of scalding at outlet temperatures in excess of 43 °C.



##### **WARNING Injury**

The appliance may be used by children aged 3 and older and persons with reduced physical, sensory or mental capabilities or a lack of experience and know-how, provided that they are supervised or they have been instructed on how to use the appliance safely and have understood the potential risks. Children must never play with the appliance. Cleaning and user maintenance must not be carried out by children without supervision.



##### **DANGER Electrocutation**

Any damaged power cables must be replaced by a qualified electrician. This prevents potential hazards from arising.



##### **Material losses**

Protect the appliance and tap against frost.



##### **Material losses**

Only use the special aerator provided. Prevent scale build-up at the tap outlets (see chapter "Cleaning, care and maintenance").

#### 2.3 Test symbols

See type plate on the appliance.

### **3. Appliance description**

The hydraulically controlled mini instantaneous water heater heats the water directly at the draw-off point. The heating system starts automatically when the tap is opened. The short pipe runs ensure that energy and water losses are minimal.

The DHW output depends on the cold water temperature, the heating output and the flow rate.

The bare wire heating system is suitable for hard and soft water areas. This heating system has a low susceptibility to scale build-up. The heating system ensures quick and efficient DHW provision at the hand washbasin.

Fitting the special aerator supplied provides an optimum water jet.

### **4. Settings**

The appliance heating system switches on automatically as soon as you open the DHW valve at the tap or activate the sensor of a sensor tap. The water is heated. The water temperature can be adjusted at the tap:

For the starting flow rate, see chapter "Specification / Data table / On".

#### **Increasing the temperature**

- ▶ Reduce the flow rate at the tap.

#### **Reducing the temperature**

- ▶ Open the tap further or add more cold water.

#### **Following an interruption to the water supply**

See chapter "Commissioning / Recommissioning".

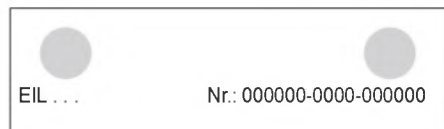
### **5. Cleaning, care and maintenance**

- ▶ Never use abrasive or corrosive cleaning agents. A damp cloth is sufficient for cleaning the appliance.
- ▶ Check the taps regularly. Limescale deposits at the tap outlets can be removed using commercially available descaling agents.
- ▶ Have the electrical safety of the appliance regularly checked by a qualified contractor.
- ▶ Regularly descale or replace the special aerator (see chapter "Appliance description / Accessories").

## 6. Troubleshooting

Problem	Cause	Remedy
The appliance will not start despite the DHW valve being fully open.	No power at the appliance.	Check the fuse/MCB in your fuse box/distribution board.
	The aerator in the tap is scaled up or dirty.	Clean and/or descale the aerator or replace the special aerator.
	The water supply has been interrupted.	Vent the appliance and the cold water inlet line (see chapter "Settings").

If you cannot remedy the fault, notify your qualified contractor. To facilitate and speed up your request, provide the number from the type plate (000000-0000-00000).



## INSTALLATION

## 7. Safety

Only a qualified contractor should carry out installation, commissioning, maintenance and repair of the appliance.

### 7.1 General safety instructions

We guarantee trouble-free function and operational reliability only if original accessories and spare parts intended for the appliance are used.



#### Material losses

Observe the max. permissible inlet temperature. Higher temperatures may damage the appliance. You can limit the inlet temperature by installing a central thermostatic valve.

---



#### 7.2 Instructions, standards and regulations



##### Note

Observe all applicable national and regional regulations and instructions.

The specific electrical resistance of the water used must not fall below that stated on the type plate. In a linked water network, factor in the lowest electrical resistance of the water (see chapter "Specification / Data table"). Your water supply utility will advise you of the electrical resistivity or conductivity of the water in your area.

## 8. Appliance description

### 8.1 Standard delivery

The following are delivered with the appliance:

- Sieve inside the cold water inlet
- Special aerator
- Connection hose 3/8, 500 mm long, with gaskets\*
- Tee 3/8\*

\* for the connection as pressure-tested appliance

### 8.2 Accessories

#### Special aerator



##### Note

Fitting the special aerator supplied provides an optimum water jet.

#### Taps/valves

- ▶ Use suitable taps.

#### Pressure-tested taps

Suitable pressure-tested taps are available from specialist trade shops.

#### Non-pressurised taps

- MAW (OT) - Non-pressurised wall mounted tap
- MAZ (UT) - Non-pressurised twin lever basin tap
- MAE-W (UTE) - Non-pressurised mono lever basin tap

# INSTALLATION

## Preparation

### 9. Preparation

- ▶ Flush the water line thoroughly.

#### Water installation

No safety valve is required.

### 10. Installation

#### 10.1 Installation site

Install the appliance in a room free from the risk of frost and near the draw-off tap.

Ensure that the lateral fixing screws for the cover are always accessible.

The appliance is only suitable for undersink installation (water connections at the top).

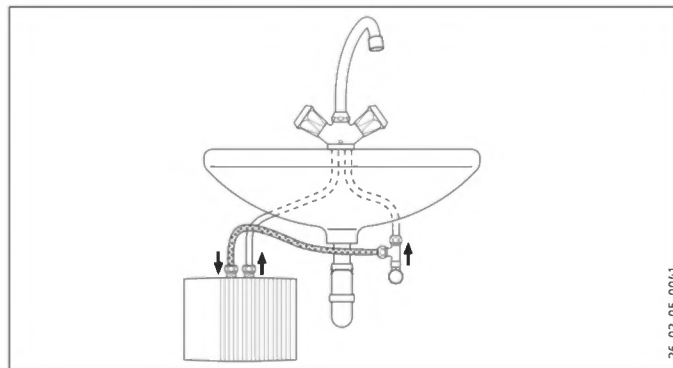


**DANGER Electrocutation**  
Protection rating IP 25 is only ensured if the appliance back panel is fitted.

- ▶ Always fit the appliance back panel.

#### 10.2 Installation options

**Undersink installation, pressure-tested, with pressure-tested tap**

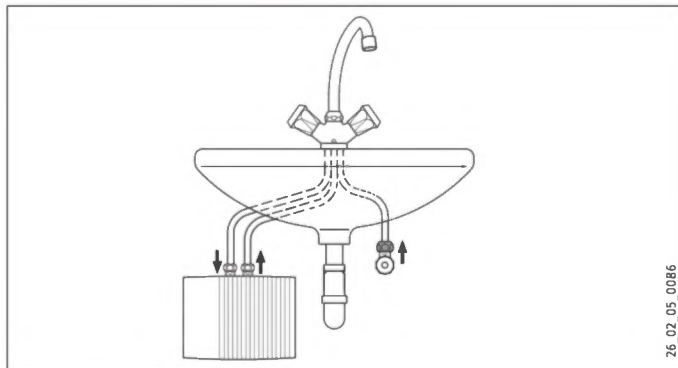


26\_02\_05\_0041

# INSTALLATION

## Installation

### Undersink installation, non-pressurised, with non-pressurised tap



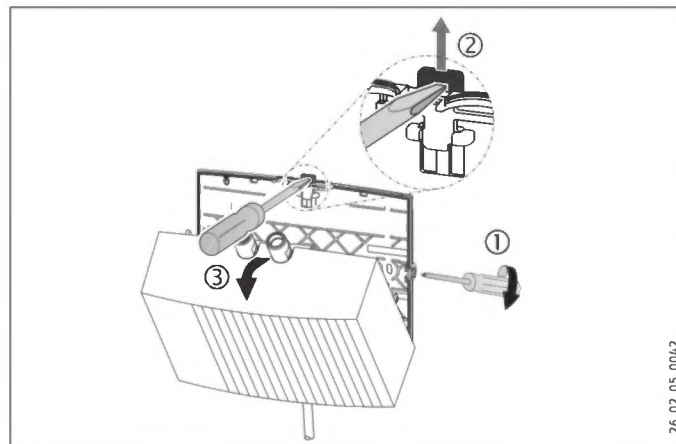
#### 10.2.1 Appliance installation



#### Note

The wall must have sufficient load bearing capacity.

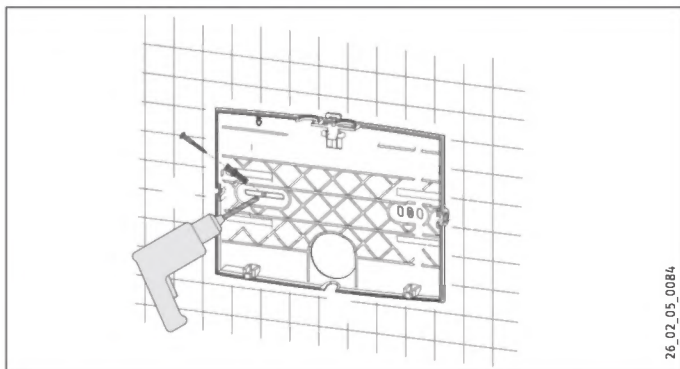
- ▶ Mount the appliance on the wall.



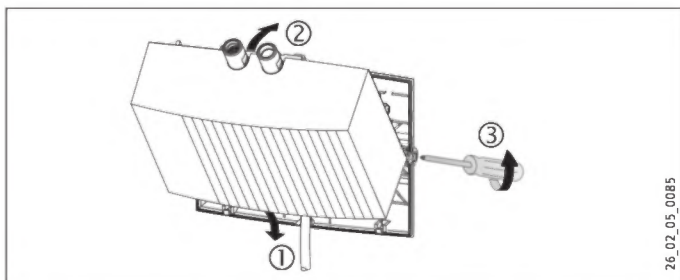
- ▶ Undo the cover fixing screws by two turns.
- ▶ Undo the snap fastener using a screwdriver.
- ▶ Remove the appliance cover with the heater towards the front.
- ▶ Using pliers, break out the knock-out for the power cable in the appliance cover. Correct the contours with a file if necessary.

# INSTALLATION

## Installation



- ▶ Use the appliance back panel as a drilling template.
- ▶ Secure the appliance back panel to the wall with suitable rawl plugs and screws.



- ▶ Route the power cable through the cable entry in the back panel.
- ▶ Hook in the appliance cover with the heater at the bottom.
- ▶ Click the heater into place using the snap fastener.
- ▶ Secure the appliance cover with the cover fixing screws.

### 10.2.2 Tap installation



#### Material losses

When making the connections, counter the torque on the appliance using a size 14 spanner.

#### Pressurised connection

- ▶ Fit the 3/8 connection hose and the 3/8 tee provided.
- ▶ Install the tap. For this, also observe the tap operating and installation instructions.

#### Non-pressurised connection

- ▶ Install the tap. For this, also observe the tap operating and installation instructions.

### 10.3 Making the electrical connection



#### **DANGER Electrocutation**

Carry out all electrical connection and installation work in accordance with relevant regulations.



#### **DANGER Electrocutation**

Ensure that the appliance is earthed.

Ensure the appliance can be separated from the power supply by an isolator that disconnects all poles with at least 3 mm contact separation.



#### **DANGER Electrocutation**

The appliances are delivered with a power cable (EIL 3 Plus with plug).

Connection to a permanent power supply is possible, provided the fixed cable has a cross-section that is at least equal to that of the standard power cable of the appliance. A maximum cross-section of 3 x 6 mm<sup>2</sup> may be used.



#### **Material losses**

When making the connection to a standard safety socket (in the case of a power cable with plug), ensure that the socket is freely accessible after the appliance has been installed.



#### **Material losses**

Observe the type plate. The specified voltage must match the mains voltage.

- ▶ Connect the power cable as shown in the wiring diagram (see chapter "Specification / Wiring diagram").

## 11. Commissioning

### 11.1 Initial start-up



- ▶ Fill the appliance by running the tap several times until the pipework and appliance are free of air.
- ▶ Carry out a tightness check.
- ▶ Insert the power cable plug, if present, into the standard safety socket or set the fuse/MCB.
- ▶ Check the appliance function.

### Appliance shutdown

#### 11.2 Appliance handover

- ▶ Explain the appliance function to users and familiarise them with how it works.
- ▶ Make the user aware of potential dangers, especially the risk of scalding.
- ▶ Hand over these instructions.

#### 11.3 Recommissioning



##### Material losses

Following an interruption of the water supply, recommission the appliance by carrying out the following steps, in order to prevent irreparable damage to the bare wire heating system.

- ▶ Isolate the appliance from the power supply. Pull the power cable plug, if present, from the socket, or remove the fuse/ reset the MCB.
- ▶ See chapter "Initial start-up".

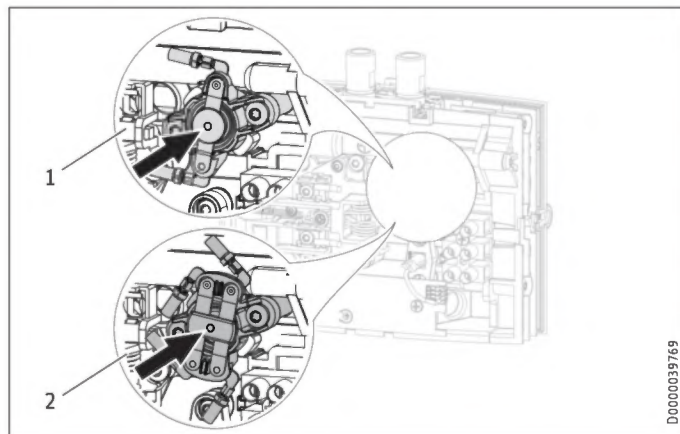
#### 12. Appliance shutdown

- ▶ Isolate the appliance from the power supply by means of the fuse/MCB in your fuse box or by pulling the power cable plug from the socket.
- ▶ Drain the appliance (see chapter "Maintenance").

#### 13. Troubleshooting

Problem	Cause	Remedy
The appliance will not start despite the DHW valve being fully open.	The aerator in the tap is scaled up or dirty.	Clean and/or descale the aerator or replace the special aerator.
	The sieve in the cold water line is blocked.	Clean the sieve after shutting off the cold water inlet line.
	The heating system is faulty.	Check the resistance of the heating system and replace the appliance if required.
	The safety pressure limiter has responded.	Remedy the cause of the fault. Isolate the appliance from the power supply and depressurise the water line. Activate the safety pressure limiter.

### Activating the safety pressure limiter



- 1 1-pole safety pressure limiter EIL 4 Plus / EIL 6 Plus
- 2 2-pole safety pressure limiter EIL 3 Plus / EIL 7 Plus

## 14. Maintenance



**DANGER Electrocution**  
Before any work on the appliance, disconnect all poles from the power supply.

### 14.1 Draining the appliance



**DANGER Scalding**  
Hot water may escape during draining.

If the appliance needs to be drained for maintenance or to protect the whole installation when there is a risk of frost, proceed as follows:

- ▶ Close the shut-off valve in the cold water inlet line.
- ▶ Open the draw-off valve.
- ▶ Undo the water connections on the appliance.

---

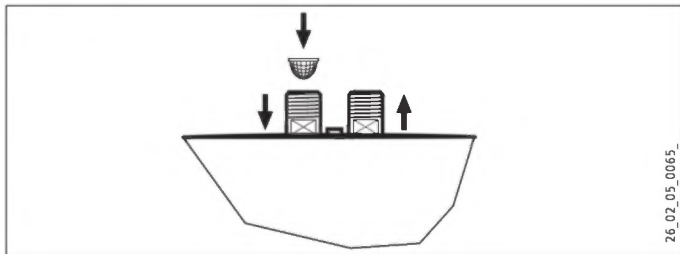
## INSTALLATION

### Maintenance

---

#### 14.2 Clean strainer

You can clean the fitted strainer after removing the cold water supply pipe.



#### 14.3 Tests in accordance with VDE 0701/0702

##### Earth conductor check

- ▶ Check the earth conductor (in Germany e.g. DGUV A3) on the earth conductor contact of the power cable and on the appliance connector.

##### Insulation resistance

- ▶ If an appliance with a rated heating output of > 3.5 kW does not achieve an insulation resistance of 300 k $\Omega$ , we recommend that the insulating properties of the appliance are checked by conducting a differential current test of the earth conductor current / leakage current to VDE 0701/0702 (Fig. C.3b).

#### 14.4 Appliance storage

- ▶ Store the dismantled appliance free from the risk of frost, as water residues remaining inside the appliance can freeze and cause damage.

#### 14.5 Replacing the power cable for the EIL 6 Plus

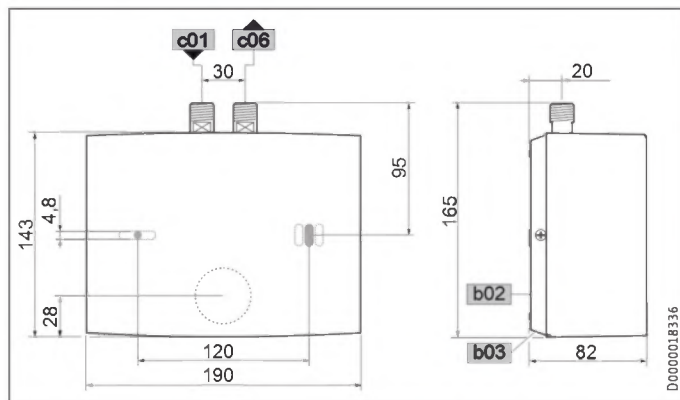
- ▶ If replacing the cable for the EIL 6 Plus, use a power cable with 4 mm<sup>2</sup> cross-section.



# INSTALLATION Specification

## 15. Specification

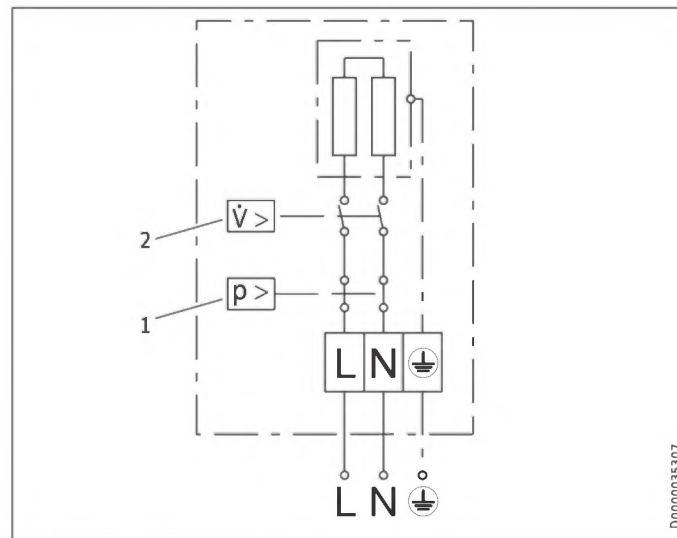
### 15.1 Dimensions



b02	Entry for electrical cables I		
b03	Entry electrical cables II		
c01	Cold water inlet	Male thread	G 3/8 A
c06	DHW outlet	Male thread	G 3/8 A

### 15.2 Wiring diagram

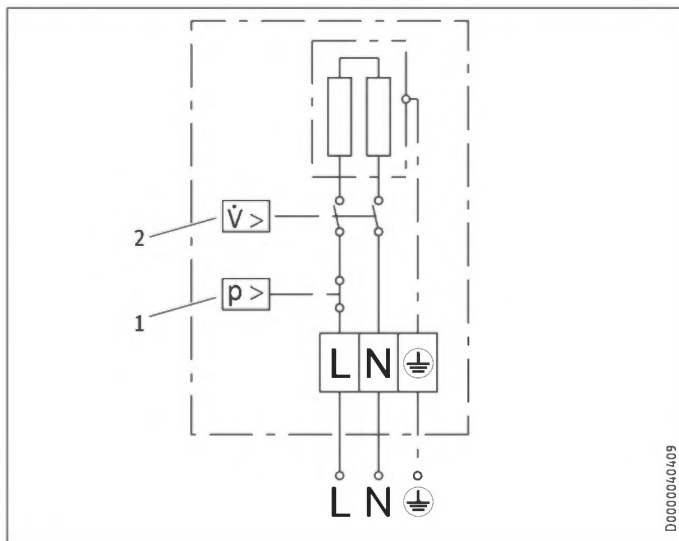
#### 15.2.1 EIL 3 Plus 1/N/PE ~ 200-240 V



- 1 Safety pressure limiter
- 2 Pressure differential switch

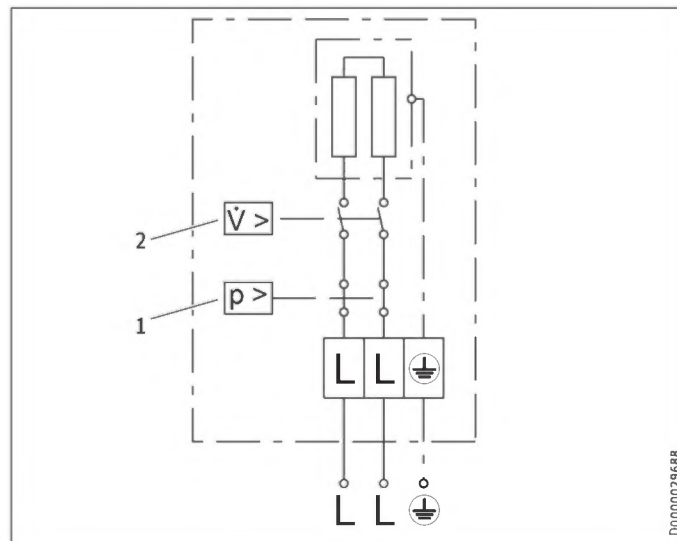
# INSTALLATION Specification

## 15.2.2 EIL 4 Plus | EIL 6 Plus 1/N/PE ~ 200-240 V



- 1 Safety pressure limiter
- 2 Pressure differential switch

## 15.2.3 EIL 7 Plus 2/PE ~ 380-415 V



- 1 Safety pressure limiter
- 2 Pressure differential switch



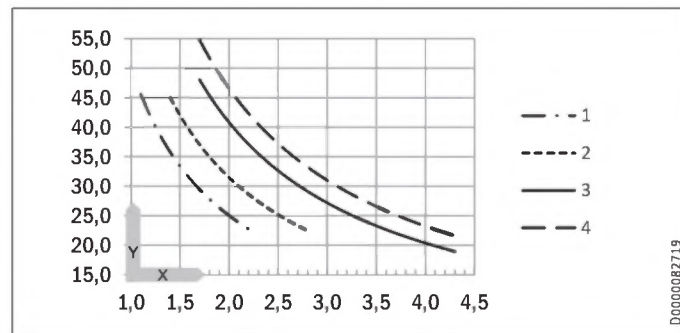
### Material losses

- ▶ In the case of a permanent power supply, connect the power cable according to the designations on the socket terminals.

# INSTALLATION Specification

## 15.3 Temperature increase

At 230 V / 400 V, the following water temperature increases occur:



- X Flow rate in l/min  
 Y Temperature increase in K
- 1 3.5 kW - 230 V
  - 2 4.4 kW - 230 V
  - 3 5.7 kW - 230 V
  - 4 6.5 kW - 400 V

### Example EIL 3 Plus with 3.5 kW

Flow rate	l/min	2.0
Temperature increase	K	25
Cold water supply temperature	°C	12
Maximum possible outlet temperature	°C	37

## 15.4 Application areas

For the specific electrical resistance and specific electrical conductivity, see "Data table".

Standard specification at 15 °C			20 °C			25 °C		
Specific resistance $\rho \geq$	Specific conductivity $\sigma \leq$		Specific resistance $\rho \geq$	Specific conductivity $\sigma \leq$		Specific resistance $\rho \geq$	Specific conductivity $\sigma \leq$	
$\Omega \text{ cm}$	mS/m	$\mu\text{S/cm}$	$\Omega \text{ cm}$	mS/m	$\mu\text{S/cm}$	$\Omega \text{ cm}$	mS/m	$\mu\text{S/cm}$
1100	91	909	970	103	1031	895	112	1117

# INSTALLATION Specification

## 15.5 Energy consumption data

Product datasheet: Conventional water heaters to regulation (EU) no. 812/2013 and 814/2013 / (S.I. 2019 No. 539 / Schedule 2)

		EIL 3 Plus	EIL 4 Plus	EIL 6 Plus	EIL 7 Plus
		200138	200139	200140	200141
Manufacturer		STIEBEL ELTRON	STIEBEL ELTRON	STIEBEL ELTRON	STIEBEL ELTRON
Load profile		XXS	XXS	XXS	XS
Energy efficiency class		A	A	A	A
Energy conversion efficiency	%	39	39	39	40
Annual power consumption	kWh	478	478	478	467
Sound power level	dB(A)	15	15	15	15
Special information on measuring efficiency		None	None	None	None
Daily power consumption	kWh	2.200	2.200	2.200	2.130

# INSTALLATION Specification

## 15.6 Data table

		EIL 3 Plus				EIL 4 Plus				EIL 6 Plus				EIL 7 Plus		
		200138				200139				200140				200141		
<b>Electrical data</b>																
Rated voltage	V	200	220	230	240	200	220	230	240	200	220	230	240	380	400	415
Rated output	kW	2.7	3.2	3.53	3.8	3.3	4.0	4.4	4.8	4.3	5.2	5.7	6.2	5.9	6.5	7.0
Rated current	A	13.3	14.5	15.2	15.8	16.7	18.2	19.1	20	21.6	23.6	24.7	25.8	15.5	16.3	16.9
Fuse protection	A	16				20				25	25	25	32	16	20	20
Frequency	Hz	50/60				50/60				50/60				50/60	50/60	50/-
Phases		1/N/PE				1/N/PE				1/N/PE				2/PE		
Specific resistance $\rho_{15} \geq$	$\Omega$ cm	1100				1100				1100				1100		
Specific conductivity $\sigma_{15} \leq$	$\mu$ S/cm	909				909				909				909		
Max. mains impedance at 50 Hz	$\Omega$									0.394	0.377	0.361				
<b>Connections</b>																
Water connection		G 3/8 A				G 3/8 A				G 3/8 A				G 3/8 A		
<b>Application limits</b>																
Max. permissible pressure	MPa	1				1				1				1		
<b>Values</b>																
Max. permissible inlet temperature	$^{\circ}$ C	35				35				35				35		
On	l/min	> 1.6				> 2.0				> 2.6				> 2.6		
Pressure drop at flow rate	MPa	0.05				0.06				0.08				0.08		
Flow rate for pressure drop	l/min	1.6				2.0				2.6				2.6		
Flow rate limit at	l/min	2.2				2.8				4.3				4.3		
DHW delivery	l/min	2.0				2.5				3.2				3.7		
$\Delta\theta$ on delivery	K	25				25				25				25		
<b>Hydraulic data</b>																
Nominal capacity	l	0.1				0.1				0.1				0.1		

# INSTALLATION Specification

Versions		EIL 3 Plus	EIL 4 Plus	EIL 6 Plus	EIL 7 Plus
Undersink installation		X	X	X	X
Open vented type		X	X	X	X
Sealed unvented type		X	X	X	X
Protection class		1	1	1	1
Insulating block		Plastic	Plastic	Plastic	Plastic
Heating system heat generator		Bare wire	Bare wire	Bare wire	Bare wire
Cover and back panel		Plastic	Plastic	Plastic	Plastic
Colour		White	White	White	White
IP rating		IP 25	IP 25	IP 25	IP 25
Dimensions					
Height	mm	143	143	143	143
Width	mm	190	190	190	190
Depth	mm	82	82	82	82
Length of connecting cable	mm	700	700	700	700
Weights					
Weight	kg	1.4	1.4	1.4	1.4



## Note

The appliance conforms to IEC 61000-3-12.

## Guarantee

The guarantee conditions of our German companies do not apply to appliances acquired outside of Germany. In countries where our subsidiaries sell our products a guarantee can only be issued by those subsidiaries. Such guarantee is only granted if the subsidiary has issued its own terms of guarantee. No other guarantee will be granted.

We shall not provide any guarantee for appliances acquired in countries where we have no subsidiary to sell our products. This will not affect warranties issued by any importers.

## Environment and recycling

- ▶ Dispose of the appliances and materials after use in accordance with national regulations.



- ▶ If a crossed-out waste bin is pictured on the appliance, take the appliance to your local waste and recycling centre or nearest retail take-back point for reuse and recycling.



This document is made of recyclable paper.

- ▶ Dispose of the document at the end of the appliance's life cycle in accordance with national regulations.

# TABLE DES MATIÈRES

## REMARQUES PARTICULIÈRES

### UTILISATION

<b>1. Remarques générales</b>	<b>26</b>
1.1 Consignes de sécurité	26
1.2 Autres pictogrammes utilisés dans cette documentation	27
1.3 Unités de mesure	27
<b>2. Sécurité</b>	<b>28</b>
2.1 Utilisation conforme	28
2.2 Consignes de sécurité générales	28
2.3 Label de conformité	28
<b>3. Description de l'appareil</b>	<b>29</b>
<b>4. Configuration</b>	<b>29</b>
<b>5. Nettoyage, entretien et maintenance</b>	<b>29</b>
<b>6. Dépannage</b>	<b>30</b>

### INSTALLATION

<b>7. Sécurité</b>	<b>30</b>
7.1 Consignes de sécurité générales	30
7.2 Prescriptions, normes et réglementations	31
<b>8. Description de l'appareil</b>	<b>31</b>
8.1 Fourniture	31
8.2 Accessoires	31
<b>9. Travaux préparatoires</b>	<b>32</b>
<b>10. Montage</b>	<b>32</b>
10.1 Lieu d'installation	32
10.2 Variantes de pose	32

10.3 Réalisation du raccordement électrique	35
<b>11. Mise en service</b>	<b>35</b>
11.1 Première mise en service	35
11.2 Remise de l'appareil au client	36
11.3 Remise en marche	36
<b>12. Mise hors service</b>	<b>36</b>
<b>13. Aide au dépannage</b>	<b>36</b>
<b>14. Maintenance</b>	<b>37</b>
14.1 Vidange de l'appareil	37
14.2 Nettoyage du filtre	38
14.3 Contrôles selon VDE 0701/0702	38
14.4 Stockage de l'appareil	38
14.5 Remplacement du câble d'alimentation électrique sur le EIL 6 Plus	38
<b>15. Caractéristiques techniques</b>	<b>39</b>
15.1 Cotes	39
15.2 Schéma électrique	39
15.3 Augmentation de la température	41
15.4 Plages d'utilisation	41
15.5 Indications relatives à la consommation énergétique	42
15.6 Tableau des données	43

### GARANTIE

### ENVIRONNEMENT ET RECYCLAGE



# REMARQUES PARTICULIÈRES

- L'appareil peut être utilisé par des enfants de 3 ans et plus, ainsi que par des personnes aux facultés physiques, sensorielles ou mentales réduites, ou par des personnes sans expérience, s'ils sont sous surveillance ou qu'ils ont été formés à l'utilisation en toute sécurité de l'appareil, et s'ils ont compris les dangers encourus. Ne laissez pas les enfants jouer avec l'appareil. Ne confiez pas le nettoyage ni les opérations de maintenance réservées aux utilisateurs à des enfants sans surveillance.
- En fonctionnement, la température de la robinetterie peut dépasser 50 °C. Risque de brûlure à des températures de sortie supérieures à 43 °C.
- Cet appareil ne convient pas pour alimenter une douche (en mode douche).
- L'appareil doit pouvoir être déconnecté du secteur par un dispositif de coupure multipolaire ayant une ouverture minimale des contacts de 3 mm.
- La tension indiquée doit correspondre à la tension du secteur.
- L'appareil doit être raccordé en permanence à un câblage fixe, à l'exception de EIL 3 Plus.
- En cas de détérioration ou pour le remplacement du câble d'alimentation, veuillez n'utiliser que des pièces de rechange d'origine, et faire appel à un installateur agréé par le fabricant.
- Fixez l'appareil comme indiqué dans le chapitre « Installation / Montage ».

### Remarques générales

- Tenez compte de la pression admissible maximale (voir chapitre « Données techniques / Tableau des données »)
- La résistance hydraulique spécifique du réseau de distribution d'eau doit être atteinte (voir le chapitre « Installation / Données techniques / Tableau de données »).
- Vidangez l'appareil comme indiqué au chapitre « Installation / Maintenance / Vidange de l'appareil ».

## UTILISATION

### 1. Remarques générales

Le chapitre « Utilisation » s'adresse à l'utilisateur de l'appareil et à l'installateur qualifié.

Le chapitre « Installation » s'adresse aux installateurs.



#### Remarque

Lisez attentivement cette notice avant l'utilisation et conservez-la soigneusement.

Remettez cette notice au nouvel utilisateur le cas échéant.

### 1.1 Consignes de sécurité

#### 1.1.1 Présentation des consignes de sécurité



#### MENTION D'AVERTISSEMENT Nature du danger




Sont indiqués ici les risques éventuellement encourus en cas de non-respect de la consigne de sécurité.

- Indique les mesures permettant de prévenir le danger.

## UTILISATION

### Remarques générales

#### 1.1.2 Pictogrammes, nature du danger

Pictogramme	Nature du danger
	Blessure
	Électrocution
	Brûlure (brûlure, ébouillement)

#### 1.1.3 Mentions d'avertissement

MENTION D'AVERTISSEMENT	Signification
DANGER	Caractérise des consignes dont le non-respect entraîne de graves lésions, voire la mort.
AVERTISSEMENT	Caractérise des consignes dont le non-respect peut entraîner de graves lésions, voire la mort.
ATTENTION	Caractérise des consignes dont le non-respect peut entraîner des lésions légères ou moyennement graves.



#### 1.2 Autres pictogrammes utilisés dans cette documentation



##### Remarque

Les remarques sont délimitées par des lignes horizontales au-dessus et en dessous du texte. Le pictogramme ci-contre caractérise des consignes générales.

► Lisez attentivement les consignes.

Pictogramme	Signification
	Dommages matériels (endommagement de l'appareil, dommages consécutifs, pollution de l'environnement)
	Recyclage de l'appareil

► Ce pictogramme signale une action à entreprendre. Les actions nécessaires sont décrites étape par étape.

#### 1.3 Unités de mesure



##### Remarque

Sauf indication contraire, l'unité de mesure utilisée est en millimètre.

## 2. Sécurité

### 2.1 Utilisation conforme

L'appareil est conçu pour une utilisation domestique. Il peut être utilisé sans risque par des personnes qui ne disposent pas de connaissances techniques particulières. L'appareil peut également être utilisé dans un environnement non domestique, par exemple dans de petites entreprises, à condition que son utilisation soit de même nature.

Cet appareil est conçu pour la production d'eau chaude sanitaire. Il convient pour un lave-mains.

Tout autre emploi est considéré comme non conforme. Une utilisation conforme de l'appareil implique également le respect de cette notice et de celles des accessoires utilisés.

### 2.2 Consignes de sécurité générales



#### **DANGER Brûlure**

En fonctionnement, la température de la robinetterie peut dépasser 50 °C. Risque de brûlure à des températures de sortie supérieures à 43 °C.



#### **AVERTISSEMENT Blessure**

L'appareil peut être utilisé par des enfants de 3 ans et plus, ainsi que par des personnes aux facultés physiques, sensorielles ou mentales réduites, ou par des personnes sans expérience, s'ils sont sous surveillance ou qu'ils ont été formés à l'utilisation en toute sécurité de l'appareil, et s'ils ont compris les dangers encourus. Ne laissez pas les enfants jouer avec l'appareil. Ne confiez pas le nettoyage ni les opérations de maintenance réservées aux utilisateurs à des enfants sans surveillance.



#### **DANGER Risque d'électrocution**

Faites remplacer immédiatement tout câble de raccordement électrique endommagé ou défectueux par un installateur. Cette précaution écarte tout risque potentiel.



#### **Dommages matériels**

Protégez l'appareil et la robinetterie du gel.



#### **Dommages matériels**

Utilisez uniquement le régulateur de jet spécial fourni. Évitez l'entartrage des becs de robinetterie (voir le chapitre « Nettoyage, entretien et maintenance »).

### 2.3 Label de conformité

Voir la plaque signalétique sur l'appareil.

### 3. Description de l'appareil

Ce petit chauffe-eau instantané à commande hydraulique chauffe l'eau directement au point de soutirage. Lorsque la robinetterie est ouverte, la puissance de chauffe est automatiquement activée. Grâce aux faibles longueurs des conduites, les pertes d'énergie et d'eau sont réduites.

La capacité de production d'eau chaude dépend de la température de l'eau froide, de la puissance de chauffe et du débit.

Le système de chauffe à fil nu convient à l'eau calcaire et non calcaire. Le système de chauffe est largement résistant au tartre. Il garantit une mise à disposition rapide et efficace de l'eau chaude au lave-mains.

En installant le régulateur de jet spécial fourni, vous obtenez un jet optimal.

### 4. Configuration

Dès que vous ouvrez le robinet d'eau chaude de la robinetterie ou que la sonde d'une robinetterie à sonde est activée, le système de chauffe de l'appareil est automatiquement activé. L'eau est chauffée. Vous pouvez modifier la température de l'eau à l'aide de la robinetterie :

Pour le débit d'enclenchement, voir le chapitre « Données techniques / Tableau des données, Marche ».

#### Augmentation de la température

- ▶ Réduisez le débit de soutirage à l'aide de la robinetterie.

#### Diminution de la température

- ▶ Ouvrez plus la robinetterie ou ajoutez plus d'eau froide au mélangeur.

#### Après coupure d'eau

Voir chapitre « Mise en service / Remise en marche ».

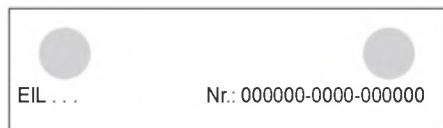
### 5. Nettoyage, entretien et maintenance

- ▶ N'utilisez aucun produit de nettoyage abrasif ou corrosif. Un chiffon humide suffit pour le nettoyage et l'entretien de l'appareil.
- ▶ Contrôlez régulièrement les robinetteries. Vous pouvez éliminer le tartre au niveau des becs de robinetterie avec les produits de détartrage du commerce.
- ▶ Faites contrôler régulièrement la sécurité électrique de l'appareil par un installateur.
- ▶ Détartrez ou remplacez régulièrement le régulateur de jet spécial dans la robinetterie (voir le chapitre « Description de l'appareil / Accessoires ».).

## 6. Dépannage

Problème	Cause	Remède
L'appareil ne démarre pas, bien que le robinet d'eau chaude soit entièrement ouvert.	L'appareil n'est pas sous tension.	Contrôlez le fusible / disjoncteur au tableau électrique.
	Le régulateur de jet de la robinetterie est entartré ou encrassé.	Procédez au nettoyage et/ou au détartrage du régulateur de jet, ou bien remplacez-le par un modèle spécial.
	L'alimentation en eau est coupée.	Purgez l'appareil et la conduite d'arrivée d'eau froide (voir le chapitre Réglages).

Appelez l'installateur si vous ne réussissez pas à éliminer la cause du problème. Pour obtenir une aide efficace et rapide, communiquez-lui le numéro indiqué sur la plaque signalétique (000000-0000-000000).



## INSTALLATION

### 7. Sécurité

L'installation, la mise en service, la maintenance et les réparations de cet appareil doivent exclusivement être confiées à un installateur.

#### 7.1 Consignes de sécurité générales

Nous garantissons le bon fonctionnement et la sécurité de fonctionnement de l'appareil uniquement si les accessoires et pièces de rechange utilisés sont d'origine.



#### Dommages matériels

Tenez compte de la température d'arrivée d'eau maximale admissible. L'appareil peut subir des détériorations en cas de températures trop élevées. Vous pouvez limiter la température d'arrivée d'eau à l'aide d'une robinetterie thermostatique centralisée.

## 7.2 Prescriptions, normes et réglementations



### Remarque

Respectez toutes les prescriptions et réglementations nationales et locales en vigueur.

La résistance électrique spécifique de l'eau ne doit pas être inférieure à celle indiquée sur la plaque signalétique. Pour un réseau mixte, vous devez prendre en compte la plus faible résistance électrique de l'eau (voir chapitre « Données techniques / Tableau des données »). Votre société distributrice est en mesure de délivrer les informations relatives à la résistance électrique spécifique ou à la conductivité électrique de l'eau.

## 8. Description de l'appareil

### 8.1 Fourniture

Sont fournis avec l'appareil :

- Filtre dans l'arrivée d'eau froide
- Régulateur de jet spécial
- Flexible de raccordement 3/8, 500 mm de longueur, avec joints d'étanchéité\*
- Raccord en T 3/8\*

\* pour le raccordement en tant qu'appareil sous pression

## 8.2 Accessoires

### Régulateur de jet spécial



### Remarque

Lorsque le régulateur de jet spécial est installé dans la robinetterie, vous obtenez un jet d'eau optimal.

### Robinetteries

- Utilisez des robinetteries appropriées.

### Robinetteries sous pression

Des robinetteries sous pression adaptées sont disponibles dans le commerce spécialisé.

### Robinetteries à écoulement libre

- MAW (OT) - Robinetterie murale à écoulement libre
- MAZ (UT) - Robinetterie de lavabo à 2 poignées à écoulement libre
- MAE-W (UTE) - Mitigeur mural monocommande à écoulement libre

#### 9. Travaux préparatoires

- Rincez soigneusement la conduite d'eau.

##### Installation hydraulique

Aucune soupape de sécurité n'est nécessaire.

#### 10. Montage

##### 10.1 Lieu d'installation

Installez l'appareil dans un local hors gel à proximité du robinet du point de soutirage.

Veillez à ce que les vis de fixation latérales du capot soient accessibles.

L'appareil est exclusivement conçu pour une pose sous évier (raccordement hydraulique par le haut).



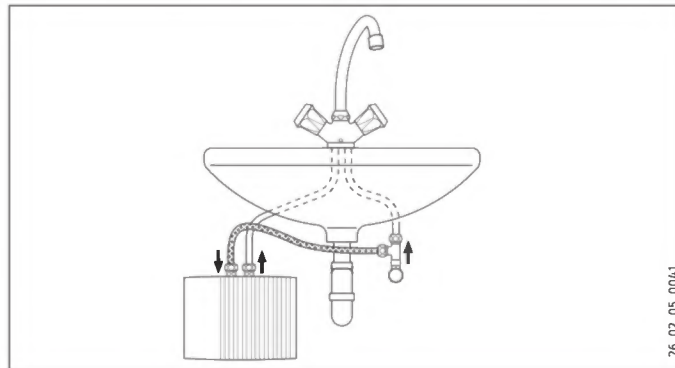
**DANGER** Risque d'électrocution

Le degré de protection IP 25 n'est assuré que si la paroi arrière de l'appareil est montée.

- Montez toujours la paroi arrière de l'appareil.

##### 10.2 Variantes de pose

###### Pose sous évier, sous pression, avec robinetterie sous pression

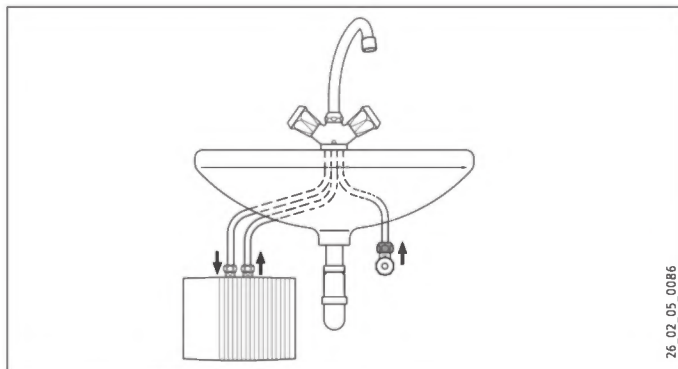




# INSTALLATION

## Montage

### Pose sous évier, écoulement libre, avec robinetterie à écoulement libre



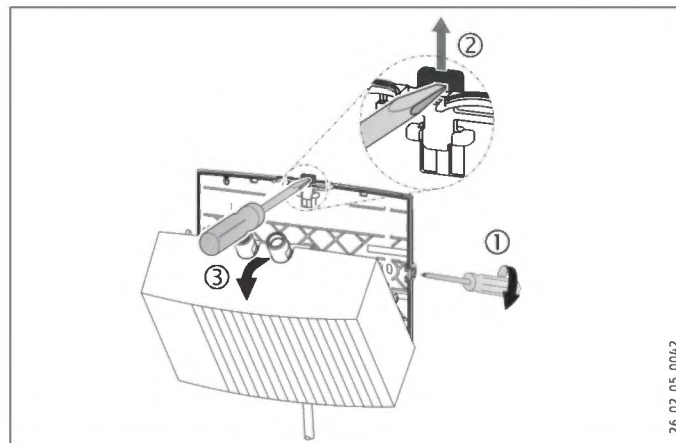
#### 10.2.1 Pose de l'appareil



#### Remarque

Le mur doit être suffisamment porteur.

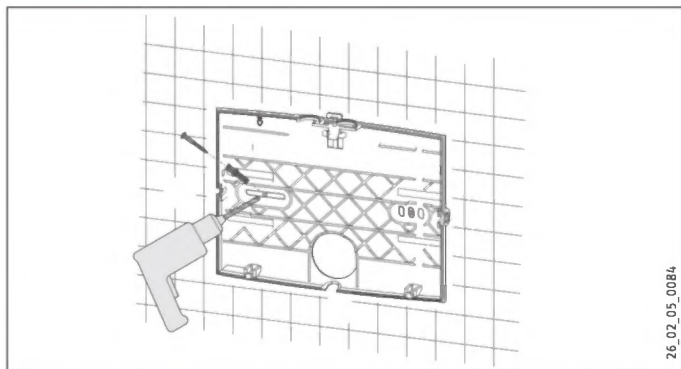
- Fixez l'appareil au mur.



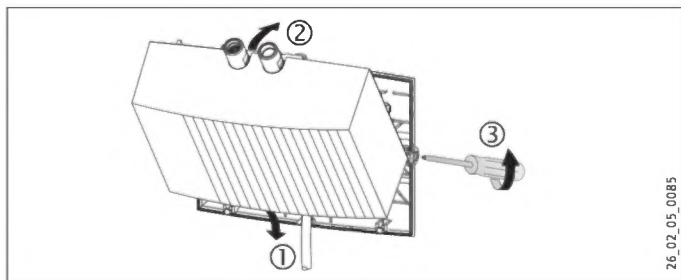
- Desserrez sur deux tours les vis de fixation du capot.
- Déverrouillez le bouchon à dé clic à l'aide d'un tournevis.
- Retirez le capot de l'appareil avec le système de chauffe par l'avant.
- Rompez l'ouverture de passage du câble de raccordement électrique dans le capot de l'appareil à l'aide d'une pince. Ébavurez les contours avec une lime au besoin.

## INSTALLATION

### Montage



- ▶ Utilisez la paroi arrière de l'appareil comme gabarit de perçage.
- ▶ Fixez la paroi arrière de l'appareil au mur à l'aide des vis et des chevilles.



- ▶ Passez le câble de raccordement électrique par le capot de l'appareil.
- ▶ Accrochez le bas du capot avec le système de chauffe.
- ▶ Encliquez le système de chauffe dans le bouchon à déclic.
- ▶ Fixez le capot à l'aide de ses vis de fixation.

#### 10.2.2 Pose de la robinetterie



##### **Dommages matériels**

Lors du montage des raccords, la partie côté appareil doit impérativement être maintenue à l'aide d'une clé d'ouverture 14.

#### **Raccordement sous pression**

- ▶ Installez le flexible de raccordement 3/8 et le raccord en T 3/8 fournis.
- ▶ Posez la robinetterie. Tenez compte des notice d'utilisation et d'installation de la robinetterie.

#### **Raccordement à écoulement libre**

- ▶ Posez la robinetterie. Tenez compte des notice d'utilisation et d'installation de la robinetterie.

# INSTALLATION

## Mise en service

### 10.3 Réalisation du raccordement électrique



**DANGER Risque d'électrocution**  
Exécutez tous les travaux de raccordement et d'installation électriques conformément aux prescriptions.



**DANGER Risque d'électrocution**  
Veillez à ce que l'appareil soit raccordé au conducteur de mise à la terre.  
L'appareil doit pouvoir être déconnecté du secteur par un dispositif de coupure multipolaire ayant une ouverture minimale des contacts de 3 mm.



**DANGER Risque d'électrocution**  
Les appareils sont équipés d'origine d'un cordon de raccordement (EIL 3 Plus avec fiche).  
Il est possible de brancher l'appareil sur une ligne électrique fixe à condition que celle-ci présente des conducteurs d'une section au moins égale à celle du cordon de l'appareil. Ces conducteurs doivent avoir une section de 3 x 6 mm<sup>2</sup> au maximum.



**Domages matériels**  
Si vous branchez l'appareil sur une prise secteur 2P+T (dans le cas d'un cordon d'alimentation avec fiche), veillez à ce que celle-ci reste accessible une fois l'appareil installé.



**Domages matériels**  
Respectez les indications de la plaque signalétique. La tension indiquée doit correspondre à la tension du secteur.

- ▶ Raccordez le câble d'alimentation électrique selon le schéma électrique (voir le chapitre « Données techniques / Schéma électrique »).

## 11. Mise en service

### 11.1 Première mise en service



- ▶ Remplissez l'appareil par plusieurs soutirages en ouvrant la robinetterie jusqu'à ce que la conduite d'arrivée d'eau et l'appareil soient totalement purgés.
- ▶ Effectuez un contrôle d'étanchéité.
- ▶ Branchez la fiche du cordon dans la prise secteur 2P+T ou enclenchez le disjoncteur.
- ▶ Contrôlez le fonctionnement de l'appareil.

### Mise hors service

#### 11.2 Remise de l'appareil au client

- ▶ Expliquez les différentes fonctions de l'appareil à l'utilisateur, puis familiarisez-le avec son utilisation.
- ▶ Indiquez à l'utilisateur les risques encourus, notamment les risques de brûlures.
- ▶ Remettez-lui cette notice.

#### 11.3 Remise en marche



##### Dommmages matériels

Après une coupure d'eau, l'appareil doit être remis en fonctionnement en procédant comme suit pour ne pas détruire le système de chauffe à fil nu.

- ▶ Mettez l'appareil hors tension. Débranchez la fiche du cordon de la prise secteur ou déclenchez le disjoncteur.
- ▶ Voir le chapitre « Première mise en service ».

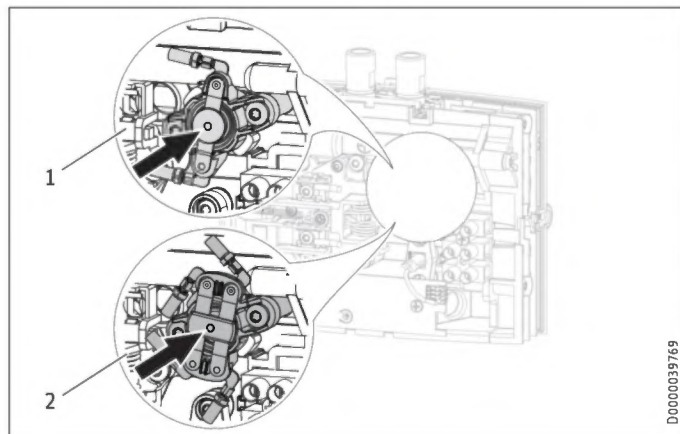
#### 12. Mise hors service

- ▶ Séparez l'appareil du secteur à l'aide du disjoncteur de l'installation domestique ou débranchez la fiche du cordon d'alimentation.
- ▶ Vidangez l'appareil (voir le chapitre « Maintenance »).

#### 13. Aide au dépannage

Problème	Cause	Remède
L'appareil ne démarre pas, bien que le robinet d'eau chaude soit entièrement ouvert.	Le régulateur de jet de la robinetterie est entartré ou encrassé.	Procédez au nettoyage et/ou au détartrage du régulateur de jet, ou bien remplacez-le par un modèle spécial.
	Le filtre de l'arrivée d'eau froide est colmaté.	Nettoyez le filtre après avoir coupé l'arrivée d'eau froide.
	Le système de chauffe est défectueux.	Mesurez la résistance du système de chauffe et, le cas échéant, remplacez l'appareil.
	Le pressostat de sécurité s'est déclenché.	Supprimez l'origine du défaut. Mettez l'appareil hors tension, puis faites chuter totalement la pression dans la conduite d'eau. Activez le pressostat de sécurité.

### Activation du pressostat de sécurité



- 1 Pressostat de sécurité à 1 broche EIL 4 Plus / EIL 6 Plus
- 2 Pressostat de sécurité à 2 broches EIL 3 Plus / EIL 7 Plus

## 14. Maintenance



**DANGER** Risque d'électrocution  
Avant toute intervention, débranchez l'appareil sur tous les pôles.

### 14.1 Vidange de l'appareil



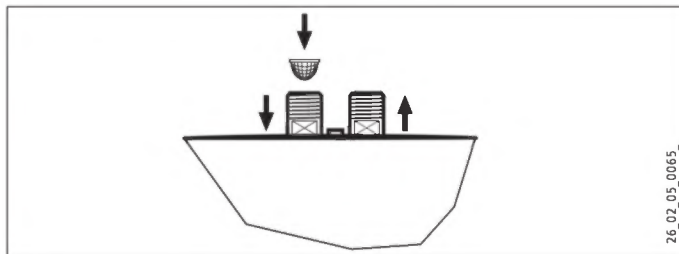
**DANGER** Brûlure  
L'eau vidangée peut être très chaude.

Si l'appareil doit être vidangé pour les travaux de maintenance ou en vue de protéger l'ensemble de l'installation en cas de risque de gel, veuillez procéder comme suit :

- ▶ Fermez le robinet d'arrêt de l'arrivée d'eau froide.
- ▶ Ouvrez le robinet de soutirage.
- ▶ Desserrez les raccords hydrauliques de l'appareil.

### 14.2 Nettoyage du filtre

Vous pouvez nettoyer le filtre intégré une fois que la conduite de raccordement d'eau froide a été démontée.



### 14.3 Contrôles selon VDE 0701/0702

#### Contrôle du conducteur de mise à la terre

- ▶ Contrôlez le conducteur de terre (en Allemagne p. ex. DGUV A3) au contact du conducteur de terre sur la ligne électrique et au manchon de raccordement de l'appareil.

#### Résistance d'isolement

- ▶ Si un appareil d'une puissance de chauffe nominale  $> 3,5$  kW ne peut pas atteindre la résistance d'isolement de  $300$  k $\Omega$ , nous recommandons de vérifier les propriétés d'isolement de cet appareil par une mesure du différentiel courant de terre / courant de fuite selon VDE 0701/0702 (fig. C.3b).

### 14.4 Stockage de l'appareil

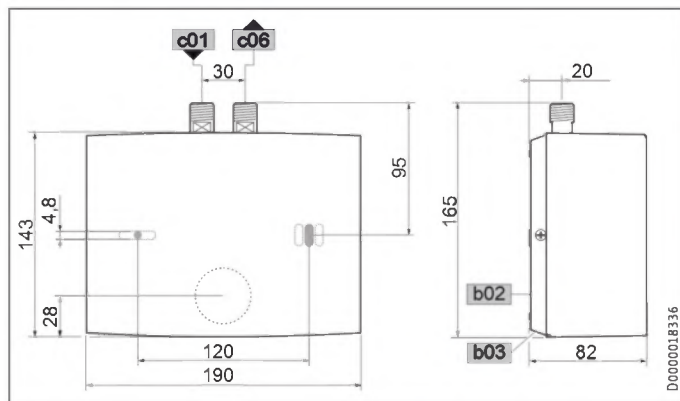
- ▶ Veillez à protéger du gel tout appareil déposé, car celui-ci contient encore de l'eau pouvant geler et provoquer des dommages.

### 14.5 Remplacement du câble d'alimentation électrique sur le EIL 6 Plus

- ▶ Sur le EIL 6 Plus, en cas de remplacement, vous devez utiliser un câble électrique de  $4$  mm $^2$ .

### 15. Caractéristiques techniques

#### 15.1 Cotes

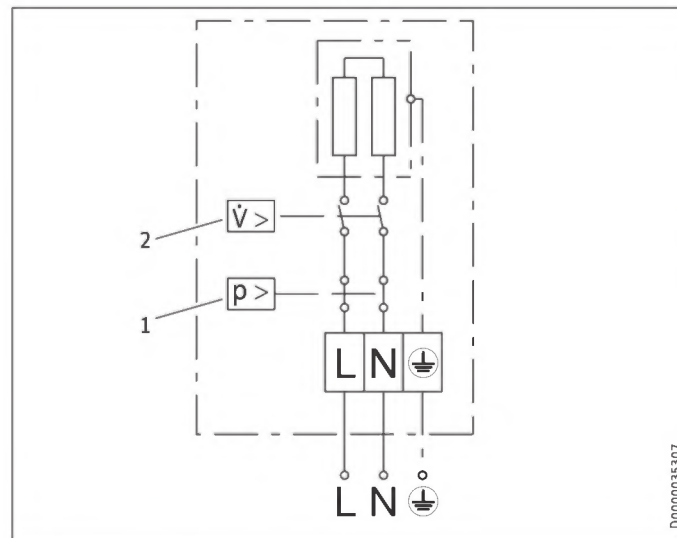


b02	Passage des câbles électriques I		
b03	Passage des câbles électriques II		
c01	Arrivée eau froide	Filetage mâle	G 3/8 A
c06	Sortie eau chaude	Filetage mâle	G 3/8 A

#### 15.2 Schéma électrique

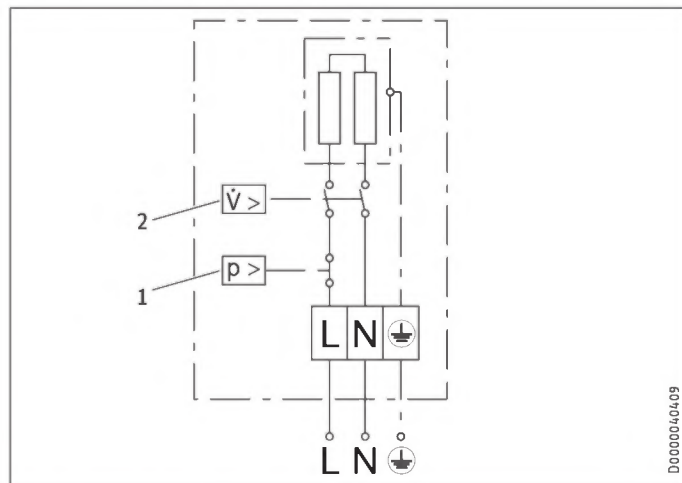
##### 15.2.1 EIL 3 Plus

1/N/PE ~ 200-240 V



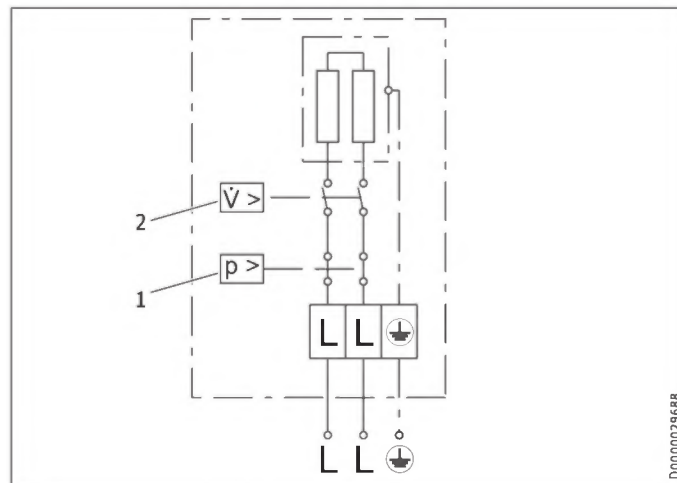
- 1 Pressostat de sécurité
- 2 Pressostat différentiel

### 15.2.2 EIL 4 Plus et EIL 6 Plus 1/N/PE ~ 200-240 V



- 1 Pressostat de sécurité
- 2 Pressostat différentiel

### 15.2.3 EIL 7 Plus 2/PE ~ 380-415 V



- 1 Pressostat de sécurité
- 2 Pressostat différentiel



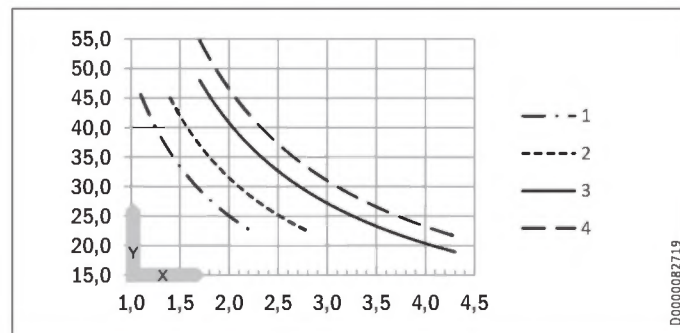
#### **Dommages matériels**

► Dans le cas d'une alimentation électrique par installation fixe, branchez le câble de raccordement électrique selon l'affectation des bornes indiquée sur le schéma.



### 15.3 Augmentation de la température

Avec une tension secteur de 230 V / 400 V, on obtient les hausses de température suivantes de l'eau :



X Débit de soutirage en l/min

Y Hausse de température en K

1 3,5 kW - 230 V

2 4,4 kW - 230 V

3 5,7 kW - 230 V

4 6,5 kW - 400 V

#### Exemple EIL 3 Plus à 3,5 kW

Débit volumique	l/min	2,0
Augmentation de la température	K	25
Température d'arrivée eau froide	°C	12
Température maximale de sortie possible eau chaude	°C	37

### 15.4 Plages d'utilisation

Résistance électrique spécifique et conductivité électrique spécifique, voir « Tableau des données ».

Indication normalisée à 15 °C			20 °C			25 °C		
Résistance spécifique $\rho \geq$	Conductivité spécifique $\sigma \leq$		Résistance spécifique $\rho \geq$	Conductivité spécifique $\sigma \leq$		Résistance spécifique $\rho \geq$	Conductivité spécifique $\sigma \leq$	
$\Omega \text{ cm}$	mS/m	$\mu\text{S/cm}$	$\Omega \text{ cm}$	mS/m	$\mu\text{S/cm}$	$\Omega \text{ cm}$	mS/m	$\mu\text{S/cm}$
1100	91	909	970	103	1031	895	112	1117

### 15.5 Indications relatives à la consommation énergétique

Fiche produit : Chauffe-eau conventionnels selon règlement (UE) n° 812/2013 | 814/2013

		EIL 3 Plus	EIL 4 Plus	EIL 6 Plus	EIL 7 Plus
		200138	200139	200140	200141
Fabricant		STIEBEL ELTRON	STIEBEL ELTRON	STIEBEL ELTRON	STIEBEL ELTRON
Profil de soutirage		XXS	XXS	XXS	XS
Classe d'efficacité énergétique		A	A	A	A
Efficacité énergétique pour le chauffage de l'eau par conditions climatiques moyennes	%	39	39	39	40
Consommation annuelle d'électricité	kWh	478	478	478	467
Niveau de puissance acoustique	dB(A)	15	15	15	15
Indication spécifique pour la mesure de l'efficacité		aucun	aucun	aucun	aucun
Consommation journalière d'électricité	kWh	2,200	2,200	2,200	2,130

# INSTALLATION

## Caractéristiques techniques

### 15.6 Tableau des données

		EIL 3 Plus				EIL 4 Plus				EIL 6 Plus				EIL 7 Plus		
		200138				200139				200140				200141		
<b>Données électriques</b>																
Tension nominale	V	200	220	230	240	200	220	230	240	200	220	230	240	380	400	415
Puissance nominale	kW	2,7	3,2	3,53	3,8	3,3	4,0	4,4	4,8	4,3	5,2	5,7	6,2	5,9	6,5	7,0
Intensité nominale	A	13,3	14,5	15,2	15,8	16,7	18,2	19,1	20	21,6	23,6	24,7	25,8	15,5	16,3	16,9
Protection (électrique)	A	16				20				25	25	25	32	16	20	20
Fréquence	Hz	50/60				50/60				50/60				50/60	50/60	50/-
Phases		1/N/PE				1/N/PE				1/N/PE				2/PE		
Résistance spécifique $\rho_{15} \geq$	$\Omega$ cm	1100				1100				1100				1100		
Conductivité spécifique $\sigma_{15} \leq$	$\mu\text{S/cm}$	909				909				909				909		
Impédance de réseau maximale à 50 Hz	$\Omega$									0,394	0,377	0,361				
<b>Raccordements</b>																
Raccordement hydraulique		G 3/8 A				G 3/8 A				G 3/8 A				G 3/8 A		
<b>Limites d'utilisation</b>																
Pression maxi admissible	MPa	1				1				1				1		
<b>Valeurs</b>																
Température d'arrivée max. admissible	$^{\circ}\text{C}$	35				35				35				35		
Activé	l/min	> 1,6				> 2,0				> 2,6				> 2,6		
Pertes de charge avec débit	MPa	0,05				0,06				0,08				0,08		
Débit pour pertes de charge	l/min	1,6				2,0				2,6				2,6		
Limitation du débit à	l/min	2,2				2,8				4,3				4,3		
Eau chaude à disposition	l/min	2,0				2,5				3,2				3,7		
$\Delta\theta$ pour mise à disposition	K	25				25				25				25		
<b>Données hydrauliques</b>																
Capacité nominale	l	0,1				0,1				0,1				0,1		

## INSTALLATION

### Caractéristiques techniques

Versions		EIL 3 Plus	EIL 4 Plus	EIL 6 Plus	EIL 7 Plus
Type de montage sous évier		X	X	X	X
Construction à écoulement libre		X	X	X	X
Construction sous pression		X	X	X	X
Classe de protection		1	1	1	1
Bloc isolant		plastique	plastique	plastique	plastique
Générateur de chaleur système de chauffage		Fil nu	Fil nu	Fil nu	Fil nu
Cache et panneau arrière		plastique	plastique	plastique	plastique
Couleur		blanc	blanc	blanc	blanc
Indice de protection (IP)		IP 25	IP 25	IP 25	IP 25
Dimensions					
Hauteur	mm	143	143	143	143
Largeur	mm	190	190	190	190
Profondeur	mm	82	82	82	82
Longueur du câble de raccordement	mm	700	700	700	700
Poids					
Poids	kg	1,4	1,4	1,4	1,4



#### Remarque

L'appareil est conforme à la norme CEI 61000-3-12.

## Garantie

Les conditions de garantie de nos sociétés allemandes ne s'appliquent pas aux appareils achetés hors d'Allemagne. Au contraire, c'est la filiale chargée de la distribution de nos produits dans le pays qui est seule habilitée à accorder une garantie. Une telle garantie ne pourra cependant être accordée que si la filiale a publié ses propres conditions de garantie. Il ne sera accordé aucune garantie par ailleurs.

Nous n'accordons aucune garantie pour les appareils achetés dans des pays où aucune filiale de notre société ne distribue nos produits. D'éventuelles garanties accordées par l'importateur restent inchangées.

## Environnement et recyclage

▶ Après usage, procédez à l'élimination des appareils et des matériaux conformément à la réglementation nationale.



▶ Si un symbole de poubelle barrée est reproduit sur l'appareil, apportez-le à un point de collecte communal ou un point de reprise du commerce pour qu'il y soit réutilisé ou recyclé.

### Petits appareils électriques



### Gros électroménager (livraison individuelle sur palette)



### Documentation papier



## BIJZONDERE INSTRUCTIES

### BEDIENING

<b>1. Algemene voorschriften</b>	<b>48</b>
1.1 Veiligheidsinstructies	48
1.2 Andere aandachtspunten in deze documentatie	49
1.3 Meeteenheden	49
<b>2. Veiligheid</b>	<b>50</b>
2.1 Reglementair gebruik	50
2.2 Algemene veiligheidsvoorschriften	50
2.3 Keurmerk	51
<b>3. Toestelbeschrijving</b>	<b>51</b>
<b>4. Instellingen</b>	<b>51</b>
<b>5. Reiniging, onderhoud en revisie</b>	<b>51</b>
<b>6. Problemen verhelpen</b>	<b>52</b>

### INSTALLATIE

<b>7. Veiligheid</b>	<b>52</b>
7.1 Algemene veiligheidsvoorschriften	52
7.2 Voorschriften, normen en bepalingen	53
<b>8. Toestelbeschrijving</b>	<b>53</b>
8.1 Leveringsomvang	53
8.2 Toebehoren	53
<b>9. Voorbereidingen</b>	<b>54</b>
<b>10. Montage</b>	<b>54</b>
10.1 Montageplaats	54
10.2 Montagealternatieven	54

10.3 Elektriciteit aansluiten	57
<b>11. Ingebruikname</b>	<b>57</b>
11.1 Eerste ingebruikname	57
11.2 Overdracht van het toestel	58
11.3 Opnieuw in gebruik nemen	58
<b>12. Buitendienststelling</b>	<b>58</b>
<b>13. Storingen verhelpen</b>	<b>58</b>
<b>14. Onderhoud</b>	<b>59</b>
14.1 Het toestel aftappen	59
14.2 Zeef reinigen	60
14.3 Controles volgens VDE 0701/0702	60
14.4 Opslag van het toestel	60
14.5 De elektrische aansluitkabel bij de EIL 6 Plus vervangen	60
<b>15. Technische gegevens</b>	<b>61</b>
15.1 Afmetingen	61
15.2 Schakelschema	61
15.3 Temperatuurverhoging	63
15.4 Toepassingsmogelijkheden	63
15.5 Gegevens over het energieverbruik	64
15.6 Gegevenstabel	65

### GARANTIE

### MILIEU EN RECYCLING

# BIJZONDERE INSTRUCTIES

- Het toestel kan door kinderen vanaf 3 jaar, alsmede door personen met fysieke, zintuiglijke of geestelijke beperkingen of met een gebrek aan ervaring en kennis gebruikt worden, wanneer er toezicht op hen gehouden wordt, of wanneer ze met betrekking tot het veilige gebruik van het toestel getraind zijn en de gevaren die daaruit ontstaan, begrepen hebben. Kinderen mogen niet met het toestel spelen. Kinderen mogen zonder toezicht het toestel niet reinigen noch gebruikersonderhoud uitvoeren.
- De temperatuur van de kraan kan bij gebruik hoger worden dan 50 °C. Bij uitlooptemperaturen van meer dan 43 °C bestaat gevaar voor brandwonden.
- Het toestel is niet geschikt voor de voorziening van een douche (douchewerking).
- Het toestel moet op alle polen met een afstand van minstens 3 mm van de aansluiting van het net kunnen worden losgekoppeld.
- De aangegeven spanning moet overeenkomen met de netspanning.
- Het toestel moet permanent op een vaste bedrading aangesloten worden, uitzondering EIL 3 Plus.
- De stroomkabel mag bij beschadiging of vervanging alleen worden vervangen door een origineel onderdeel en door een installateur die daartoe door de fabrikant gemachtigd is.
- Monteer het toestel zoals beschreven in het hoofdstuk “Installatie / Montage”.
- Neem de maximaal toegelaten druk in acht (zie hoofdstuk “Technische gegevens / Gegevenstabel”).

### Algemene voorschriften

- De specifieke waterweerstand van het watervoorzieningsnetwerk mag niet onderschreden worden (zie hoofdstuk “Installatie / Technische gegevens / Gegevenstabel”).
- Tap het toestel af zoals beschreven in het hoofdstuk “Installatie/onderhoud/het toestel aftappen”.

## BEDIENING

### 1. Algemene voorschriften

Het hoofdstuk “Bediening” is bedoeld voor de gebruiker van het toestel en voor de installateur.

Het hoofdstuk “Installatie” is bedoeld voor de installateur.



#### Info

Lees deze handleiding voor gebruik zorgvuldig door en bewaar deze.

Geef de handleiding door aan een volgende gebruiker indien van toepassing.

### 1.1 Veiligheidsinstructies

#### 1.1.1 Opbouw veiligheidsinstructies



#### TREFWOORD Soort gevaar

Hier worden de mogelijke gevolgen vermeld, wanneer de veiligheidsinstructies genegeerd worden.

► Hier staan maatregelen om gevaren te voorkomen.



## BEDIENING

### Algemene voorschriften

#### 1.1.2 Symbolen, soort gevaar

Symbool	Soort gevaar
	Letsel
	Elektrische schok
	Verbranding (verbranding, verschroeïing)

#### 1.1.3 Trefwoorden

TREFWOORD	Betekenis
GEVAAR	Instructies die leiden tot zwaar letsel of overlijden, wanneer deze niet in acht genomen worden.
WAARSCHUWING	Instructies die kunnen leiden tot zwaar letsel of overlijden, wanneer deze niet in acht genomen worden.
VOORZICHTIG	Instructies die kunnen leiden tot middelmatig zwaar of licht letsel, wanneer deze niet in acht genomen worden.



#### 1.2 Andere aandachtspunten in deze documentatie



##### Info

Aanwijzingen staan tussen horizontale lijnen. Algemene aanwijzingen worden aangeduid met het hiernaast afgebeelde symbool.

► Lees de instructieteksten grondig door.

Symbool	Betekenis
	Materiële schade (toestel-, gevolg-, milieuschade)
	Het toestel afdanken

► Dit symbool geeft aan dat u iets moet doen. De vereiste handelingen worden stap voor stap beschreven.

#### 1.3 Meeteenheden



##### Info

Tenzij anders wordt vermeld, wordt de maateenheid in millimeter aangegeven.

## 2. Veiligheid

### 2.1 Reglementair gebruik

Het toestel is bestemd voor huishoudelijk gebruik. Het kan op een veilige manier bediend worden door personen die niet zijn geïnstrueerd in het gebruik ervan. Het toestel kan ook buiten het huishouden gebruikt worden, bijv. in een klein bedrijf, voor zover het op dezelfde wijze gebruikt wordt.

Het toestel is bestemd voor het opwarmen van drinkwater. Het toestel is bedoeld voor een handwastafel.

Elk ander gebruik dat verder gaat dan wat hier wordt omschreven, geldt als niet reglementair. Onder reglementair gebruik valt ook het in acht nemen van deze handleiding evenals de handleidingen voor het gebruikte toebehoren.

### 2.2 Algemene veiligheidsvoorschriften



#### GEVAAR voor verschroeïng

De temperatuur van het kraanwater kan bij gebruik hoger worden dan 50 °C. Bij uitlooptemperaturen van meer dan 43 °C bestaat gevaar voor brandwonden.



#### WAARSCHUWING letsel

Het toestel kan door kinderen vanaf 3 jaar, alsmede door personen met fysieke, zintuiglijke of geestelijke beperkingen of met een gebrek aan ervaring en kennis gebruikt worden, wanneer er toezicht op hen gehouden wordt, of wanneer ze met betrekking tot het veilige gebruik van het toestel getraind zijn en de gevaren die daaruit ontstaan, begrepen hebben. Kinderen mogen niet met het toestel spelen. Kinderen mogen zonder toezicht het toestel niet reinigen noch gebruikersonderhoud uitvoeren.



#### GEVAAR Elektrische schok

Een beschadigde elektrische aansluitkabel moet door een vakman worden vervangen. Daardoor worden mogelijke risico's uitgesloten.



#### Materiële schade

Bescherm het toestel en de kraan tegen vorst.



#### Materiële schade

Gebruik alleen de meegeleverde speciale straalregelaar. Voorkom kalkaanslag aan de kraanuitlopen (zie het hoofdstuk "Reiniging, verzorging en onderhoud").

### 2.3 Keurmerk

Zie het typeplaatje op het toestel.

## 3. Toestelbeschrijving

De hydraulisch gestuurde mini-doorstroomer verwarmt het water direct bij het tappunt. Bij het openen van de kraan wordt het verwarmingsvermogen automatisch ingeschakeld. Door het korte leidingtraject ontstaan slechts geringe energie- en waterverliezen.

Het warmwatervermogen is afhankelijk van de koudwaterinloop-temperatuur, het verwarmingsvermogen en het doorstroomvolume.

Het blankdraadelement is geschikt voor kalkarm en kalkhoudend water. Het verwarmingssysteem is in grote mate ongevoelig voor verkalking. Het verwarmingssysteem zorgt voor een snelle en efficiënte warmwateraanbieding aan de handwastafel.

De inbouw van de meegeleverde speciale straalregelaar resulteert in een optimale waterstraal.

## 4. Instellingen

Zodra u de warmwaterkraan opendraait of de sensor van een sensorkraan activeert, wordt automatisch het verwarmingssysteem van het toestel ingeschakeld. Het water wordt verwarmd. U kunt de temperatuur van het water met de kraan instellen:

Zie voor de tapdrempel het hoofdstuk “Technische gegevens/gegevenstabel”.

### Temperatuur verhogen

- ▶ Smoor het doorstroomvolume bij de kraan.

### Temperatuur verlagen

- ▶ Draai de kraan verder open of meng meer koud water bij.

### Na onderbreking van de watertoevoer

Zie het hoofdstuk “Ingebruikname/opnieuw in gebruik nemen”.

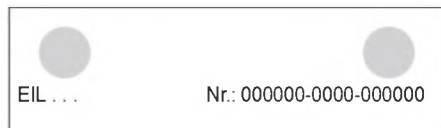
## 5. Reiniging, onderhoud en revisie

- ▶ Gebruik geen schurende reinigingsmiddelen of reinigingsmiddelen die oplosmiddelen bevatten. Een vochtige doek volstaat om het toestel te onderhouden en te reinigen.
- ▶ Controleer regelmatig de kranen. Verwijder kalk op de kraanuitlopen met in de handel verkrijgbare ontkalkingsmiddelen.
- ▶ Laat de elektrische veiligheid van het toestel periodiek controleren door een installateur.
- ▶ Ontkalk of vervang de speciale straalregelaar van de kraan regelmatig (zie het hoofdstuk “Toestelbeschrijving/accessoires”).

### 6. Problemen verhelpen

Probleem	Oorzaak	Oplossing
Toestel schakelt niet maar de kraan staat open.	Het toestel heeft geen spanning.	Controleer de zekering van de huisinstallatie.
	De straalregelaar in de kraan is vuil of verkalkt.	Reinig en/of ontkalk de straalregelaar of vervang de speciale straalregelaar.
	De watervoorziening is onderbroken.	Ontlucht het toestel en de koudwatertoevoerleiding (zie het hoofdstuk "Instellingen").

Neem contact op met de installateur als u de oorzaak van het probleem zelf niet kunt verhelpen. Hij kan u sneller en beter helpen als u hem het nummer op het typeplaatje doorgeeft (000000-0000-00000).



## INSTALLATIE

### 7. Veiligheid

Installatie, ingebruikname, onderhoud en reparatie van het toestel mogen alleen door een gekwalificeerde installateur uitgevoerd worden.

#### 7.1 Algemene veiligheidsvoorschriften

Wij waarborgen de goede werking en de bedrijfszekerheid uitsluitend bij gebruik van originele onderdelen en reserveonderdelen voor het toestel.



#### Materiële schade

Houd rekening met de max. toegelaten aanvoertemperatuur. Bij hogere temperaturen kan het toestel beschadigd raken. Met een centrale thermostaatkraan kunt u de aanvoertemperatuur begrenzen.

# INSTALLATIE

## Toestelbeschrijving

### 7.2 Voorschriften, normen en bepalingen



#### Info

Neem alle nationale en regionale voorschriften en bepalingen in acht.

De specifieke elektrische weerstand van het water mag niet lager zijn dan de waarde die vermeld staat op het typeplaatje. Bij een water-koppelnets moet rekening worden gehouden met de laagste elektrische weerstand van het water (zie het hoofdstuk "Technische gegevens/gegevenstabel"). De specifieke elektrische weerstand of het elektrisch geleidend vermogen van het water kunt u opvragen bij uw watermaatschappij.

## 8. Toestelbeschrijving

### 8.1 Leveringsomvang

Bij het toestel wordt het volgende geleverd:

- Zeef in de koudwatertoevoer
- Speciale straalregelaar
- Aansluitslang 3/8, 500 mm lang, met dichtingen\*
- T-stuk 3/8\*

\* voor de aansluiting als drukvast toestel

### 8.2 Toebehoren

#### Speciale straalregelaar



#### Info

De inbouw van de speciale straalregelaar in de kraan resulteert in een optimale waterstraal.

#### Kranen

- Gebruik geschikte kranen.

#### Drukvast armaturen

Geschikte drukvast armaturen vindt u in de vakhandel.

#### Drukloze kranen

- MAW (OT) - drukloze muurkraan
- MAZ (UT) - drukloze tweegreeps-wastafelkraan
- MAE-W (UTE) - drukloze ééngreeps-wastafelkraan

## INSTALLATIE

# Vorbereidingen

### 9. Vorbereidingen

- Spoel de waterleiding grondig door.

#### Waterinstallatie

Een veiligheidsventiel is niet noodzakelijk.

### 10. Montage

#### 10.1 Montageplaats

Monteer het toestel in een vorstvrije ruimte in de nabijheid van het aftappunt.

Zorg ervoor dat de bevestigingsschroeven aan de zijkant van de kappen bereikbaar blijven.

Het toestel is alleen geschikt voor onderbouwmontage (wateraansluitingen aan de bovenkant).

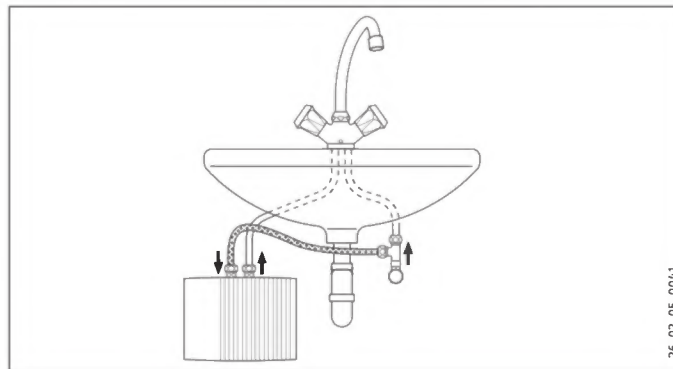


**GEVAAR Elektrische schok**  
De beschermingsgraad IP25 is enkel gewaarborgd als de achterwand van het toestel is gemonteerd.

- Monteer altijd de achterwand van het toestel.

#### 10.2 Montagealternatieven

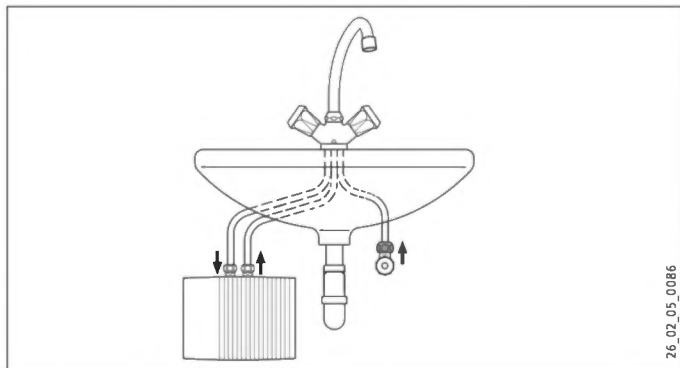
##### Ondermontage, drukvast, met drukvaste kraan



# INSTALLATIE

## Montage

### Ondermontage, drukloos, met drukloze kraan



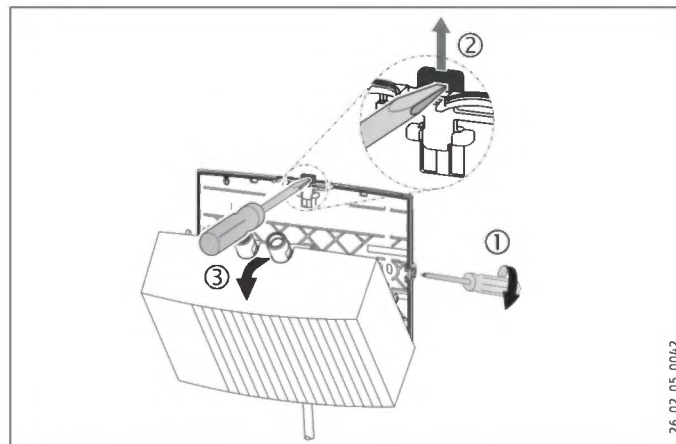
#### 10.2.1 Montage van het toestel



#### Info

De muur moet voldoende draagvermogen hebben.

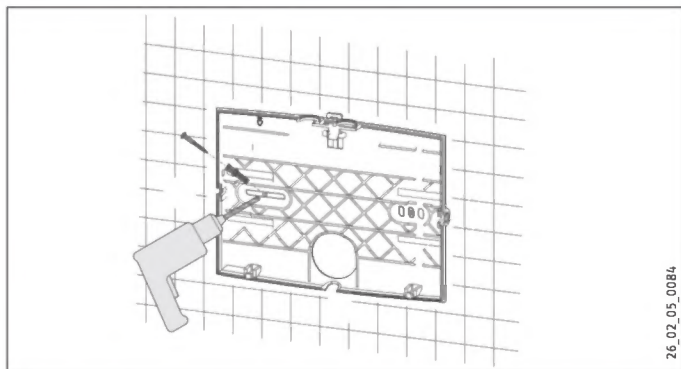
- ▶ Monteer het toestel aan de muur.



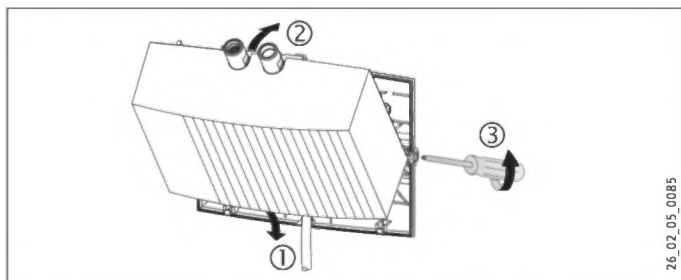
- ▶ Draai de bevestigingsschroeven van de kappen twee slagen los.
- ▶ Ontgrendel de knipsluiting met een schroevendraaier.
- ▶ Verwijder de toestelkap met het verwarmingssysteem naar voren.
- ▶ Breek de doorvoeropening in de toestelkap voor de elektrische aansluitkabel uit met een tang. Werk de rand zo nodig bij met een vijl.

# INSTALLATIE

## Montage



- ▶ Gebruik de achterwand van het toestel als boorsjabloon.
- ▶ Monteer de achterwand met geschikte pluggen en schroeven op de muur.



- ▶ Leid de elektrische aansluitkabel door de doorvoeropening in de achterwand.
- ▶ Haak de toestelkap met het verwarmingssysteem onder in.
- ▶ Klik het verwarmingssysteem in de knipsluiting.
- ▶ Zet de toestelkap vast met de bevestigingsschroeven.

### 10.2.2 Montage van de kraan



#### Materiële schade

Bij het vastzetten van de aansluitingen dient u deze bij het toestel tegen te houden met een sleutel SW 14.

#### Drukvraste aansluiting

- ▶ Monteer de meegeleverde aansluitslang 3/8 en het T-stuk 3/8.
- ▶ Monteer de kraan. Neem de instructies in de Bedienings- en installatiehandleiding van de kraan in acht.

#### Drukloze aansluiting

- ▶ Monteer de kraan. Neem de instructies in de Bedienings- en installatiehandleiding van de kraan in acht.



### 10.3 Elektriciteit aansluiten



**GEVAAR Elektrische schok**  
Voer alle werkzaamheden voor elektriciteitsaansluitingen en montage uit conform de voorschriften.



**GEVAAR Elektrische schok**  
Zorg ervoor dat het toestel is aangesloten op de aardleiding.  
Het toestel moet op alle polen met een afstand van minstens 3 mm van de aansluiting van het net kunnen worden losgekoppeld.



**GEVAAR Elektrische schok**  
De toestellen worden geleverd met een elektrische aansluitkabel (EIL 3 Plus met stekker).  
Een aansluiting op een vaste elektrische leiding is mogelijk, als die minstens dezelfde diameter heeft als de standaardaansluitkabel. De maximale kabeldoorsnede bedraagt 3 x 6 mm<sup>2</sup>.



**Materiële schade**  
Zorg er bij aansluiting op een geaard stopcontact (bij toepassing van een elektrische aansluitkabel met stekker) voor dat het geaarde stopcontact na installatie van het toestel vrij toegankelijk is.



**Materiële schade**  
Houd rekening met de specificaties op het typeplaatje. De aangegeven spanning moet overeenkomen met de netspanning.

- ▶ Sluit de elektrische aansluitkabel conform het elektriciteits-schakelschema aan (zie het hoofdstuk “Technische gegevens / elektriciteits-schakelschema”).

## 11. Ingebruikname

### 11.1 Eerste ingebruikname



- ▶ Vul het toestel en tap meerdere keren water af via de kraan tot het leidingnet en het toestel lucht vrij zijn.
- ▶ Voer een dichtheidscontrole uit.
- ▶ Steek de stekker van de elektrische aansluitkabel, als die is toegepast, in het geaarde stopcontact of schakel de zekering in.
- ▶ Controleer de werkmodus van het toestel.

### 11.2 Overdracht van het toestel

- ▶ Leg aan de gebruiker de werking van het toestel uit en maak hem vertrouwd met het gebruik ervan.
- ▶ Wijs de gebruiker op mogelijke gevaren, met name het gevaar voor brandwonden.
- ▶ Overhandig hem deze handleiding.

### 11.3 Opnieuw in gebruik nemen



#### Materiële schade

Neem het toestel met de volgende stappen weer in gebruik als de watervoorziening onderbroken is geweest, zodat het blankdraadelement niet kapot gaat.

- ▶ Schakel het toestel spanningsvrij. Trek de stekker van de elektrische aansluitkabel, als die is toegepast, uit het gearrede stopcontact of schakel de zekering uit.
- ▶ Zie hoofdstuk “Eerste ingebruikname”.

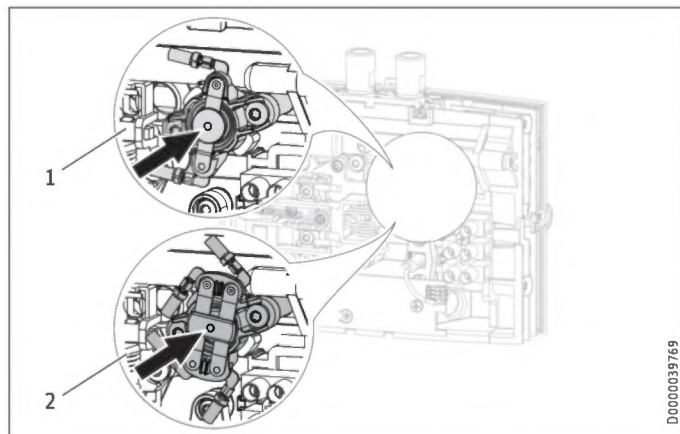
## 12. Buitendienststelling

- ▶ Koppel het toestel met de zekering los van de huisinstallatie of trek de stekker van de elektrische aansluitkabel uit het stopcontact.
- ▶ Tap het toestel af (zie het hoofdstuk “Onderhoud”).

## 13. Storingen verhelpen

Probleem	Oorzaak	Oplossing
Toestel schakelt niet maar de kraan staat open.	De straalregelaar in de kraan is vuil of verkalkt.	Reinig en/of ontkalk de straalregelaar of vervang de speciale straalregelaar.
	De zeef in de koudwaterleiding is verstopt.	Reinig de zeef nadat u de koudwateraanvoerleiding hebt afgesloten.
	Het verwarmingssysteem is defect.	Meet de weerstand van het verwarmingssysteem en vervang zo nodig het toestel.
	De veiligheidstemperatuurbegrenzer is geactiveerd.	Los de oorzaak van de storing op. Maak het toestel spanningsvrij en ontlast de waterleiding. Activeer de veiligheidsdrukbegrenzer.

### De veiligheidsdrukbegrenzer activeren



- 1 1-polige veiligheidsdrukbegrenzer EIL 4 Plus / EIL 6 Plus
- 2 2-polige veiligheidsdrukbegrenzer EIL 3 Plus / EIL 7 Plus

## 14. Onderhoud



**GEVAAR Elektrische schok**  
Scheid alle polen van het toestel van het elektriciteitsnet voor aanvang van alle werkzaamheden.

### 14.1 Het toestel aftappen



**GEVAAR voor verschroeijing**  
Tijdens het aftappen kan er heet water uit het toestel lopen.

Ga als volgt te werk als het toestel voor onderhoudswerkzaamheden of als bescherming tegen vorst van de volledige installatie afgetapt moet worden:

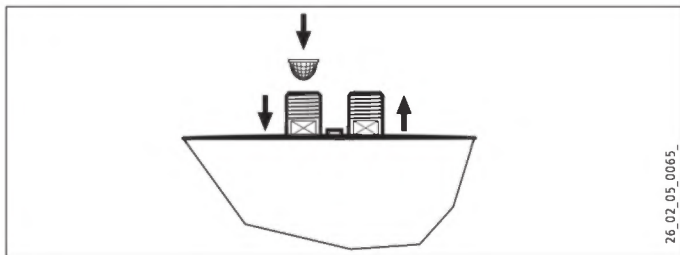
- ▶ Sluit de afsluitklep in de koudwatertoevoerleiding.
- ▶ Open het aftapventiel.
- ▶ Maak de wateraansluitingen van het toestel los.

## INSTALLATIE

### Onderhoud

#### 14.2 Zeef reinigen

U kunt de ingebouwde zeef reinigen nadat de koudwateraansluiting is losgekoppeld.



#### 14.3 Controles volgens VDE 0701/0702

##### Controle van de aardleiding

- ▶ Controleer de aardleiding (in Duitsland bijv. DGUV A3) op het aardleidingscontact van de elektrische aansluitkabel en bij de aansluitstomp van het toestel.

##### Isolatieweerstand

- ▶ Als een toestel met een nominaal verwarmingsvermogen van > 3,5 kW de isolatieweerstand von 300 kΩ niet bereikt, adviseren we de isolatie-eigenschappen van dit toestel door middel van een verschilstroommeting van de aardleidingstroom / lekstroom volgens VDE 0701/0702 (afbeelding C.3b) uit te voeren.

#### 14.4 Opslag van het toestel

- ▶ Een gedemonteerd toestel moet vorstvrij bewaard worden, want er kan restwater in het toestel zitten dat kan bevriezen en daardoor schade kan veroorzaken.

#### 14.5 De elektrische aansluitkabel bij de EIL 6 Plus vervangen

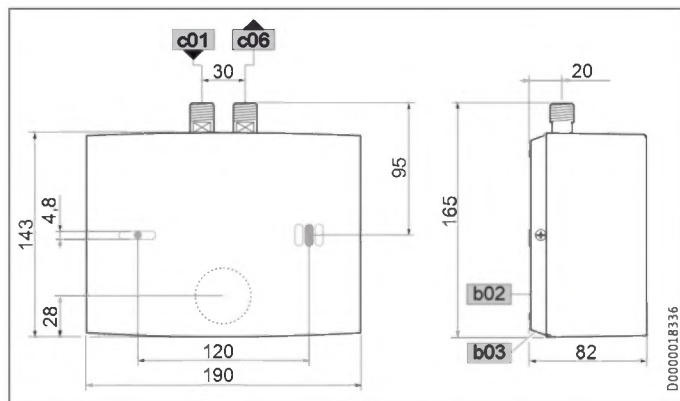
- ▶ Bij de EIL 6 Plus moet bij vervanging een elektrische aansluitkabel met een diameter van 4 mm<sup>2</sup> worden gebruikt.

# INSTALLATIE

## Technische gegevens

### 15. Technische gegevens

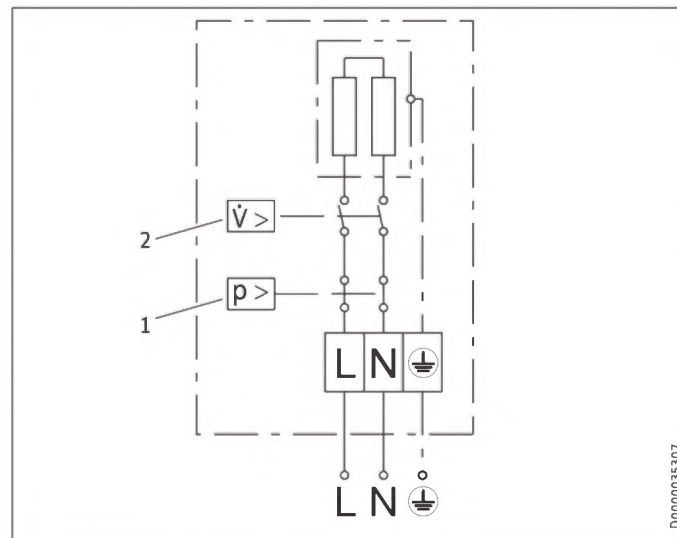
#### 15.1 Afmetingen



b02	Doorvoer elektr.kabels I		
b03	Doorvoer elektr.kabels II		
c01	Koudwatertoevoer	Buitendraad	G 3/8 A
c06	Warmwateruitloop	Buitendraad	G 3/8 A

#### 15.2 Schakelschema

##### 15.2.1 EIL 3 Plus 1/N/PE ~ 200-240 V

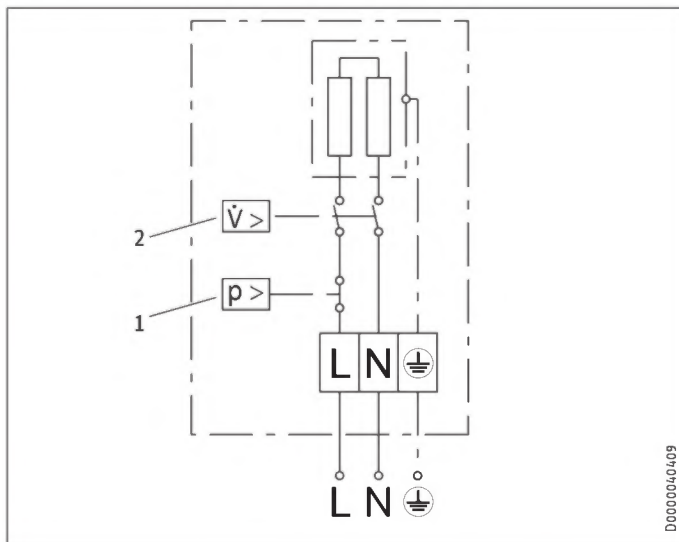


- 1 Veiligheidsdrukbeugner
- 2 Drukschakelaar

# INSTALLATIE

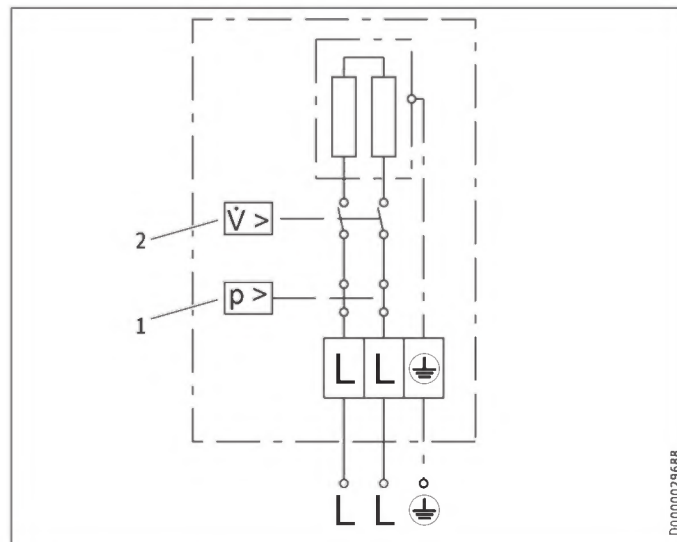
## Technische gegevens

### 15.2.2 EIL 4 Plus en EIL 6 Plus 1/N/PE ~ 200-240 V



- 1 Veiligheidsdrukbegrenzer
- 2 Drukschakelaar

### 15.2.3 EIL 7 Plus 2/PE ~ 380-415 V



- 1 Veiligheidsdrukbegrenzer
- 2 Drukschakelaar



#### Materiële schade

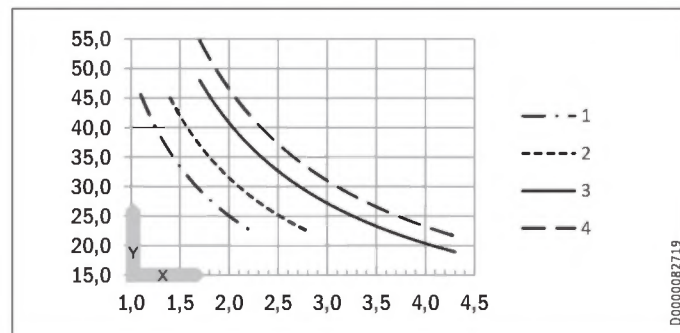
- Bij een vaste aansluiting sluit u de elektrische aansluitkabel aan conform de beschrijving bij de klemmen.

# INSTALLATIE

## Technische gegevens

### 15.3 Temperatuurverhoging

De volgende temperatuurverhogingen zijn beschikbaar bij een spanning van 230 V / 400 V:



- X Debiet in l/min  
 Y Temperatuurverhoging in K
- 1 3,5 kW - 230 V
  - 2 4,4 kW - 230 V
  - 3 5,7 kW - 230 V
  - 4 6,5 kW - 400 V

#### Voorbeeld EIL 3 Plus met 3,5 kW

Debiet	l/min	2,0
Temperatuurverhoging	K	25
Koudwater-toevoertemperatuur	°C	12
Maximaal mogelijke uitlooptemperatuur	°C	37

### 15.4 Toepassingsmogelijkheden

Zie de “Gegevenstabel” voor de specifieke elektrische weerstand en specifieke elektrische geleidbaarheid.

Genormeerde waarde bij 15 °C			20 °C			25 °C		
Spec. weerstand $\rho \geq$	Spec. geleidbaarheid $\sigma \leq$		Spec. weerstand $\rho \geq$	Spec. geleidbaarheid $\sigma \leq$		Spec. weerstand $\rho \geq$	Spec. geleidbaarheid $\sigma \leq$	
$\Omega \text{ cm}$	mS/m	$\mu\text{S/cm}$	$\Omega \text{ cm}$	mS/m	$\mu\text{S/cm}$	$\Omega \text{ cm}$	mS/m	$\mu\text{S/cm}$
1100	91	909	970	103	1031	895	112	1117

### 15.5 Gegevens over het energieverbruik

Productgegevensblad: Conventionele warmwaterbereider volgens verordening (EU) nr. 812/2013 | 814/2013

		EIL 3 Plus	EIL 4 Plus	EIL 6 Plus	EIL 7 Plus
		200138	200139	200140	200141
Fabrikant		STIEBEL ELTRON	STIEBEL ELTRON	STIEBEL ELTRON	STIEBEL ELTRON
Tapprofiel		XXS	XXS	XXS	XS
Energieklasse		A	A	A	A
Energetisch rendement	%	39	39	39	40
Jaarlijks stroomverbruik	kWh	478	478	478	467
Geluidsniveau	dB(A)	15	15	15	15
Bijzondere aanwijzingen voor efficiëntiemeting		Geen	Geen	Geen	Geen
Dagelijks stroomverbruik	kWh	2,200	2,200	2,200	2,130



# INSTALLATIE

## Technische gegevens

### 15.6 Gegevenstabel

		EIL 3 Plus				EIL 4 Plus				EIL 6 Plus				EIL 7 Plus		
		200138				200139				200140				200141		
<b>Elektrische gegevens</b>																
Nominale spanning	V	200	220	230	240	200	220	230	240	200	220	230	240	380	400	415
Nominaal vermogen	kW	2,7	3,2	3,53	3,8	3,3	4,0	4,4	4,8	4,3	5,2	5,7	6,2	5,9	6,5	7,0
Nominale stroom	A	13,3	14,5	15,2	15,8	16,7	18,2	19,1	20	21,6	23,6	24,7	25,8	15,5	16,3	16,9
Zekering	A	16				20				25	25	25	32	16	20	20
Frequentie	Hz	50/60				50/60				50/60				50/60	50/60	50/-
Fasen		1/N/PE				1/N/PE				1/N/PE				2/PE		
Specifieke weerstand $\rho_{15} \geq$	$\Omega$ cm	1100				1100				1100				1100		
Specifieke geleidbaarheid $\sigma_{15} \leq$	$\mu S/cm$	909				909				909				909		
Max. netimpedantie bij 50Hz	$\Omega$									0,394	0,377	0,361				
<b>Aansluitingen</b>																
Wateraansluiting		G 3/8 A				G 3/8 A				G 3/8 A				G 3/8 A		
<b>Werkingsgebied</b>																
Max. toegelaten druk	MPa	1				1				1				1		
<b>Waarden</b>																
Max. toegelaten toevoertemperatuur	$^{\circ}C$	35				35				35				35		
Aan	l/min	> 1,6				> 2,0				> 2,6				> 2,6		
Drukverlies bij debiet	MPa	0,05				0,06				0,08				0,08		
Debiet voor drukverlies	l/min	1,6				2,0				2,6				2,6		
Debietbegrenzing bij	l/min	2,2				2,8				4,3				4,3		
Warmwateraanbieding	l/min	2,0				2,5				3,2				3,7		
$\Delta\theta$ bij aanbieding	K	25				25				25				25		
<b>Hydraulische gegevens</b>																
Nominale inhoud	l	0,1				0,1				0,1				0,1		

## INSTALLATIE

### Technische gegevens

		EIL 3 Plus	EIL 4 Plus	EIL 6 Plus	EIL 7 Plus
<b>Uitvoeringen</b>					
Montage onder het aftappunt		X	X	X	X
Uitvoering open		X	X	X	X
Uitvoering gesloten		X	X	X	X
Beveiligingsklasse		1	1	1	1
Isolatieblok		Kunststof	Kunststof	Kunststof	Kunststof
Verwarmingssysteem warmte-opwekker		Blankdraad	Blankdraad	Blankdraad	Blankdraad
Kap en achterwand		Kunststof	Kunststof	Kunststof	Kunststof
Kleur		wit	wit	wit	wit
Beschermingsgraad (IP)		IP 25	IP 25	IP 25	IP 25
<b>Afmetingen</b>					
Hoogte	mm	143	143	143	143
Breedte	mm	190	190	190	190
Diepte	mm	82	82	82	82
Lengte aansluitkabel	mm	700	700	700	700
<b>Gewichten</b>					
Gewicht	Kg	1,4	1,4	1,4	1,4



#### Info

Het toestel voldoet aan IEC 61000-3-12.

### Garantie

Voor toestellen die buiten Duitsland zijn gekocht, gelden de garantievoorwaarden van onze Duitse ondernemingen niet. Bovendien kan in landen waar één van onze dochtermaatschappijen verantwoordelijk is voor de verkoop van onze producten, alleen garantie worden verleend door deze dochtermaatschappij. Een dergelijk garantie wordt alleen verstrekt, wanneer de dochtermaatschappij eigen garantievoorwaarden heeft gepubliceerd. In andere situaties wordt er geen garantie verleend.

Voor toestellen die in landen worden gekocht waar wij geen dochtermaatschappijen hebben die onze producten verkopen, verlenen wij geen garantie. Een eventueel door de importeur verzekerde garantie blijft onverminderd van kracht.

### Milieu en recycling

► Gooi het toestel en de materialen na gebruik weg conform de nationale voorschriften.



► Wanneer op het toestel een doorgestreepte vuilcontainer is afgebeeld, brengt u het toestel voor hergebruik en recycling naar de gemeentelijke inzamelpunten of terugnamepunten in de handel.



Dit document bestaat uit recyclebaar papier.

► Gooi het document na de levenscyclus van het toestel overeenkomstig de nationale voorschriften weg.

## ŠPECIÁLNE POKYNY

### OBSLUHA

<b>1. Všeobecné pokyny</b>	<b>70</b>
1.1 Bezpečnostné pokyny	70
1.2 Iné označenia v tejto dokumentácii	71
1.3 Rozmerové jednotky	71
<b>2. Bezpečnosť</b>	<b>72</b>
2.1 Použitie v súlade s určením	72
2.2 Všeobecné bezpečnostné pokyny	72
2.3 Certifikačné značky	72
<b>3. Popis zariadenia</b>	<b>73</b>
<b>4. Nastavenia</b>	<b>73</b>
<b>5. Čistenie, ošetrovanie a údržba</b>	<b>73</b>
<b>6. Odstraňovanie problémov</b>	<b>74</b>

### INŠTALÁCIA

<b>7. Bezpečnosť</b>	<b>74</b>
7.1 Všeobecné bezpečnostné pokyny	74
7.2 Predpisy, normy a ustanovenia	75
<b>8. Popis zariadenia</b>	<b>75</b>
8.1 Rozsah dodávky	75
8.2 Príslušenstvo	75
<b>9. Prípravy</b>	<b>76</b>
<b>10. Montáž</b>	<b>76</b>
10.1 Miesto montáže	76
10.2 Alternatívy montáže	76

10.3 Vytvorenie elektrickej prípojky	79
<b>11. Uvedenie do prevádzky</b>	<b>79</b>
11.1 Prvé uvedenie do prevádzky	79
11.2 Odovzdanie zariadenia	80
11.3 Opätovné uvedenie do prevádzky	80
<b>12. Vyradenie z prevádzky</b>	<b>80</b>
<b>13. Odstraňovanie porúch</b>	<b>80</b>
<b>14. Údržba</b>	<b>81</b>
14.1 Vypustenie zariadenia	81
14.2 Vyčistite sitko	82
14.3 Kontroly podľa VDE 0701/0702	82
14.4 Skladovanie prístroja	82
14.5 Výmena elektrických napájacích káblov na module EIL 6 Plus	82
<b>15. Technické údaje</b>	<b>83</b>
15.1 Rozmery	83
15.2 Elektrická schéma zapojenia	83
15.3 Zvýšenie teploty	85
15.4 Oblasť použitia	85
15.5 Údaje k spotrebe energie	86
15.6 Tabuľka s údajmi	87

### ZÁRUKA

### ŽIVOTNÉ PROSTREDIE A RECYKLÁCIA

# ŠPECIÁLNE POKYNY

- Deti od 3 rokov ako aj osoby so zníženými fyzickými, senzorickými či mentálnymi schopnosťami, alebo osoby s nedostatočnými skúsenosťami a vedomosťami môžu zariadenie používať pod dozorom, prípadne ak boli o bezpečnom používaní zariadenia poučené a porozumeli z toho vyplývajúcim nebezpečenstvám. Deti sa so zariadením nesmú hrať. Čistenie a používateľskú údržbu nesmú vykonávať deti bez dozoru.
- Armatúra môže počas prevádzky nadobudnúť teplotu viac ako 50 °C. Pri výtokových teplotách vyšších než 43 °C vzniká nebezpečenstvo obarenia.
- Prístroj nie je vhodný na zásobovanie sprchy (sprchový režim).
- Zariadenie sa musí dať odpojiť od siete všetkými pólmi s minimálnou odpojovacou vzdialenosťou 3 mm.
- Uvedené napätie sa musí zhodovať so sieťovým napätím.
- Prístroj musí byť trvalo pripojený na pevnú kabeláž, s výnimkou modulu EIL 3 Plus.
- Pri poškodení alebo výmene môže sieťový pripojovací kábel nahradiť originálnym náhradným dielom iba odborný inštalatér oprávnený výrobcom.
- Upevnite prístroj tak, ako je popísané v kapitole „Inštalácia / Montáž“.
- Dodržiavajte maximálny prípustný tlak (pozri kapitolu „Technické údaje / Tabuľka s údajmi“).

- Nesmie dôjsť k poklesu hodnoty pod špecifický vodný odpor vodovodnej zásobovacej siete (pozri kapitolu „Inštalácia / Technické údaje / Tabuľka s údajmi“).
- Vypustite zariadenie tak, ako je popísané v kapitole „Inštalácia / Údržba / Vypustenie zariadenia“.

## OBSLUHA

### 1. Všeobecné pokyny

Kapitola Obsluha je určená používateľovi prístroja a odbornému remeselníkovi.

Kapitola „Inštalácia“ je určená odbornému montážnikovi.



#### Upozornenie

Pred použitím si dôkladne prečítajte tento návod a uschovejte ho.

Tento návod prípadne odovzdajte nasledujúcemu používateľovi.

### 1.1 Bezpečnostné pokyny

#### 1.1.1 Štruktúra bezpečnostných pokynov



#### SIGNÁLNE SLOVO Druh nebezpečenstva




Tu sú uvedené možné následky pri nerešpektovaní bezpečnostných pokynov.

► Tu sú uvedené opatrenia na odvrátenie nebezpečenstva.

# OBSLUHA

## Všeobecné pokyny

### 1.1.2 Symboly, druh nebezpečenstva

Symbol	Druh nebezpečenstva
	Poranenie
	Zásah elektrickým prúdom
	Popálenie (popálenie, obarenie)

### 1.1.3 Signálne slová

SIGNÁLNE SLOVO	Význam
NEBEZPEČEN-STVO	Pokyny, ktorých nedodržiavanie má za následok ťažké poranenia alebo smrť.
VÝSTRAHA	Pokyny, ktorých nerešpektovanie môže mať za následok ťažké poranenia alebo smrť.
POZOR	Pokyny, ktorých nedodržiavanie môže viesť k stredne ťažkým alebo ľahkým poraneniam.

### 1.2 Iné označenia v tejto dokumentácii



#### Upozornenie

Upozornenia sú ohraničené horizontálnymi čiarami nad a pod textom. Všeobecné pokyny sú označené vedľa uvedeným symbolom.

► Pozorne si prečítajte texty upozornení.

Symbol

Význam



Vecné škody

(škody na zariadení, následné škody, škody na životnom prostredí)



Likvidácia zariadenia

► Tento symbol vám signalizuje, že musíte niečo urobiť. Potreb-  
né postupy sú popísané krok za krokom.

### 1.3 Rozmerové jednotky



#### Upozornenie

Ak nie je uvedené inak, použitá jednotka miery je milimeter.

## 2. Bezpečnosť

### 2.1 Použitie v súlade s určením

Zariadenie je určené na používanie v domácom prostredí. Bezpečne ho môžu používať aj osoby, ktoré neboli o používaní poučené. Zariadenie sa môže používať aj v inom ako domácom prostredí, napr. v malých prevádzkach, ak sa používa rovnakým spôsobom.

Prístroj slúži na ohrev pitnej vody. Prístroj je určený pre umývadlo.

Iné použitie alebo použitie nad určený rámec sa pokladá za použitie v rozpore s určením. K použitiu v súlade s určením patrí aj dodržiavanie tohto návodu, ako aj návodov pre použité príslušenstvo.

### 2.2 Všeobecné bezpečnostné pokyny



**NEBEZPEČENSTVO Obarenie**  
Armatúra môže počas prevádzky nadobudnúť teplotu viac ako 50 °C. Pri výtokových teplotách vyšších než 43 °C vzniká nebezpečenstvo obarenia.



#### VÝSTRAHA Poranenie

Deti od 3 rokov ako aj osoby so zníženými fyzickými, senzorickými či mentálnymi schopnosťami, alebo osoby s nedostatočnými skúsenosťami a vedomosťami môžu zariadenie používať pod dozorom, prípadne ak boli o bezpečnom používaní zariadenia poučené a porozumeli z toho vyplývajúcim nebezpečenstvám. Deti sa so zariadením nesmú hrať. Čistenie a používateľskú údržbu nesmú vykonávať deti bez dozoru.



#### NEBEZPEČENSTVO Zásah elektrickým prúdom

Poškodené elektrické napájacie káble musí vymeniť odborný remeselník. Vďaka tomu sa vylúči možné ohrozenie.



#### Materiálne škody

Prístroj a armatúru chráňte pred mrazom.



#### Materiálne škody

Používajte iba dodaný špeciálny prúdový regulátor. Predchádzajte zavápneniu výtokov armatúry (pozri kapitolu „Čistenie, ošetrovanie a údržba“).

### 2.3 Certifikačné značky

Pozri typový štítok na zariadení.



### 3. Popis zariadenia

Hydraulicky riadený mini prietokový ohrievač ohrieva vodu priamo na odbornom mieste. Pri otvorení armatúry sa automaticky zapne ohrievací výkon. Vďaka krátkym rozvodom dochádza k minimálnym energetickým a tepelným stratám.

Teplovodný výkon závisí od teploty studenej vody, ohrievacieho výkonu a prietokového množstva.

Ohrievací systém neizolovaným vodičom je určený pre vodu s vysokým aj nízkym obsahom vápnika. Ohrevný systém je do veľkej miery odolný voči zavrúpaniu. Ohrevný systém zabezpečuje rýchlu a efektívnu prípravu teplej vody pre umývadlo.

Namontovaním priloženého špeciálneho prúdového regulátora dosiahnete optimálny prúd vody.

### 4. Nastavenia

Hneď ako otvoríte teplovodný ventil na armatúre alebo aktivujete snímač senzorevej armatúry, automaticky sa zapne ohrevný systém prístroja. Voda sa ohreje. Teplotu vody môžete meniť pomocou armatúry:

Zapínacie množstvo pozri v kapitole Technické údaje / Tabuľka s údajmi / Zapnutie.

#### Zvýšenie teploty

- Pomocou armatúry znížte prietokové množstvo.

#### Zníženie teploty

- Otvorte viac armatúru alebo primiešajte viac studenej vody.

#### Po prerušení zásobovania vodou

Pozri kapitolu Uvedenie do prevádzky / Opätovné uvedenie do prevádzky.

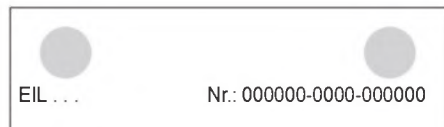
### 5. Čistenie, ošetrovanie a údržba

- Nepoužívajte čistiace prostriedky s obsahom abrazívnych látok alebo rozpúšťadiel. Na ošetrovanie a čistenie zariadenia vám postačí vlhká utierka.
- Pravidelne kontrolujte armatúry. Vápnik na výtoku armatúr môžete odstrániť pomocou bežných odvápnovacích prostriedkov.
- Nechajte odborného montážnika pravidelne skontrolovať elektrickú bezpečnosť na zariadení.
- Špeciálny prúdový regulátor v armatúre pravidelne odvápnujte alebo ho vymieňajte za nový (pozri kapitolu Popis prístroja / Príslušenstvo).

## 6. Odstraňovanie problémov

Problém	Príčina	Odstránenie
Zariadenie sa aj napriek úplne otvorenému teplovodnému ventilu nezapína.	Na zariadení nie je prítomné žiadne napätie.	Skontrolujte poistku domovej inštalácie.
	Prúdový regulátor v armatúre je zavápný alebo zanesený.	Vyčistite a/alebo odvápnite prúdový regulátor alebo ho vymeňte za nový.
	Zásobovanie vodou je prerušené.	Odvzdušnite prístroj a prívod studenej vody (pozri kapitolu Nastavenia).

Ak neviete príčinu odstrániť, zavolajte odborného montážnika. Kvôli lepšej a rýchlejšej pomoci uveďte číslo z typového štítku (000000-0000-00000).



## INŠTALÁCIA

### 7. Bezpečnosť

Inštaláciu, uvedenie do prevádzky ako aj údržbu a opravu zariadenia smie vykonávať iba odborný montážnik.

#### 7.1 Všeobecné bezpečnostné pokyny

Bezchybnú funkciu a prevádzkovú bezpečnosť zaručujeme len vtedy, ak sa používa originálne príslušenstvo a originálne náhradné diely, ktoré sú pre prístroj určené.



#### Materiálne škody

Dodržiavajte maximálnu prípustnú prívodnú teplotu. Pri vyšších teplotách sa zariadenie môže poškodiť. Prostredníctvom centrálnej termostatickej armatúry môžete obmedziť prívodnú teplotu.

### 7.2 Predpisy, normy a ustanovenia



#### Upozornenie

Dbajte na všetky vnútroštátne a regionálne predpisy a ustanovenia.

Špecifický elektrický odpor vody nesmie byť nižší ako jeho hodnota uvedená na typovom štítku. Pri prepojenej vodovodnej sieti musíte zohľadňovať najnižší elektrický odpor vody (pozri kapitolu Technické údaje / Tabuľka s údajmi). Špecifický elektrický odpor alebo elektrickú vodivosť vody sa dozviete od vodárenskej spoločnosti, ktorá vás zásobuje vodou.

## 8. Popis zariadenia

### 8.1 Rozsah dodávky

So zariadením sa dodáva:

- Sito v prívide studenej vody
- Špeciálny prúdový regulátor
- Pripojovacia hadica, dĺžka 3/8, 500 mm, s tesneniami\*
- T-kus 3/8\*

\* pri pripojení tlakového prístroja

### 8.2 Príslušenstvo

#### Špeciálny prúdový regulátor



#### Upozornenie

Namontovaním špeciálneho prúdového regulátora do armatúry dosiahnete optimálny prúd vody.

#### Armatúry

- Použite vhodné armatúry.

#### Tlakové armatúry

Vhodné tlakové armatúry sú dostupné v profesionálnych predajniach.

#### Beztlakové armatúry

- MAW (OT) – beztlaková stenová armatúra
- MAZ (UT) – beztlaková dvojkohútiková umývadlová armatúra
- MAE-W (UTE) – beztlaková jednopáková umývadlová armatúra

### 9. Prípravy

- ▶ Vodovodné potrubie dobre prepláchnite.

#### Vodovodná inštalácia

Poistný ventil sa nevyžaduje.

### 10. Montáž

#### 10.1 Miesto montáže

Prístroj montujte vždy v nezamrzajúcej miestnosti v blízkosti odberného miesta.

Dbajte na dobrý prístup k bočným upevňovacím skrutkám krytu.

Prístroj je vhodný iba na montáž pod umývadlo (vodovodné prípojky hore).

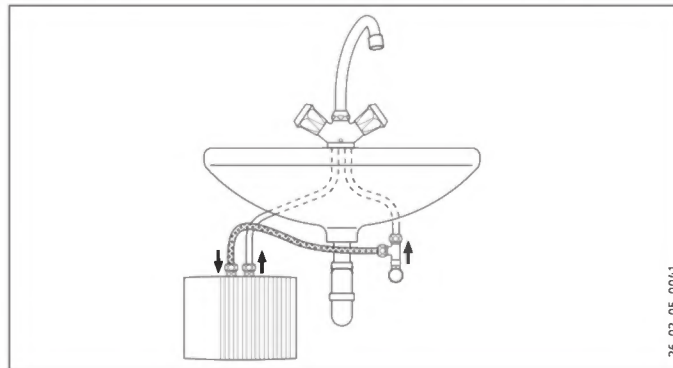


**NEBEZPEČENSTVO** Zásah elektrickým prúdom  
Druhy krytia IP25 je prítomný iba pri namontovanej zadnej stene prístroja.

- ▶ Vždy namontujte zadnú stenu prístroja.

#### 10.2 Alternatívy montáže

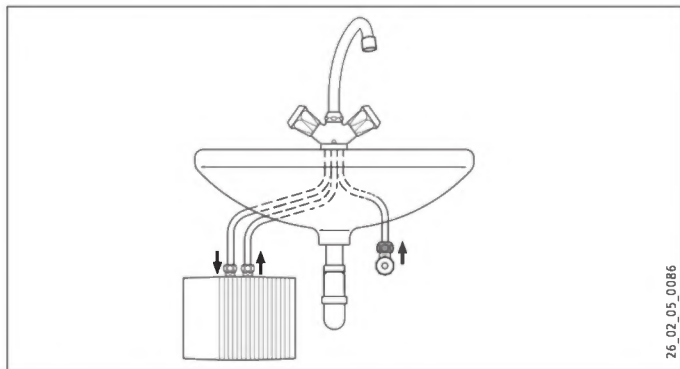
##### Montáž pod umývadlo, tlaková, s tlakovou armatúrou



# INŠTALÁCIA

## Montáž

### Montáž pod umývadlo, beztlaková, s beztlakovou armatúrou



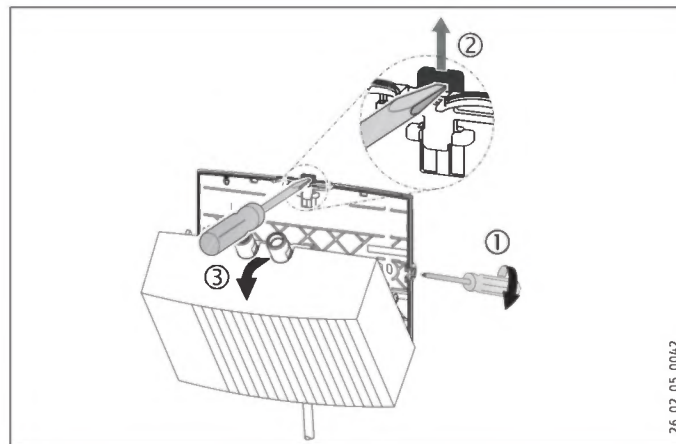
#### 10.2.1 Montáž zariadenia



#### Upozornenie

Stena musí byť dostatočne nosná.

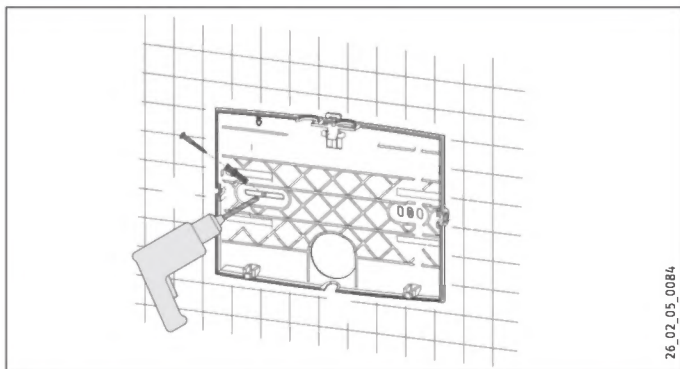
- ▶ Namontujte zariadenie na stenu.



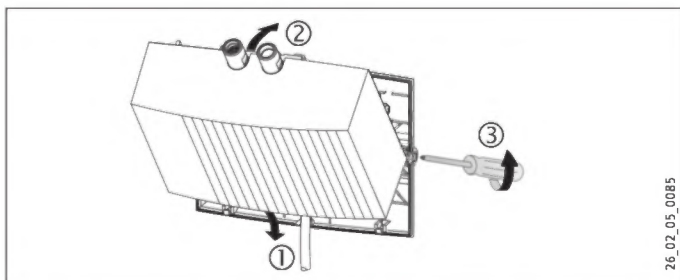
- ▶ Uvoľnite upevňovacie skrutky krytu o dve otáčky.
- ▶ Odblokujte zaskakovací uzáver pomocou skrutkovača.
- ▶ Kryt prístroja vyberte spolu s ohrevným systémom smerom dopredu.
- ▶ Pomocou klieští vylomte v kryte prístroja priechodkový otvor pre elektrické napájacie káble. Otvor prípadne upravte pilníkom.

# INŠTALÁCIA

## Montáž



- ▶ Ako vŕtaciú šablónu použijete zadnú stenu prístroja.
- ▶ Zadnú stenu prístroja upevnite na stenu pomocou vhodných hmoždiniek a skrutiek.



- ▶ Elektrické napájacie káble vložte do priechodkového otvoru zadnej steny.
- ▶ Kryt prístroja spolu s ohrevným systémom dolu zaháknite.
- ▶ Ohrevný systém zaklapnite v zaskakovacom uzávere.
- ▶ Kryt prístroja upevnite pomocou upevňovacích skrutiek krytu.

### 10.2.2 Montáž armatúry



#### Materiálne škody

Počas montáže všetkých prípojok musíte pomocou kľúča SW 14 vytvárať protipohyb.

#### Tlaková prípojka

- ▶ Namontujte dodanú pripojovaciu hadicu 3/8 a T-kus 3/8.
- ▶ Namontujte armatúru. Dodržiavajte pritom návod na obsluhu a inštaláciu armatúry.

#### Beztlaková prípojka

- ▶ Namontujte armatúru. Dodržiavajte pritom návod na obsluhu a inštaláciu armatúry.

### 10.3 Vytvorenie elektrickej prípojky



**NEBEZPEČENSTVO Zásah elektrickým prúdom**  
Všetky práce na elektrickom pripojení a elektrické inštalčné práce vykonávajte podľa predpisov.



**NEBEZPEČENSTVO Zásah elektrickým prúdom**  
Dbajte na to, aby zariadenie bolo pripojené na ochranný vodič.  
Zariadenie sa musí dať odpojiť od siete všetkými pólmi s minimálnou odpojovacou vzdialenosťou 3 mm.



**NEBEZPEČENSTVO Zásah elektrickým prúdom**  
Prístroje sú v stave pri dodaní vybavené elektrickým napájacím káblom (EIL 3 Plus so zástrčkou).  
Pripojenie na pevné elektrické vedenie je možné, ak káble majú prierez minimálne ako sériové napájacie káble prístroja. Maximálny možný prierez káblov je 3 x 6 mm<sup>2</sup>.



#### Materiálne škody

Pri pripojení do zásuvky s ochranným kontaktom (v prípade elektrických napájacích káblov so zástrčkou) dbajte na to, aby bola zásuvka s ochranným kontaktom po inštalácii prístroja voľne prístupná.



#### Materiálne škody

Dbajte na typový štítok. Uvedené napätie sa musí zhodovať so sieťovým napätím.

- ▶ Elektrický napájací kábel pripojte podľa elektrickej schémy zapojenia (pozri kapitolu Technické údaje / Elektrická schéma zapojenia).

## 11. Uvedenie do prevádzky

### 11.1 Prvé uvedenie do prevádzky



- ▶ Viacnásobným otvorením armatúry plňte prístroj, až kým sa potrubná sieť a prístroj neodvzdušnia.
- ▶ Vykonajte kontrolu tesnosti.
- ▶ Zasuňte zástrčku elektrických napájacích káblov, ak je k dispozícii, do zásuvky s ochranným kontaktom alebo zapnite poistku.
- ▶ Skontrolujte činnosť zariadenia.

### 11.2 Odovzdanie zariadenia

- ▶ Vysvetlite funkciu zariadenia používateľovi a oboznámte ho s jeho používaním.
- ▶ Poučte ho o možných nebezpečenstvách, osobitne o nebezpečenstve obarenia.
- ▶ Odovzdajte tento návod.

### 11.3 Opätovné uvedenie do prevádzky



#### Materiálne škody

Po prerušení zásobovania vodou musí byť prístroj pomocou nasledujúcich krokov opäť uvedený do prevádzky, aby sa nezničil ohrevný systém holým drôtom.

- ▶ Vypnite prístroj do beznapätového stavu. Na tento účel vytiahnite zástrčku elektrického napájacieho kábla, ak je k dispozícii, alebo vypnite poistku.
- ▶ Pozri kapitolu Prvé uvedenie do prevádzky.

### 12. Vyradenie z prevádzky

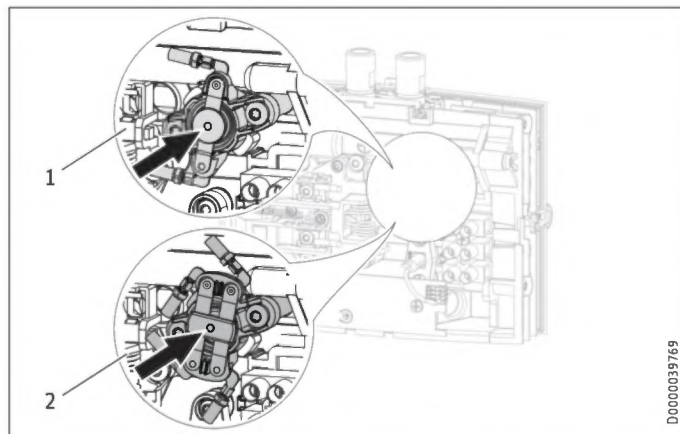
- ▶ Pomocou poistky v domovej inštalácii odpojte prístroj od sieťového napätia alebo vytiahnite zástrčku elektrických napájacích káblov.
- ▶ Vyprázdnite prístroj (pozri kapitolu Údržba).

### 13. Odstraňovanie porúch

Problém	Príčina	Odstránenie
Zariadenie sa aj napriek úplne otvorenému teplovodnému ventilu nezapína.	Prúdový regulátor v armatúre je zavápený alebo zanesený.	Vyčistite a/alebo odvápnite prúdový regulátor alebo ho vymeňte za nový.
	Sito v privode studenej vody je upchaté.	Vyčistite sito po zatvorení privodu studenej vody.
	Ohrevný systém je chybný.	Odmerajte odpor ohrevného systému, príp. vymeňte prístroj.
	Bezpečnostný tlakový spínač zareagoval.	Odstráňte príčinu chyby. Odpojte prístroj od napätia a odpustením vody znížte tlak v potrubí. Aktivujte bezpečnostný tlakový spínač.



### Aktivácia bezpečnostného tlakového spínača



- 1 1-pólový bezpečnostný tlakový spínač EIL 4 Plus / EIL 6 Plus
- 2 2-pólový bezpečnostný tlakový spínač EIL 3 Plus / EIL 7 Plus

## 14. Údržba



**NEBEZPEČENSTVO** Zásah elektrickým prúdom  
Pri všetkých prácach odpojte všetky póly zariadenia od sieťového pripojenia.

### 14.1 Vypustenie zariadenia



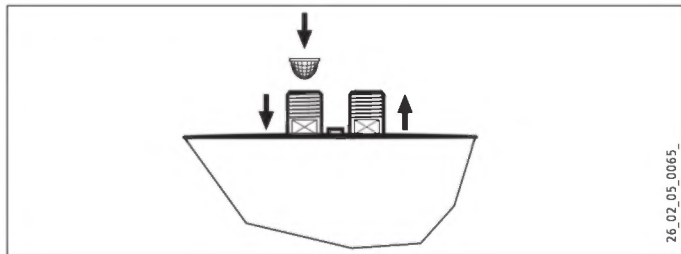
**NEBEZPEČENSTVO** Obarenie  
Pri vypúšťaní môže vytekať horúca voda.

Ak treba prístroj vyprázdniť kvôli údržbovým prácam alebo kvôli nebezpečenstvu mrazu s cieľom ochrany celej inštalácie, postupujte nasledovne:

- ▶ Zatvorte uzatvárací ventil v prívode studenej vody.
- ▶ Otvorte odberový ventil.
- ▶ Odpojte vodovodné prípojky od prístroja.

### 14.2 Vyčistite sitko

Zabudované sito môžete vyčistiť po demontáži prípojného vedenia studenej vody.



### 14.3 Kontroly podľa VDE 0701/0702

#### Kontrola ochranného vodiča

- ▶ Skontrolujte ochranný vodič (v Nemecku napr. DGUV A3) na kontakte ochranného vodiča elektrických napájacích káblov a na prípojnom hrdle prístroja.

#### Izolačný odpor

- ▶ V prípade, že by prístroj s menovitým ohrevným výkonom > 3,5 kW nedosiahol izolačný odpor 300 k $\Omega$ , odporúčame nastaviť izolačné vlastnosti tohto prístroja zmeraním rozdielového prúdu pre prúd ochranného vodiča/zvodový prúd podľa VDE 0701/0702 (obrázok C.3b).

### 14.4 Skladovanie prístroja

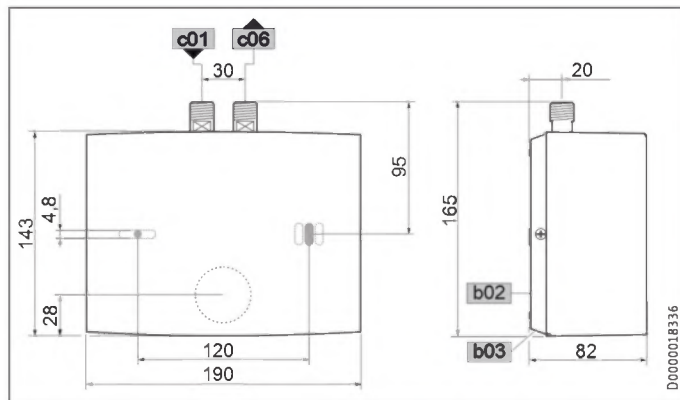
- ▶ Demontované zariadenie neskladujte v mraze, pretože sa v ňom nachádza zvyšková voda, ktorá môže zamrznúť a spôsobiť škody.

### 14.5 Výmena elektrických napájacích káblov na module EIL 6 Plus

- ▶ V prípade výmeny sa na module EIL 6 Plus musí použiť elektrický napájací kábel s prierezom 4 mm<sup>2</sup>.

### 15. Technické údaje

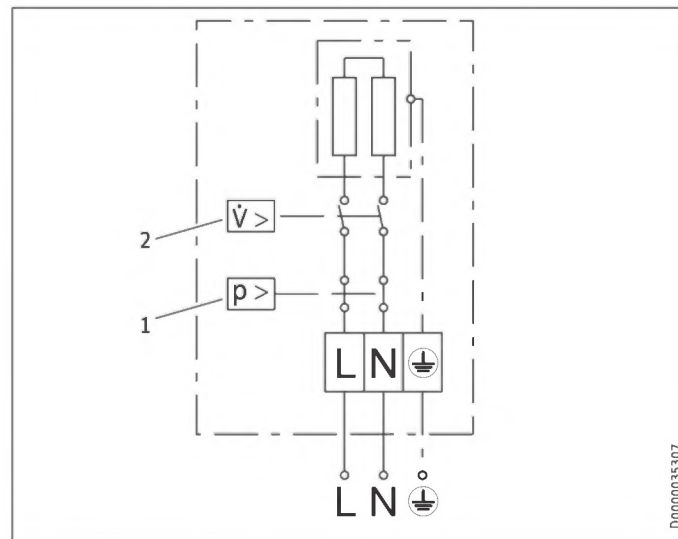
#### 15.1 Rozmery



b02	Priechodka elektr. vedení I		
b03	Priechodka elektr. vedení II		
c01	Studená voda prívod	Vonkajší závit	G 3/8 A
c06	Teplá voda výtok	Vonkajší závit	G 3/8 A

### 15.2 Elektrická schéma zapojenia

#### 15.2.1 EIL 3 Plus 1/N/PE ~ 200-240 V

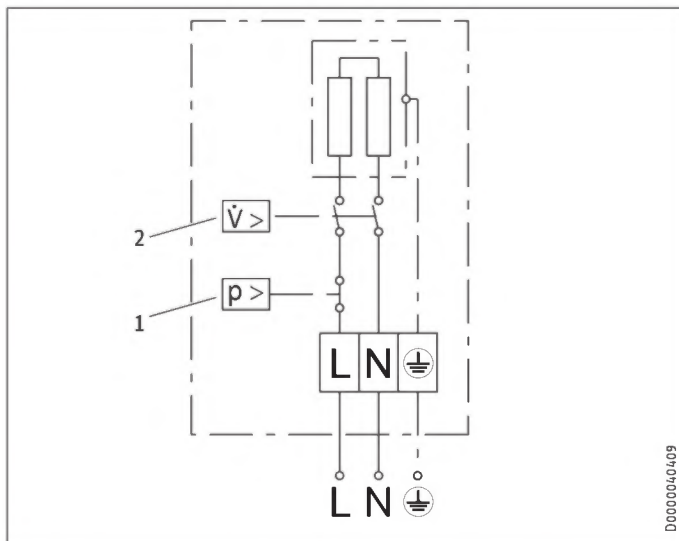


- 1 Bezpečnostný tlakový spínač
- 2 Spínač tlakového rozdielu

# INŠTALÁCIA

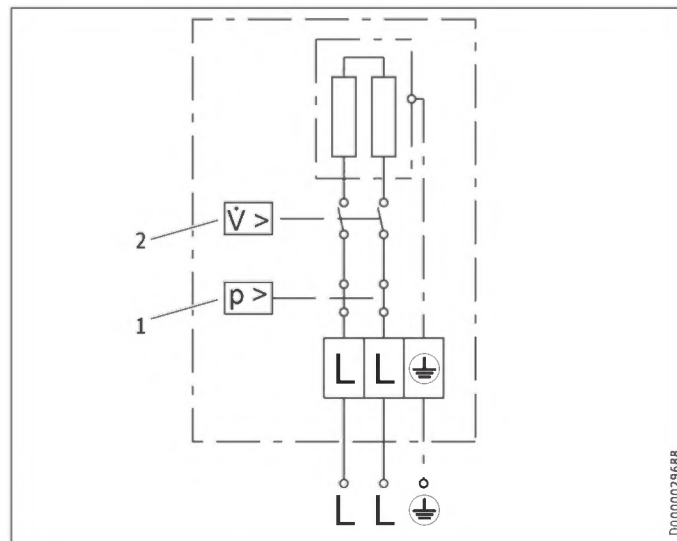
## Technické údaje

### 15.2.2 EIL 4 Plus a EIL 6 Plus 1/N/PE ~ 200-240 V



- 1 Bezpečnostný tlakový spínač
- 2 Spínač tlakového rozdielu

### 15.2.3 EIL 7 Plus 2/PE ~ 380-415 V



- 1 Bezpečnostný tlakový spínač
- 2 Spínač tlakového rozdielu



#### Materiálne škody

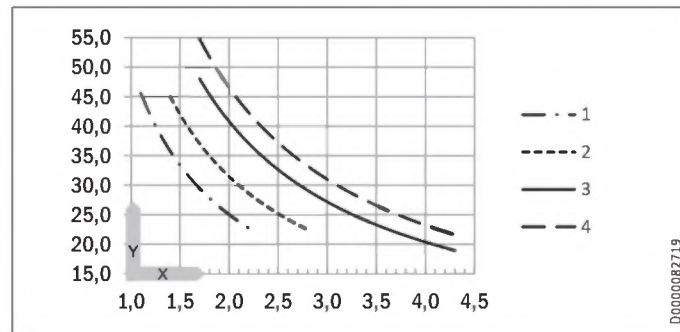
- Pri pevnom pripojení pripojte elektrické napájacie káble podľa označenia svoriek zdierkovej svorky.

# INŠTALÁCIA

## Technické údaje

### 15.3 Zvýšenie teploty

Nasledujúce zvýšenia teploty sa dosahujú pri napätí 230 V / 400 V:



X Objemový prietok v l/min.

Y Zvýšenie teploty v K

1 3,5 kW – 230 V

2 4,4 kW – 230 V

3 5,7 kW – 230 V

4 6,5 kW – 400 V

#### Príklad EIL 3 Plus s 3,5 kW

Objemový prietok	l/min	2,0
Zvýšenie teploty	K	25
Vstupná teplota studenej vody	°C	12
Maximálna možná výtoková teplota	°C	37

### 15.4 Oblasti použitia

Špecifický elektrický odpor a špecifická elektrická vodivosť, pozri Tabuľka s údajmi.

Normalizovaný údaj pri 15 °C			20 °C			25 °C		
Špecifický odpor $\rho \geq$	Špecifická vodivosť $\sigma \leq$	$\mu\text{S/cm}$	Špecifický odpor $\rho \geq$	Špecifická vodivosť $\sigma \leq$	$\mu\text{S/cm}$	Špecifický odpor $\rho \geq$	Špecifická vodivosť $\sigma \leq$	$\mu\text{S/cm}$
$\Omega \text{ cm}$	mS/m		$\Omega \text{ cm}$	mS/m		$\Omega \text{ cm}$	mS/m	
1100	91	909	970	103	1031	895	112	1117

# INŠTALÁCIA

## Technické údaje

### 15.5 Údaje k spotrebe energie

Informačný list výrobku: Konvenčný ohrievač vody podľa nariadenia (EÚ) č. 812/2013 | 814/2013

		EIL 3 Plus	EIL 4 Plus	EIL 6 Plus	EIL 7 Plus
		200138	200139	200140	200141
Výrobca		STIEBEL ELTRON	STIEBEL ELTRON	STIEBEL ELTRON	STIEBEL ELTRON
Záťažový profil		XXS	XXS	XXS	XS
Trieda energetickej účinnosti		A	A	A	A
Energetická účinnosť	%	39	39	39	40
Ročná spotreba el. energie	kWh	478	478	478	467
Hladina akustického výkonu	dB(A)	15	15	15	15
Špeciálne poznámky k meraniu účinnosti		žiadne	žiadne	žiadne	žiadne
Denná spotreba el. energie	kWh	2,200	2,200	2,200	2,130

# INŠTALÁCIA

## Technické údaje

### 15.6 Tabuľka s údajmi

		EIL 3 Plus				EIL 4 Plus				EIL 6 Plus				EIL 7 Plus		
		200138				200139				200140				200141		
Elektrické údaje																
Menovité napätie	V	200	220	230	240	200	220	230	240	200	220	230	240	380	400	415
Príkion	kW	2,7	3,2	3,53	3,8	3,3	4,0	4,4	4,8	4,3	5,2	5,7	6,2	5,9	6,5	7,0
Menovitý prúd	A	13,3	14,5	15,2	15,8	16,7	18,2	19,1	20	21,6	23,6	24,7	25,8	15,5	16,3	16,9
Poistka	A	16				20				25	25	25	32	16	20	20
Frekvencia	Hz	50/60				50/60				50/60				50/60	50/60	50/-
Fázy		1/N/PE				1/N/PE				1/N/PE				2/PE		
Špecifický odpor $\rho_{15} \geq$	$\Omega$ cm	1100				1100				1100				1100		
Špecifická vodivosť $\sigma_{15} \leq$	$\mu S/cm$	909				909				909				909		
Max. impedancia siete pri 50 Hz	$\Omega$									0,394	0,377	0,361				
Prípojky																
Vodovodná prípojka		G 3/8 A				G 3/8 A				G 3/8 A				G 3/8 A		
Hranice použitia																
Max. povolený tlak	MPa	1				1				1				1		
Hodnoty																
Max. povolená prívodná teplota	$^{\circ}C$	35				35				35				35		
Zap.	l/min	> 1,6				> 2,0				> 2,6				> 2,6		
Tlaková strata pri objemovom prietoku	MPa	0,05				0,06				0,08				0,08		
Prietok pre tlakovú stratu	l/min	1,6				2,0				2,6				2,6		
Obmedzenie prietoku pri	l/min	2,2				2,8				4,3				4,3		
Max. prietokové množstvo teplej vody	l/min	2,0				2,5				3,2				3,7		
$\Delta\theta$ pri max. prietokovom množstve	K	25				25				25				25		
Hydraulické údaje																
Menovitý objem	l	0,1				0,1				0,1				0,1		

# INŠTALÁCIA

## Technické údaje

		EIL 3 Plus	EIL 4 Plus	EIL 6 Plus	EIL 7 Plus
<b>Vyhotovenia</b>					
Typ montáže pod umývadlo		X	X	X	X
Typ konštrukcie otvorený		X	X	X	X
Typ konštrukcie uzavretý		X	X	X	X
Trieda ochrany		1	1	1	1
Izolačný blok		Plast	Plast	Plast	Plast
Vykurovací systém zdroja tepla		Neizolovaný vodič	Neizolovaný vodič	Neizolovaný vodič	Neizolovaný vodič
Kryt a zadná stena		Plast	Plast	Plast	Plast
Farba		biela	biela	biela	biela
Druh krytia (IP)		IP 25	IP 25	IP 25	IP 25
<b>Rozmery</b>					
Výška	mm	143	143	143	143
Šírka	mm	190	190	190	190
Hĺbka	mm	82	82	82	82
Dĺžka pripojovacieho kábla	mm	700	700	700	700
<b>Hmotnosti</b>					
Hmotnosť	kg	1,4	1,4	1,4	1,4



### Upozornenie

Prístroj zodpovedá IEC 61000-3-12.



## Záruka

Pre zariadenia nadobudnuté mimo Nemecka neplatia záručné podmienky našich nemeckých spoločností. V krajinách, v ktorých existuje jedna z našich dcérskych spoločností predávajúcej naše výrobky, sa skôr poskytuje záruka iba od tejto dcérskej spoločnosti. Takáto záruka je poskytnutá iba vtedy, keď dcérska spoločnosť vydala vlastné záručné podmienky. Nad rámec uvedeného sa záruka neposkytuje.

Na zariadenia, ktoré boli nadobudnuté v krajinách, v ktorých naše výrobky nepredáva žiadna z našich dcérskych spoločností, záruku neposkytujeme. Prípadné záruky prisľúbené dovozcom zostávajú týmto nedotknuté.

## Životné prostredie a recyklácia

- ▶ Prístroje a materiály po použití zlikvidujte v súlade s vnútroštátnymi predpismi.



- ▶ Ak je na prístroji vyobrazený preškrtnutý smetný kôš, odovzdajte prístroj na ďalšie použitie a zhodnotenie na miestnom zbernom dvore alebo zbernom mieste obchodu.



Tento dokument pozostáva z recyklovateľného papiera.

PAP

- ▶ Po uplynutí životnosti prístroja dokument zlikvidujte v súlade s vnútroštátnymi predpismi.

## WSKAZÓWKI SPECJALNE

### OBSŁUGA

<b>1. Wskazówki ogólne</b>	<b>92</b>
1.1 Wskazówki dotyczące bezpieczeństwa	93
1.2 Inne oznaczenia stosowane w niniejszej dokumentacji	93
1.3 Jednostki miar	94
<b>2. Bezpieczeństwo</b>	<b>94</b>
2.1 Użytkowanie zgodne z przeznaczeniem	94
2.2 Ogólne wskazówki dotyczące bezpieczeństwa	94
2.3 Znak kontroli	95
<b>3. Opis urządzenia</b>	<b>95</b>
<b>4. Nastawy</b>	<b>95</b>
<b>5. Czyszczenie i konserwacja</b>	<b>96</b>
<b>6. Usuwanie problemów</b>	<b>96</b>

### INSTALACJA

<b>7. Bezpieczeństwo</b>	<b>97</b>
7.1 Ogólne wskazówki dotyczące bezpieczeństwa	97
7.2 Przepisy, normy i wymogi	97
<b>8. Opis urządzenia</b>	<b>97</b>
8.1 Zakres dostawy	97
8.2 Osprzęt	98
<b>9. Przygotowania</b>	<b>98</b>
<b>10. Montaż</b>	<b>98</b>
10.1 Miejsce montażu	98
10.2 Inne sposoby montażu	99

10.3 Wykonanie przyłącza elektrycznego	101
<b>11. Uruchomienie</b>	<b>102</b>
11.1 Pierwsze uruchomienie	102
11.2 Przekazanie urządzenia	102
11.3 Ponowne uruchomienie	102
<b>12. Wyłączenie z eksploatacji</b>	<b>102</b>
<b>13. Usuwanie usterek</b>	<b>103</b>
<b>14. Konserwacja</b>	<b>104</b>
14.1 Opróżnianie urządzenia z wody	104
14.2 Czyszczenie sitka	104
14.3 Kontrole wg VDE 0701/0702	104
14.4 Przechowywanie urządzenia	105
14.5 Wymiana elektrycznego przewodu przyłączeniowego w EIL 6 Plus	105
<b>15. Dane techniczne</b>	<b>105</b>
15.1 Wymiary	105
15.2 Schemat połączeń elektrycznych	106
15.3 Podwyższenie temperatury	107
15.4 Zakresy stosowania	108
15.5 Dane dotyczące zużycia energii	108
15.6 Tabela danych	109

### GWARANCJA

### OCHRONA ŚRODOWISKA I RECYCLING

## WSKAZÓWKI SPECJALNE

- Urządzenie może być obsługiwane przez dzieci, które ukończyły 3 lat, oraz przez osoby o zmniejszonych zdolnościach fizycznych, sensorycznych lub umysłowych lub osoby nieposiadające odpowiedniego doświadczenia względnie wiedzy, jeżeli są one pod nadzorem lub zostały przeszkolone w zakresie bezpiecznej obsługi urządzenia oraz zrozumiwały wynikające stąd niebezpieczeństwa. Urządzenie nie może być używane przez dzieci do zabawy. Czyszczenia oraz konserwacji ze strony użytkownika nie wolno powierzać dzieciom bez nadzoru.
- Podczas pracy temperatura armatury może osiągnąć wartość powyżej 50 °C. W przypadku temperatur wyższych niż 43 °C istnieje niebezpieczeństwo poparzenia.
- Urządzenie nie jest przeznaczone do zasilania w wodę prysznic (tryb prysznic).
- Urządzenie musi mieć możliwość odłączania od sieci elektrycznej za pomocą wielobiegunowego wyłącznika z rozwarciem styków wynoszącym min. 3 mm.
- Podane napięcie musi być zgodne z napięciem sieciowym.
- Urządzenie musi być trwale podłączone do stałego okablowania, wyjątek EIL 3 Plus.
- Czynności związane z wymianą sieciowego przewodu przyłączeniowego, np. w razie uszkodzenia, mogą być wykonywane wyłącznie przez wyspecjalizowanego instalatora posiadającego uprawnienia wydane przez producenta, przy użyciu oryginalnej części zamiennej.
- Zamocować urządzenie w sposób opisany w rozdziale „Instalacja / Montaż”.

- Należy przestrzegać maksymalnego dopuszczalnego ciśnienia (patrz rozdział „Dane techniczne / Tabela danych”).
- Oporność właściwa wody z sieci wodociągowej nie może być niższa niż podana w tabeli (patrz rozdział „Instalacja / Dane techniczne / Tabela danych”).
- Urządzenie opróżniać w sposób opisany w rozdziale „Instalacja / Konserwacja / Opróżnianie urządzenia”.

## OBSŁUGA

### 1. Wskazówki ogólne

Rozdział „Obsługa” przeznaczony jest dla użytkownika i wyspecjalizowanego instalatora.

Rozdział „Instalacja” przeznaczony jest dla wyspecjalizowanego instalatora.



#### Wskazówka

Przed przystąpieniem do użytkowania należy dokładnie zapoznać się z niniejszą instrukcją i zachować ją do późniejszego wykorzystania.

W przypadku przekazania produktu innemu użytkownikowi niniejszą instrukcję należy również dołączyć.

---

## 1.1 Wskazówki dotyczące bezpieczeństwa

### 1.1.1 Struktura wskazówek dotyczących bezpieczeństwa



**HASŁO OSTRZEGAWCZE – rodzaj zagrożenia**  
 W tym miejscu określone są potencjalne skutki nieprze-  
 strzegania wskazówki dotyczącej bezpieczeństwa.  
 ► W tym miejscu są określone środki zapobiegające  
 zagrożeniu.

### 1.1.2 Symbole i rodzaje zagrożenia

Symbol	Rodzaj zagrożenia
	Obrażenia ciała
	Porażenie prądem elektrycznym
	Poparzenie (Poparzenie)

### 1.1.3 Hasła ostrzegawcze

HASŁO OSTRZE- GAWCZE	Znaczenie
ZAGROŻENIE	Wskazówki, których nieprzestrzeganie prowadzi do cięż- kich obrażeń ciała lub śmierci.
OSTRZEŻENIE	Wskazówki, których nieprzestrzeganie może prowadzić do ciężkich obrażeń ciała lub śmierci.
OSTROŻNIE	Wskazówki, których nieprzestrzeganie może prowadzić do średnich lub lekkich obrażeń ciała.

## 1.2 Inne oznaczenia stosowane w niniejszej dokumentacji



### Wskazówka

Wskazówki są ograniczone poziomymi liniami powyżej  
 i poniżej tekstu. Wskazówki ogólne są oznaczone sym-  
 bolem umieszczonym obok.

► Należy dokładnie zapoznać się z treścią wskazówek.

Symbol	Znaczenie
	Szkody materialne (uszkodzenie urządzenia, szkody następcze, zanieczyszcze- nie środowiska)
	Utylizacja urządzenia

- ▶ Ten symbol informuje o konieczności wykonania jakiejś czynności. Wymagane czynności opisane są krok po kroku.

### 1.3 Jednostki miar



#### Wskazówka

Jeśli nie określono innych jednostek, wymiary podane są w milimetrach.

## 2. Bezpieczeństwo

### 2.1 Użytkowanie zgodne z przeznaczeniem

Urządzenie przeznaczone jest do użytku w budownictwie mieszkaniowym. Może być bezpiecznie użytkowane przez nieprzeszkolone osoby. Urządzenie może być użytkowane również poza budownictwem mieszkaniowym, np. w budynkach gospodarczych i przemysłowych, pod warunkiem użytkowania zgodnego z przeznaczeniem.

Urządzenie służy do podgrzewania wody użytkowej. Urządzenie jest przeznaczone wyłącznie do umywalki.

Inne lub wykraczające poza obowiązujące ustalenia użytkowanie traktowane jest jako niezgodne z przeznaczeniem. Do użytkowania zgodnego z przeznaczeniem należy również przestrzeganie niniejszej instrukcji obsługi oraz instrukcji obsługi użytego osprzętu.

### 2.2 Ogólne wskazówki dotyczące bezpieczeństwa



#### ZAGROŻENIE poparzeniem

Podczas pracy temperatura armatury może osiągnąć wartość powyżej 50 °C. W przypadku temperatur wyższych niż 43 °C istnieje niebezpieczeństwo poparzenia.



#### OSTRZEŻENIE - obrażenia ciała

Urządzenie może być obsługiwane przez dzieci, które ukończyły 3 lat, oraz przez osoby o zmniejszonych zdolnościach fizycznych, sensorycznych lub umysłowych lub osoby nieposiadające odpowiedniego doświadczenia względnie wiedzy, jeżeli są one pod nadzorem lub zostały przeszkolone w zakresie bezpiecznej obsługi urządzenia oraz zrozumiały wynikające stąd niebezpieczeństwa. Urządzenie nie może być używane przez dzieci do zabawy. Czyszczenia oraz konserwacji ze strony użytkownika nie wolno powierzać dzieciom bez nadzoru.



#### ZAGROŻENIE porażenia prądem elektrycznym

Uszkodzony elektryczny przewód przyłączeniowy może zostać wymieniony tylko przez wyspecjalizowanego instalatora. Dzięki temu można uniknąć ewentualnych zagrożeń.



#### Szkody materialne

Chronić urządzenie i armaturę przed mrozem.

**Szkody materialne**

Stosować wyłącznie dołączony specjalny regulator strumienia. Zapobiegać osadzeniu się kamienia na wylotach armatury (patrz rozdział „Czyszczenie, pielęgnacja i konserwacja”).

**2.3 Znak kontroli**

Patrz tabliczka znamionowa na urządzeniu.

**3. Opis urządzenia**

Hydraulicznie sterowany mini przepływowy ogrzewacz podgrzewa wodę bezpośrednio w punkcie poboru. Otwarcie armatury powoduje automatyczne załączenie mocy grzewczej. Dzięki krótkiej instalacji powstają niewielkie straty energii i wody.

Wydajność ciepłej wody urządzenia zależy od temperatury zimnej wody, mocy grzewczej oraz przepływu.

System grzejny z odkrytą grzałką jest przeznaczony do wody o niskiej i wysokiej zawartości wapnia. System grzejny jest w dużym stopniu odporny na powstawanie osadów wapiennych. System grzejny zapewnia szybkie i wydajne przygotowanie ciepłej wody w umywalce.

Dzięki zamontowaniu dołączonego, specjalnego regulatora strumienia można uzyskać optymalny strumień wody.

**4. Nastawy**

Po otwarciu zaworu ciepłej wody na armaturze lub uruchomieniu czujnika armatury czujnikowej system grzejny urządzenia załącza się automatycznie. Woda jest podgrzewana. Temperaturę wody można zmieniać za pomocą armatury:

Przepływ wymagany do włączenia patrz rozdział „Dane techniczne / Tabela danych / Wł.”.

**Podwyższenie temperatury**

► Zdławić przepływ wody za pomocą armatury.

**Obniżenie temperatury**

► Odkręcić mocniej armaturę lub domieszać więcej zimnej wody.

**Po przerwie w zaopatrzeniu w wodę**

Patrz rozdział „Uruchomienie / Ponowne uruchomienie”.

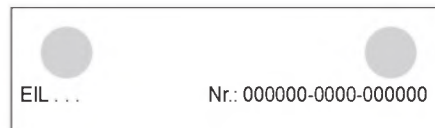
## 5. Czyszczenie i konserwacja

- ▶ Nie wolno używać szorujących, ani rozpuszczających środków czyszczących. Do konserwacji i czyszczenia urządzenia wystarczy wilgotna ściereczka.
- ▶ Należy regularnie sprawdzać stan armatur. Osad z wylotu armatur należy usuwać przy użyciu dostępnych w handlu środków do odkamieniania.
- ▶ W regularnych odstępach czasu zlecać wyspecjalizowanemu instalatorowi kontrolę bezpieczeństwa elektrycznego urządzenia.
- ▶ Należy regularnie odwapniać lub wymieniać specjalny regulator strumienia w armaturze (patrz rozdział „Opis urządzenia / Osprzęt”).

## 6. Usuwanie problemów

Problem	Przyczyna	Usuwanie
Urządzenie nie włącza się, mimo całkowicie otwartej armatury.	Do urządzenia nie jest doprowadzone napięcie.	Sprawdzić bezpiecznik w instalacji domowej.
	Regulator strumienia w armaturze jest pokryty kamieniem lub zabrudzony.	Oczyścić i/lub odwapnić regulator strumienia lub wymienić specjalny regulator strumienia.
	Przerwa w zaopatrzeniu w wodę.	Odpowietrzyć urządzenie i zasilanie zimnej wody (patrz rozdział „Nastawy”).

Jeśli nie można usunąć przyczyny usterki, należy wezwać wyspecjalizowanego instalatora. W celu usprawnienia i przyspieszenia pomocy należy podać numer z tabliczki znamionowej (000000-0000-00000).





# INSTALACJA

## 7. Bezpieczeństwo

Instalacja, uruchomienie, jak również konserwacja i naprawa urządzenia mogą być wykonane wyłącznie przez wyspecjalizowanego instalatora.

### 7.1 Ogólne wskazówki dotyczące bezpieczeństwa

Producent zapewnia prawidłowe działanie i bezpieczeństwo eksploatacji tylko w przypadku stosowania oryginalnego osprzętu, przeznaczonego do tego urządzenia, oraz oryginalnych części zamiennych.



#### Szkody materialne

Przestrzegać maks. dopuszczalnej temperatury na zasilaniu. Przy wyższych temperaturach może nastąpić uszkodzenie urządzenia. Za pomocą centralnej armatury termostatycznej można ograniczyć temperaturę wody na zasilaniu.

## 7.2 Przepisy, normy i wymogi



#### Wskazówka

Należy przestrzegać krajowych i lokalnych przepisów oraz wymogów.

Właściwa oporność elektryczna wody nie może być mniejsza niż podana na tabliczce znamionowej. W przypadku sieci wodociągowej należy uwzględnić najniższą oporność elektryczną wody (patrz rozdział „Dane techniczne / Tabela danych”). Informacje o właściwej oporności elektrycznej lub elektrycznej przewodności wody można uzyskać w miejscowym zakładzie wodociągów.

## 8. Opis urządzenia

### 8.1 Zakres dostawy

Z urządzeniem dostarczane są:

- sitko w zasilaniu zimnej wody
- specjalny regulator strumienia
- wąż przyłączeniowy 3/8, dł. 500 mm, z uszczelkami\*
- trójnik 3/8\*

\* do podłączenia jako urządzenie ciśnieniowe

# INSTALACJA

## Przygotowania

### 8.2 Osprzęt

#### Specjalny regulator strumienia



#### Wskazówka

Dzięki zamontowaniu specjalnego regulatora strumienia w armaturze można uzyskać optymalny strumień wody.

#### Armatury

► Należy stosować odpowiednie armatury.

#### Armatury ciśnieniowe

Odpowiednie armatury ciśnieniowe można zakupić w specjalistycznych sklepach.

#### Armatury bezciśnieniowe

- MAW (OT) - bezciśnieniowa armatura ścienna
- MAZ (UT) - bezciśnieniowa dwuuchwytowa armatura do umywalki
- MAE-W (UTE) - bezciśnieniowa jednouchwytowa armatura do umywalki

## 9. Przygotowania

► Przeplukać dokładnie instalację wodną.

#### Instalacja wodna

Zawór bezpieczeństwa nie jest potrzebny.

## 10. Montaż

### 10.1 Miejsce montażu

Urządzenie należy zamontować w pomieszczeniu zabezpieczonym przed mrozem, w pobliżu armatury czerpalnej.

Zwrócić uwagę na dostępność bocznych wkrętów mocujących pokrywę.

Urządzenie przeznaczone jest wyłącznie do montażu poniżej punktu poboru wody (przyłącza wody na górze).



#### ZAGROŻENIE porażenia prądem elektrycznym

Stopień ochrony IP25 jest zapewniony tylko przy zamontowanej ścianie tylnej urządzenia.

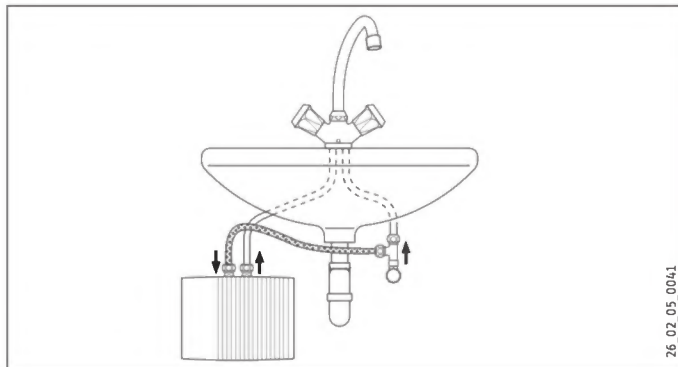
► Zawsze montować ściankę tylną urządzenia.

# INSTALACJA

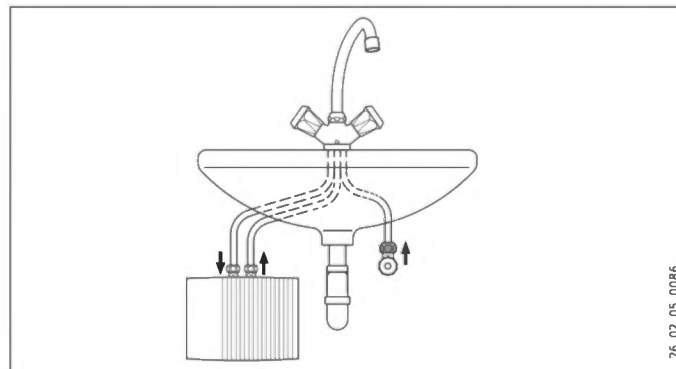
## Montaż

### 10.2 Inne sposoby montażu

Montaż poniżej punktu poboru wody, ciśnieniowy, z armaturą ciśnieniową



Montaż poniżej punktu poboru wody, bezciśnieniowy, z armaturą bezciśnieniową



# INSTALACJA

## Montaż

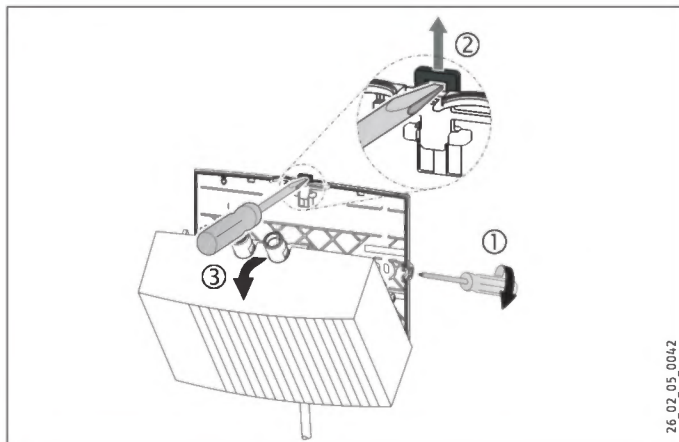
### 10.2.1 Montaż urządzenia



#### Wskazówka

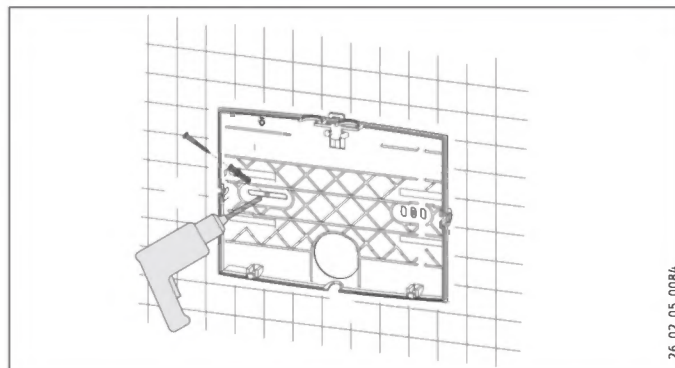
Ściana musi posiadać odpowiednią nośność.

- ▶ Zamontować urządzenie na ścianie.



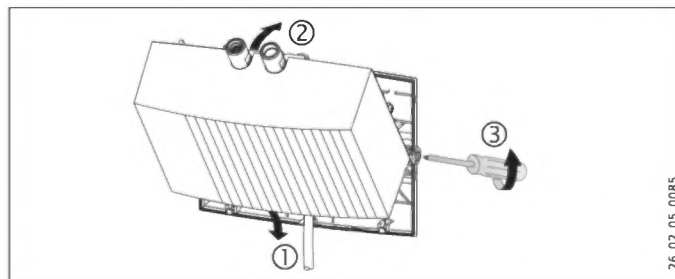
26.02.05\_0042

- ▶ Wkręty mocujące osłonę odkręcić o dwa obroty.
- ▶ Odblokować zamknięcie zapadkowe za pomocą śrubokręta.
- ▶ Zdjąć do przodu pokrywę urządzenia z systemem grzejnym.
- ▶ Wyłamać przy użyciu szczypiec otwór przepustowy na elektryczny przewód przyłączeniowy w pokrywie urządzenia. Ewentualne nierówności usunąć pilnikiem.



26.02.05\_0084

- ▶ Tylną ściankę urządzenia użyć jako szablonu do nawiercania otworów.
- ▶ Zamocować ściankę tylną urządzenia odpowiednimi kołkami rozporowymi i wkrętami na ścianie.



26.02.05\_0085

- ▶ Przełożyć elektryczny przewód przyłączeniowy przez otwór przepustowy tylnej ścianki.
- ▶ Zaczepić pokrywę urządzenia z systemem grzejnym na dole.
- ▶ Zablokować system grzejny w zamknięciu zapadkowym.
- ▶ Zamocować pokrywę urządzenia wkrętami mocującymi pokrywę.

### 10.2.2 Montaż armatury



#### Szkody materialne

Podczas montażu wszystkich przyłączy należy kontrolować króćce przyłączeniowe urządzenia za pomocą klucza o rozmiarze 14.

#### Przyłącze ciśnieniowe

- ▶ Zamontować dołączony wąż przyłączeniowy 3/8 oraz trójnik 3/8.
- ▶ Zamontować armaturę. Należy przestrzegać przy tym instrukcji obsługi i instalacji armatury.

#### Przyłącze bezcisnieniowe

- ▶ Zamontować armaturę. Należy przestrzegać przy tym instrukcji obsługi i instalacji armatury.

### 10.3 Wykonanie przyłącza elektrycznego



**ZAGROŻENIE** porażenia prądem elektrycznym  
Wszystkie elektryczne prace przyłączeniowe i instalacyjne należy wykonywać zgodnie z przepisami.



**ZAGROŻENIE** porażenia prądem elektrycznym  
Zwrócić uwagę, aby urządzenie zostało podłączone do przewodu ochronnego.  
Urządzenie musi mieć możliwość odłączania od sieci elektrycznej za pomocą wielobiegunowego wyłącznika z rozwarciem styków wynoszącym min. 3 mm.



**ZAGROŻENIE** porażenia prądem elektrycznym  
Urządzenia w momencie dostawy są wyposażone w elektryczny przewód przyłączeniowy (EIL 3 Plus z wtyczką).  
Urządzenie można podłączyć do poprowadzonego na stałe przewodu elektrycznego, jeśli jego pole przekroju jest przynajmniej równe polu przekroju seryjnego przewodu przyłączeniowego urządzenia. Maksymalne pole przekroju przewodu może wynosić 3 x 6 mm<sup>2</sup>.



#### Szkody materialne

Przy podłączeniu do gniazda wtykowego z zestykiem ochronnym (dotyczy elektrycznego przewodu przyłączeniowego z wtyczką) należy zwrócić uwagę, aby po instalacji urządzenia do gniazda wtykowego był swobodny dostęp.

# INSTALACJA

## Uruchomienie



### Szkody materialne

Zwrócić uwagę na treść tabliczki znamionowej. Podane napięcie musi być zgodne z napięciem sieciowym.

- ▶ Podłączyć elektryczny przewód przyłączeniowy według schematu połączeń elektrycznych (patrz rozdział „Dane techniczne / Schemat połączeń elektrycznych”).

## 11. Uruchomienie

### 11.1 Pierwsze uruchomienie



- ▶ Napełnić urządzenie, pobierając kilkakrotnie wodę z armatury, aby usunąć powietrze z instalacji i urządzenia.
- ▶ Przeprowadzić kontrolę szczelności.
- ▶ Podłączyć wtyczkę elektrycznego przewodu przyłączeniowego (jeśli jest) do gniazda wtykowego z zestykiem ochronnym lub załączyć bezpiecznik.
- ▶ Sprawdzić prawidłowość pracy urządzenia.

### 11.2 Przekazanie urządzenia

- ▶ Objaśnić użytkownikowi sposób działania urządzenia i zapoznać go ze sposobem użytkowania.
- ▶ Poinformować użytkownika o potencjalnych zagrożeniach, zwłaszcza o niebezpieczeństwie poparzenia.
- ▶ Przekazać niniejszą instrukcję.

### 11.3 Ponowne uruchomienie



### Szkody materialne

Po przerwie w zasilaniu wodą należy ponownie uruchomić urządzenie, wykonując poniższe czynności, aby nie uszkodzić systemu grzejnego z odkrytą grzałką.

- ▶ Odłączyć urządzenie od zasilania. W tym celu odłączyć wtyczkę elektrycznego przewodu przyłączeniowego (jeśli jest) lub wyłączyć bezpiecznik.
- ▶ Patrz rozdział „Pierwsze uruchomienie”.

## 12. Wyłączenie z eksploatacji

- ▶ Urządzenie odłączyć od napięcia sieciowego za pomocą bezpiecznika w sieci instalacji domowej lub wyciągnąć wtyczkę elektrycznego przewodu przyłączeniowego.
- ▶ Opróżnić urządzenie z wody (patrz rozdział „Konserwacja”).

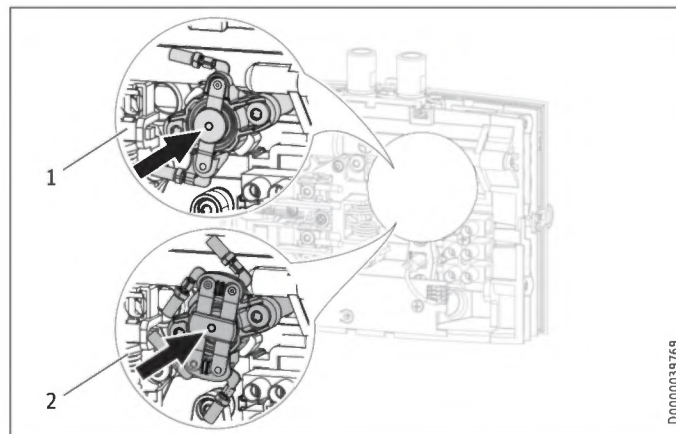
# INSTALACJA

## Usuwanie usterek

### 13. Usuwanie usterek

Problem	Przyczyna	Usuwanie
Urządzenie nie włącza się, mimo całkowicie otwartej armatury.	Regulator strumienia w armaturze jest pokryty kamieniem lub zabrudzony.	Oczyszczyć i/lub odwapnić regulator strumienia lub wymienić specjalny regulator strumienia.
	Sitko w przewodzie zimnej wody jest zatkane.	Wyczyścić sitko po zamknięciu zaworu odcinającego.
	System grzejny jest uszkodzony.	Zmierzyć rezystancję systemu grzejnego, ew. wymienić urządzenie.
	Ogranicznik ciśnienia bezpieczeństwa spowodował wyłączenie.	Usunąć przyczynę usterek. Odłączyć urządzenie do sieci elektrycznej i odciążyć rurkę wody. Aktywować ogranicznik ciśnienia bezpieczeństwa.

### Aktywacja ogranicznika ciśnienia bezpieczeństwa



- 1 1-stykowy ogranicznik ciśnienia bezpieczeństwa EIL 4 Plus / EIL 6 Plus
- 2 2-stykowy ogranicznik ciśnienia bezpieczeństwa EIL 3 Plus / EIL 7 Plus

D0000039769

POLSKI

### 14. Konserwacja



**ZAGROŻENIE** porażenia prądem elektrycznym  
Przed przystąpieniem do wszelkich prac należy odłączyć urządzenie na wszystkich biegunach od sieci.

#### 14.1 Opróżnianie urządzenia z wody



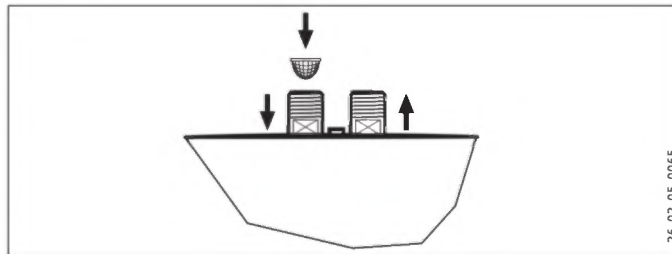
**ZAGROŻENIE** poparzeniem  
Podczas opróżniania z urządzenia może wypłynąć gorąca woda.

Jeśli konieczne jest opróżnienie urządzenia przed przystąpieniem do prac konserwacyjnych lub w razie wystąpienia ryzyka zamarznięcia całej instalacji, należy postępować w następujący sposób:

- ▶ Zamknąć zawór odcinający w instalacji zasilania zimnej wody.
- ▶ Otworzyć zawór poboru wody.
- ▶ Odkręcić przyłącza wody od urządzenia.

#### 14.2 Czyszczenie sitka

Zamontowane sitko można oczyścić po demontażu rurki przyłączeniowej zimnej wody.



#### 14.3 Kontrole wg VDE 0701/0702

##### Kontrola przewodu ochronnego

- ▶ Skontrolować przewód ochrony (w Niemczech np. zgodnie z DGUV A3) na styku przewodu ochronnego elektrycznego przewodu przyłączeniowego oraz na króćcu przyłączeniowym urządzenia.

##### Oporność izolacji

- ▶ Jeśli urządzenie o znamionowej mocy grzewczej > 3,5 kW nie osiąga oporności izolacji 300 kΩ, zalecamy przeprowadzenie kontroli właściwości izolacyjnych tego urządzenia za pomocą pomiaru prądu różnicowego przewodu ochronnego / prądu upływowego wg VDE 0701/0702 (rys C.3b).



# INSTALACJA

## Dane techniczne

### 14.4 Przechowywanie urządzenia

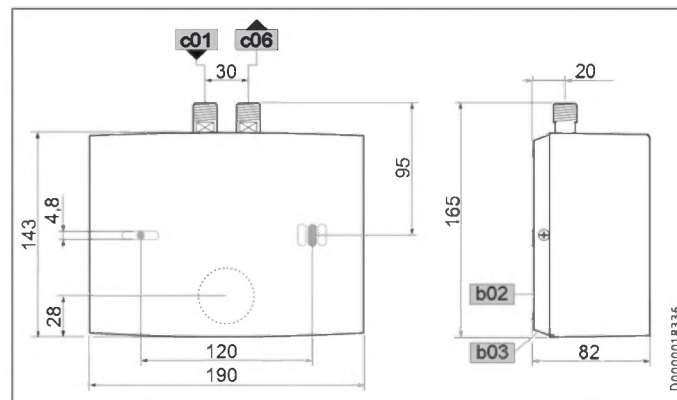
- ▶ Zdemontowane urządzenie przechowywać w miejscu zabezpieczonym przed mrozem, ponieważ resztki wody pozostałe w urządzeniu mogą doprowadzić do jego zamrożenia i uszkodzenia.

### 14.5 Wymiana elektrycznego przewodu przyłączeniowego w EIL 6 Plus

- ▶ W razie wymiany w urządzeniu EIL 6 Plus należy zastosować elektryczny przewód przyłączeniowy o przekroju 4 mm<sup>2</sup>.

## 15. Dane techniczne

### 15.1 Wymiary



b02	Przepust na przewody elektr. I		
b03	Przepust na przewody elektr. II		
c01	Zimna woda, zasilanie	Gwint zewnętrzny	G 3/8 A
c06	Ciepła woda, wyjście	Gwint zewnętrzny	G 3/8 A

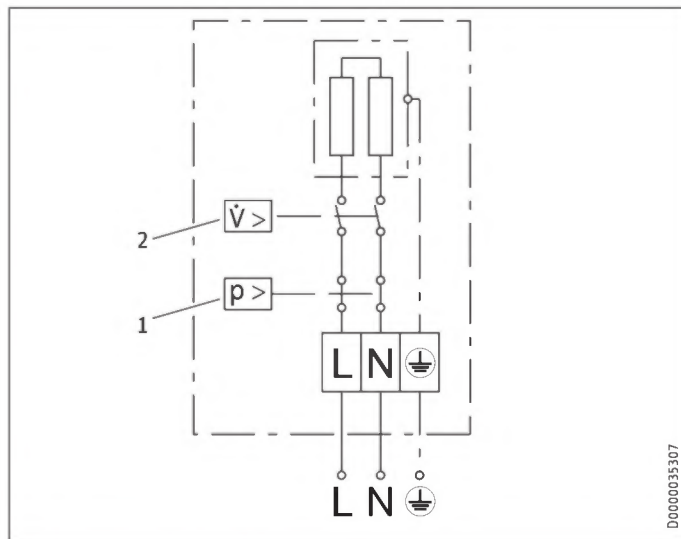
# INSTALACJA

## Dane techniczne

### 15.2 Schemat połączeń elektrycznych

#### 15.2.1 EIL 3 Plus

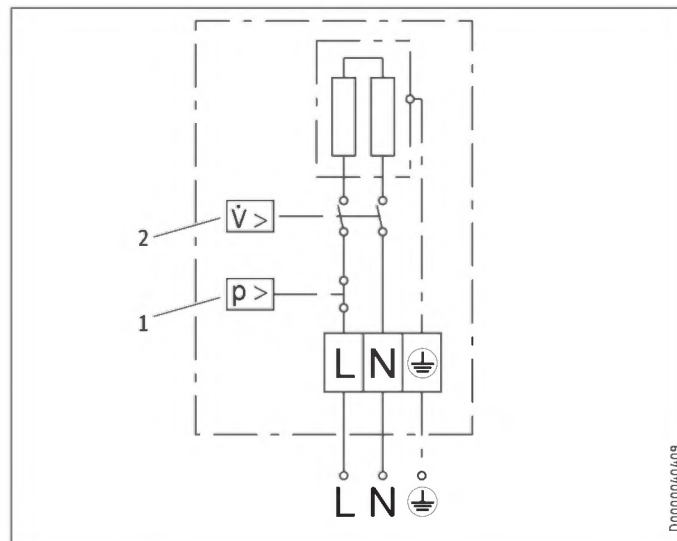
1/N/PE ~ 200-240 V



- 1 Ogranicznik ciśnienia bezpieczeństwa
- 2 Różnicowy przełącznik ciśnieniowy

#### 15.2.2 EIL 4 Plus i EIL 6 Plus

1/N/PE ~ 200-240 V



- 1 Ogranicznik ciśnienia bezpieczeństwa
- 2 Różnicowy przełącznik ciśnieniowy



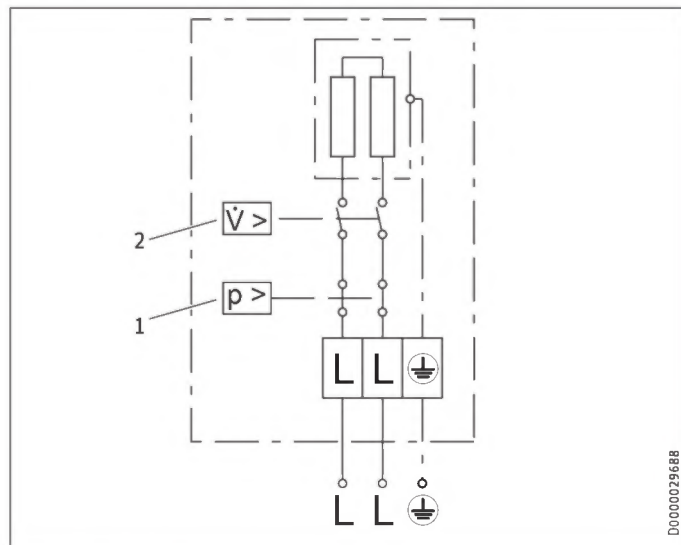
#### Szkody materialne

- ▶ W przypadku podłączenia na stałe elektryczny przewód przyłączeniowy należy podłączyć do zacisku tulejkowego zgodnie z oznaczeniem zacisków.

# INSTALACJA

## Dane techniczne

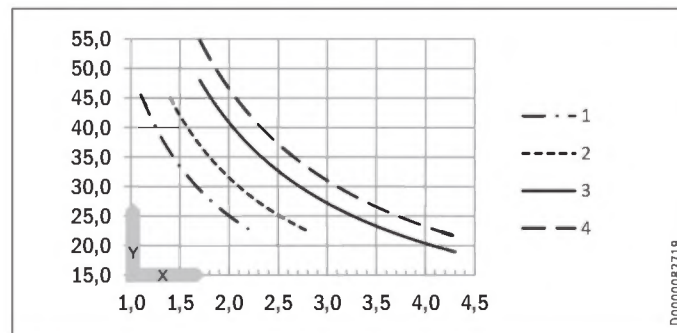
### 15.2.3 EIL 7 Plus 2/PE ~ 380-415 V



- 1 Ogranicznik ciśnienia bezpieczeństwa
- 2 Różnicowy przełącznik ciśnieniowy

### 15.3 Podwyższenie temperatury

Przy napięciu 230 V / 400 V uzyskuje się następujące podwyższenia temperatury wody:



- X Przepływ w l/min  
Y Podwyższenie temperatury w K
- 1 3,5 kW - 230 V
  - 2 4,4 kW - 230 V
  - 3 5,7 kW - 230 V
  - 4 6,5 kW - 400 V

#### Przykład EIL 3 Plus z 3,5 kW

Przepływ	l/min	2,0
Podwyższenie temperatury	K	25
Temperatura zasilania zimnej wody	°C	12
Maksymalna możliwa temperatura na wyjściu	°C	37

# INSTALACJA

## Dane techniczne

### 15.4 Zakresy stosowania

Oporność elektryczna właściwa i przewodność elektryczna właściwa, patrz „Tabela danych”.

Wartość znamionowa przy 15 °C			20 °C			25 °C		
Oporność właściwa $\rho \geq$	Przewodność właściwa $\sigma \leq$	$\mu\text{S/cm}$	Oporność właściwa $\rho \geq$	Przewodność właściwa $\sigma \leq$	$\mu\text{S/cm}$	Oporność właściwa $\rho \geq$	Przewodność właściwa $\sigma \leq$	$\mu\text{S/cm}$
$\Omega \text{ cm}$	$\text{mS/m}$	$\mu\text{S/cm}$	$\Omega \text{ cm}$	$\text{mS/m}$	$\mu\text{S/cm}$	$\Omega \text{ cm}$	$\text{mS/m}$	$\mu\text{S/cm}$
1100	91	909	970	103	1031	895	112	1117

### 15.5 Dane dotyczące zużycia energii

Karta danych produktu: Konwencjonalny podgrzewacz ciepłej wody użytkowej zgodnie z rozporządzeniem (UE) nr 812/2013 | 814/2013

	EIL 3 Plus	EIL 4 Plus	EIL 6 Plus	EIL 7 Plus
	200138	200139	200140	200141
Producent	STIEBEL ELTRON	STIEBEL ELTRON	STIEBEL ELTRON	STIEBEL ELTRON
Profil obciążeń	XXS	XXS	XXS	XS
Klasa efektywności energetycznej	A	A	A	A
Sprawność energetyczna	%	39	39	40
Roczne zużycie prądu	kWh	478	478	467
Poziom mocy akustycznej	dB(A)	15	15	15
Szczególne uwagi dotyczące pomiaru efektywności	Brak	Brak	Brak	Brak
Dzienne zużycie prądu	kWh	2,200	2,200	2,130

# INSTALACJA

## Dane techniczne

### 15.6 Tabela danych

		EIL 3 Plus				EIL 4 Plus				EIL 6 Plus				EIL 7 Plus		
		200138				200139				200140				200141		
<b>Dane elektryczne</b>																
Napięcie znamionowe	V	200	220	230	240	200	220	230	240	200	220	230	240	380	400	415
Moc znamionowa	kW	2,7	3,2	3,53	3,8	3,3	4,0	4,4	4,8	4,3	5,2	5,7	6,2	5,9	6,5	7,0
Prąd znamionowy	A	13,3	14,5	15,2	15,8	16,7	18,2	19,1	20	21,6	23,6	24,7	25,8	15,5	16,3	16,9
Zabezpieczenie	A	16				20				25	25	25	32	16	20	20
Częstotliwość	Hz	50/60				50/60				50/60				50/60	50/60	50/-
Fazy		1/N/PE				1/N/PE				1/N/PE				2/PE		
Oporność właściwa $\rho_{15} \geq$	$\Omega$ cm	1100				1100				1100				1100		
Przewodność właściwa $\sigma_{15} \leq$	$\mu$ S/cm	909				909				909				909		
Maks. impedancja sieci przy 50 Hz	$\Omega$									0,394	0,377	0,361				
<b>Przyłącza</b>																
Przyłącze wody		G 3/8 A				G 3/8 A				G 3/8 A				G 3/8 A		
<b>Granice stosowania</b>																
Maks. dopuszczalne ciśnienie	MPa	1				1				1				1		
<b>Parametry</b>																
Maks. dopuszczalna temperatura wody na zasilaniu	$^{\circ}$ C	35				35				35				35		
Włączone	l/min	> 1,6				> 2,0				> 2,6				> 2,6		
Spadek ciśnienia przy przepływie	MPa	0,05				0,06				0,08				0,08		
Przepływ przy spadku ciśnienia	l/min	1,6				2,0				2,6				2,6		
Ograniczenie przepływu przy	l/min	2,2				2,8				4,3				4,3		
Wydajność CWU	l/min	2,0				2,5				3,2				3,7		
$\Delta\theta$ przy wydajności	K	25				25				25				25		
<b>Dane hydrauliczne</b>																
Pojemność znamionowa	l	0,1				0,1				0,1				0,1		

# INSTALACJA

## Dane techniczne

		EIL 3 Plus	EIL 4 Plus	EIL 6 Plus	EIL 7 Plus
<b>Wykonania</b>					
Montaż poniżej punktu poboru		X	X	X	X
Konstrukcja bezciśnieniowa		X	X	X	X
Konstrukcja ciśnieniowa		X	X	X	X
Klasa ochrony		1	1	1	1
Blok izolacyjny		Tworzywo sztuczne	Tworzywo sztuczne	Tworzywo sztuczne	Tworzywo sztuczne
Wytwornica ciepła systemu grzewczego		Z odkrytą grzałką	Z odkrytą grzałką	Z odkrytą grzałką	Z odkrytą grzałką
Pokrywa i ścianka tylna		Tworzywo sztuczne	Tworzywo sztuczne	Tworzywo sztuczne	Tworzywo sztuczne
Kolor		Biały	Biały	Biały	Biały
Stopień ochrony (IP)		IP25	IP25	IP25	IP25
<b>Wymiary</b>					
Wysokość	mm	143	143	143	143
Szerokość	mm	190	190	190	190
Głębokość	mm	82	82	82	82
Długość przewodu przyłączeniowego	mm	700	700	700	700
<b>Masy</b>					
Masa	kg	1,4	1,4	1,4	1,4



### Wskazówka

Urządzenie jest zgodne z IEC 61000-3-12.

## Gwarancja

Urządzeń zakupionych poza granicami Niemiec nie obejmują warunki gwarancji naszych niemieckich spółek. Ponadto w krajach, w których jedna z naszych spółek córek jest dystrybutorem naszych produktów, gwarancji może udzielić wyłącznie ta spółka. Taka gwarancja obowiązuje tylko wówczas, gdy spółka-córka sformułowała własne warunki gwarancji. W innych przypadkach gwarancja nie jest udzielana.

Nie udzielamy gwarancji na urządzenia zakupione w krajach, w których żadna z naszych spółek córek nie jest dystrybutorem naszych produktów. Ewentualne gwarancje udzielone przez importera zachowują ważność.

## Ochrona środowiska i recycling

- ▶ Urządzenia i materiały po ich wykorzystaniu należy utylizować zgodnie z krajowymi przepisami.



- ▶ Jeśli na urządzeniu znajduje się symbol przekreślonego pojemnika na odpady, w celu ponownego użycia i utylizacji urządzenie należy przekazać do komunalnych punktów zbiórki lub punktów odbioru w sieci sprzedaży.



PAP

Ten dokument został wydrukowany na papierze nadającym się do recyklingu.

- ▶ Po wycofaniu urządzenia z eksploatacji dokument należy zutylizować zgodnie z krajowymi przepisami.

## INDICAȚII SPECIALE

### OPERARE

<b>1. Instrucțiuni generale</b>	<b>114</b>
1.1 Indicații de siguranță	114
1.2 Alte marcaje în această documentație	115
1.3 Unități de măsură	115
<b>2. Siguranța</b>	<b>116</b>
2.1 Utilizarea conformă cu destinația	116
2.2 Indicații generale de siguranță	116
2.3 Marcaj de verificare	116
<b>3. Descrierea instalației</b>	<b>117</b>
<b>4. Setările</b>	<b>117</b>
<b>5. Curățarea, îngrijirea și întreținerea</b>	<b>117</b>
<b>6. Remedierea problemelor</b>	<b>118</b>

### INSTALARE

<b>7. Siguranța</b>	<b>118</b>
7.1 Indicații generale de siguranță	118
7.2 Prevederi, norme și reglementări	119
<b>8. Descrierea instalației</b>	<b>119</b>
8.1 Conținutul livrării	119
8.2 Accesorii	119
<b>9. Pregătiri</b>	<b>120</b>
<b>10. Montaj</b>	<b>120</b>
10.1 Loc montaj	120
10.2 Alternative de montaj	120

10.3 Realizare conexiuni electrice	123
<b>11. Punerea în funcțiune</b>	<b>123</b>
11.1 Prima punere în funcțiune	123
11.2 Predarea aparatului	124
11.3 Repunerea în funcțiune	124
<b>12. Oprirea aparatului</b>	<b>124</b>
<b>13. Remedierea perturbațiilor</b>	<b>124</b>
<b>14. Întreținerea</b>	<b>125</b>
14.1 Golirea aparatului	125
14.2 Curățați sita	126
14.3 Verificări conform VDE 0701/0702	126
14.4 Depozitarea aparatului	126
14.5 Înlocuirea cablului electric la EIL 6 Plus	126
<b>15. Date tehnice</b>	<b>127</b>
15.1 Dimensiuni	127
15.2 Schemă de conexiune electrică	127
15.3 Creșterea temperaturii	129
15.4 Domenii de utilizare	129
15.5 Informații privind consumul de energie	130
15.6 Tabel de date	131

### GARANȚIE

### MEDIU ȘI RECICLARE



## INDICAȚII SPECIALE

- Aparatul poate fi utilizat atât de copii peste 3 ani, cât și de persoanele cu capacități corporale, senzoriale sau mentale reduse sau cu deficiențe privind experiența și cunoștințele, dacă au fost supravegheate ori instruite referitor la utilizarea sigură a aparatului și la pericolele care rezultă astfel. Copiii nu au voie să se joace cu aparatul. Curățarea și întreținerea realizate de utilizator nu pot fi executate de copii fără supraveghere.
- Garnitura poate atinge în timpul utilizării o temperatură de peste 50 °C. În cazul temperaturilor de ieșire mai mari de 43 °C există pericolul de opărire.
- Aparatul nu este adecvat pentru alimentarea unui duș (funcționare ca duș).
- Aparatul trebuie deconectat de la rețeaua de curent de la toți polii pe o distanță minimă de 3 mm.
- Tensiunea indicată trebuie să corespundă tensiunii de rețea.
- Aparatul trebuie conectat permanent la un cablaj fix, excepție EIL 3 Plus.
- Înlocuirea cablului electric de racordare la rețea în caz de deteriorare este permis să fie efectuată numai de către un electrician autorizat de către producător cu o piesă de schimb originală.
- Fixați aparatul ca la descrierea din capitolul „Instalarea / Montajul”.
- Respectați presiunea maximă admisă (vezi capitolul „Date tehnice / Tabel de date”).

### Instrucțiuni generale

- Rezistența specifică a apei din rețeaua de alimentare cu apă nu are voie să fie depășită (vezi capitolul „Instalare / Date tehnice / Tabel de date”).
- Goliți aparatul conform descrierii din capitolul „Instalarea / Întreținerea / Golirea aparatului”.

## OPERARE

### 1. Instrucțiuni generale

Capitolul „Comandă” se adresează utilizatorului aparatului și tehnicianului de specialitate.

Capitolul „Instalare” se adresează tehnicianului de specialitate.



#### Indicație

Citiți cu atenție aceste instrucțiuni înaintea utilizării și păstrați-le bine.

Predați de asemenea instrucțiunile de utilizare următorului utilizator.

#### 1.1 Indicații de siguranță

##### 1.1.1 Structura instrucțiunilor de siguranță



#### CUVÂNT DE SEMNALIZARE Tipul pericolului




Aici sunt înscrise posibilele urmări ale nerespectării indicațiilor de siguranță.

► Aici sunt înscrise măsurile de protecție contra pericolului.

## OPERARE

### Instrucțiuni generale

#### 1.1.2 Simboluri, tipul pericolului

Simbol	Tipul pericolului
	Rănire
	Electrocutare
	Arsură (arsură, opărire)

#### 1.1.3 Cuvinte semnal

CUVÂNT SEM- NAL	Semnificație
PERICOL	Indicații, a căror nerespectare cauzează răniri grave sau deces.
AVERTIZARE	Indicații, a căror nerespectare poate cauza răniri grave sau deces.
ATENȚIE	Indicații, a căror nerespectare poate cauza răniri de gravitate medie sau ușoară.

#### 1.2 Alte marcaje în această documentație



##### Indicație

Indicațiile sunt încadrate de linii orizontale deasupra și dedesubtul textului. Indicațiile generale sunt marcate cu simbolul alăturat.

► Citiți cu atenție textele acestor indicații.

##### Simbol

##### Semnificație



Pagube materiale (deteriorarea aparatelor, deteriorări consecutive, poluarea mediului înconjurător)



Scoaterea din uz a aparatelor

► Acest simbol vă arată că trebuie să acționați. Manevrelle necesare vor fi descrise pas cu pas.

#### 1.3 Unități de măsură



##### Indicație

Dacă a fost altfel precizat, unitățile de măsură utilizate sunt milimetri.

## 2. Siguranța

### 2.1 Utilizarea conformă cu destinația

Aparatul este prevăzut pentru instalarea în mediul casnic. Poate fi utilizat în siguranță de persoane neinstruite. Aparatul poate fi utilizat și în spații nedestinate locuirii, de exemplu în mici ateliere, în măsura în care exploatarea se realizează în același mod.

Aparatul este conceput pentru încălzirea apei potabile. Aparatul este destinat utilizării pentru un lavoar.

O altfel de utilizare nu este considerată conformă. Pentru o utilizare conformă cu destinația trebuie respectate aceste instrucțiuni precum și instrucțiunile accesoriilor utilizate.

### 2.2 Indicații generale de siguranță



#### PERICOL de opărire

Garnitura poate atinge în timpul utilizării o temperatură de peste 50 °C. În cazul temperaturilor de ieșire mai mari de 43 °C există pericolul de opărire.



#### AVERTIZARE Rănire

Aparatul poate fi utilizat atât de copii peste 3 ani, cât și de persoanele cu capacități corporale, senzoriale sau mentale reduse sau cu deficiențe privind experiența și cunoștințele, dacă au fost supravegheate ori instruite referitor la utilizarea sigură a aparatului și la pericolele care rezultă astfel. Copiii nu au voie să se joace cu aparatul. Curățarea și întreținerea realizate de utilizator nu pot fi executate de copii fără supraveghere.



#### PERICOL de electrocutare

Cablul electric de racordare deteriorat trebuie înlocuit de un tehnician de specialitate. Se exclude astfel o posibilă periclitate.



#### Pagube materiale

Protejați aparatul și armătura contra înghețului.



#### Pagube materiale

Utilizați numai regulatorul de jet special livrat în pachet. Preveniți depunerile de calcar la garniturile de evacuare (vezi capitolul „Curățarea / Îngrijirea și întreținerea”).

### 2.3 Marcaj de verificare

Vezi placa de identificare la aparat.

#### 3. Descrierea instalației

Mini-încălzitorul instant controlat hidraulic încălzește apa direct la locul de extracție. La deschiderea armăturii se cuplează puterea de încălzire automat. La deschiderea armăturii se cuplează puterea de încălzire automat. Prin intermediul conductelor scurte se reduc pierderile de energie și apă.

Conducta apă caldă depinde de temperatura apei reci, de capacitatea de încălzire și de debit.

Sistemul de căldură cu conductor neizolat este adecvat atât pentru apă săracă în calcar cât și pentru apă cu conținut de calcar. Sistemul de încălzire nu este sensibil la depunerea de calcar. Sistemul de încălzire asigură o alimentare rapidă și eficientă a apei calde la lavoar.

La montarea regulatorului de jet special anexat obțineți un jet optim de apă.

#### 4. Setările

În momentul în care deschideți robinetul de apă caldă la armătură sau se acționează senzorul la armătura cu senzor, sistemul de încălzire al aparatului se cuplează automat. Apa se încălzește. Puteți modifica temperatura apei prin intermediul armăturii:

Pentru cantitățile de pornire vezi capitolul „Date tehnice / Tabel de date / Pornire”.

#### Creșterea temperaturii

- ▶ Reglați debitul prin intermediul armăturii.

#### Reducerea temperaturii

- ▶ Deschideți mai mult armătura sau amestecați cu mai multă apă rece.

#### După întreruperea alimentării cu apă

Vezi capitolul „Punerea în funcțiune / Repunerea în funcțiune”.

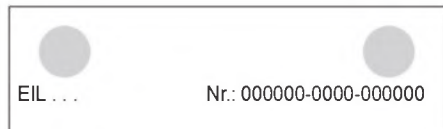
#### 5. Curățarea, îngrijirea și întreținerea

- ▶ Nu utilizați detergenți abrazivi sau solvenți. Pentru îngrijirea și curățarea aparatului este suficientă o lavetă umedă.
- ▶ Controlați garniturile în mod regulat. Calcarul depus la căile de evacuare ale bateriei se poate îndepărta cu soluții de decalcifiere din comerț.
- ▶ Lăsați la verificat în mod regulat siguranța electrică a aparatului de către un specialist.
- ▶ Decalcificați sau înlocuiți în mod regulat regulatorul de jet special din armătură (vezi capitolul „Descrierea aparatului / Accesorii”).

### 6. Remedierea problemelor

Problemă	Cauză	Remediere
Sistemul de încălzire nu se conectează, cu toate că robinetul de apă caldă a fost deschisă complet.	La aparat nu există tensiune de alimentare.	Verificați siguranța la tabloul electric.
	La regulatorul de jet din armătură sunt depunerii de calcar sau este murdar.	Curățați și / sau decalcificați regulatorul de jet sau înlocuiți regulatorul de jet special.
	Alimentarea cu apă este întreruptă.	Aerisiți aparatul și conducta de alimentare cu apă rece (vezi capitolul „Instalări”).

Dacă nu puteți remedia cauza, contactați tehnicianul de specialitate. Pentru un ajutor mai bun și mai rapid, comunicați acestuia numărul de pe placa de identificare cu (000000-0000-000000).



## INSTALARE

### 7. Siguranța

Instalarea, punerea în funcțiune, precum și întreținerea și repararea aparatului nu sunt permise decât tehnicianului de specialitate.

#### 7.1 Indicații generale de siguranță

Buna funcționare și siguranța aparatului sunt garantate numai dacă sunt utilizate accesoriile și piesele de schimb originale prevăzute pentru aparat.



#### Pagube materiale

Respectați temperatura maximă de alimentare admisă. La temperaturi mai înalte aparatul se poate deteriora. Cu o armătură termostatăă centrală puteți limita temperatura de intrare.

#### 7.2 Prevederi, norme și reglementări



##### Indicație

Respectați toate prevederile și reglementările naționale și locale.

Rezistența electrică specifică a apei nu trebuie să fie mai mică decât cea indicată pe placa de identificare. În cazul unei rețele colective de apă respectați rezistența electrică cea mai redusă a apei (vezi capitolul „Date tehnice / Tabel de date”). Rezistența electrică specifică, sau conductibilitatea electrică a apei, o veți afla de la întreprinderea locală de alimentare a apei.

## 8. Descrierea instalației

### 8.1 Conținutul livrării

Împreună cu aparatul sunt livrate:

- Sită pentru alimentarea cu apă rece
- Regulator de jet special
- Furtun de racord 3/8, 500 mm lungime, cu garnituri de etanșare\*
- Piesă în T 3/8\*

\* pentru racordarea ca aparat sub presiune

### 8.2 Accesorii

#### Regulator de jet special



##### Indicație

La montarea unui regulator de jet special în armătură obțineți un jet optim de apă.

#### Garnituri

- Utilizați armături adecvate.

#### Armături sub presiune

Armături adecvate rezistente la presiune puteți procura în magazinele de specializate.

#### Armături fără presiune

- MAW (OT) - armătură perete fără presiune
- MAZ (UT) - armătură perete fără presiune cu doi robineti
- MAE-W (UTE) - armătură perete fără presiune cu o manetă

### 9. Pregătiri

- ▶ Purjați temeinic conducta de apă.

#### Instalație apă

Nu este necesar un ventil de siguranță.

### 10. Montaj

#### 10.1 Loc montaj

Montați aparatul într-o încăpere ferită de îngheț în apropierea unei armături de extragere.

Acordați atenție accesului lateral facil la șuruburile de fixare a capacelor.

Aparatul este adecvat numai montajului sub chiuvetă (racorduri de apă în sus).



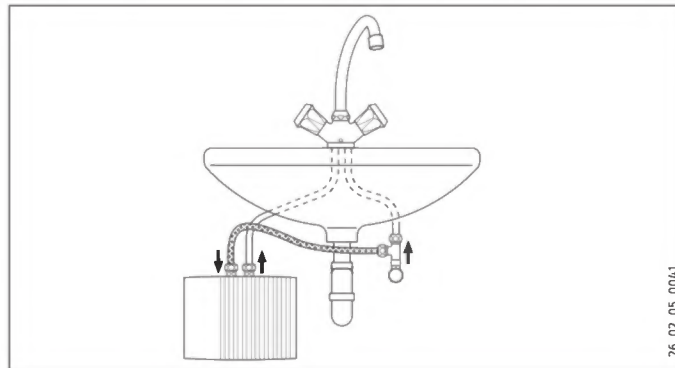
**PERICOL de electrocutare**

Tipul de protecție IP25 este prevăzut numai dacă panoul din spate al aparatului este montat.

- ▶ Montați întotdeauna panoul din spate al aparatului.

#### 10.2 Alternative de montaj

##### Montaj sub chiuvetă, sub presiune, cu armătură sub presiune

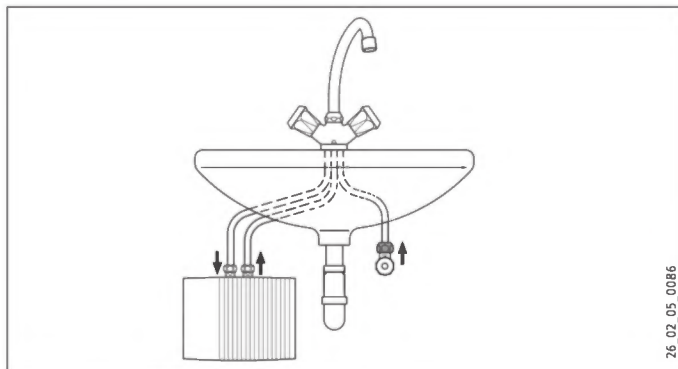




# INSTALARE

## Montaj

### Montarea sub chiuvetă, fără presiune, cu armătură fără presiune



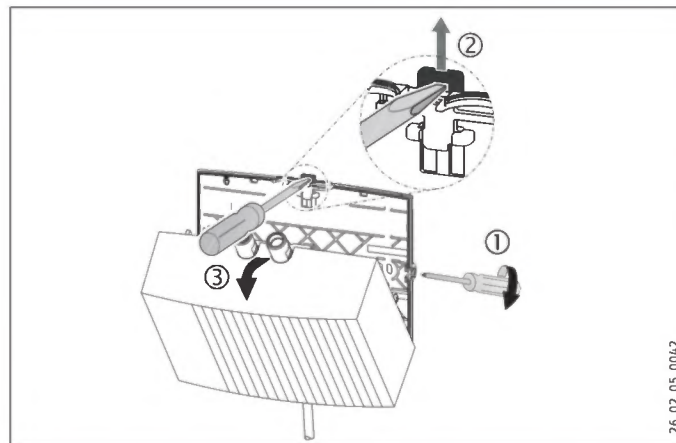
#### 10.2.1 Montarea aparatului



#### Indicație

Peretele trebuie să aibă o capacitate portantă suficientă.

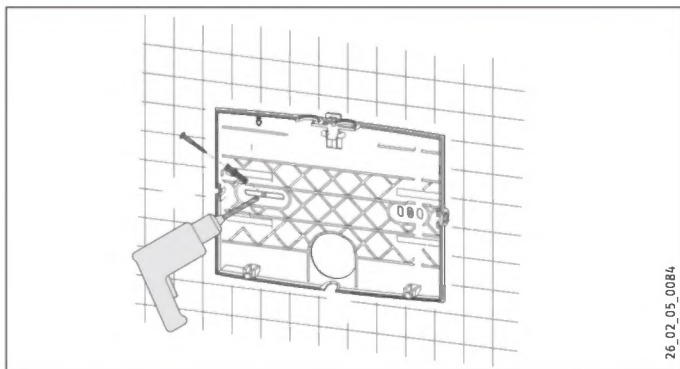
- ▶ Montați aparatul la perete.



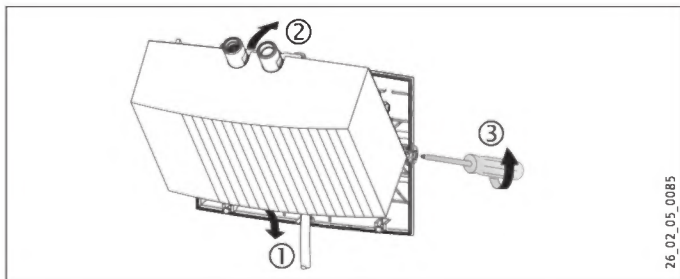
- ▶ Desfaceți șuruburile de fixare ale capacului cu două rotații.
- ▶ Deblocați închiderea cu resort cu o șurubelniță.
- ▶ Scoateți capacul aparatului cu sistem de încălzire în față.
- ▶ Realizați trecerile pentru cablul electric în capacul aparatului cu ajutorul unui clește. Corectați conturul event. cu o pilă.

## INSTALARE

### Montaj



- ▶ Utilizați panoul din spatele aparatului drept șablon de găurire.
- ▶ Fixați panoul din spatele aparatului cu dibluri și șuruburi adecvate la perete.



- ▶ Introduceți cablul electric prin orificiul de trecere al panoului din spate.
- ▶ Atârnați capacul aparatului împreună cu sistemul de încălzire la partea inferioară.
- ▶ Blocați sistemul de încălzire în închizătoarea cu resort.
- ▶ Fixați capacul aparatului cu șuruburile de fixare ale capacului.

#### 10.2.2 Montarea armăturii



#### Pagube materiale

La montarea tuturor racordurilor trebuie să țineți contra la aparat cu o cheie SW 14.

#### Racord rezistent la presiune

- ▶ Montați furtunul de racordare 3/8 și piesa în T 3/8, livrate împreună cu aparatul.
- ▶ Montați armătura. Acordați atenție la efectuarea acestei operațiuni și instrucțiunilor de instalare și utilizare ale armăturii.

#### Racord fără presiune

- ▶ Montați armătura. Acordați atenție la efectuarea acestei operațiuni și instrucțiunilor de instalare și utilizare ale armăturii.

### 10.3 Realizare conexiuni electrice



#### PERICOL de electrocutare

Efectuați toate lucrările de conexiune și instalare conform prevederilor.



#### PERICOL de electrocutare

Acordați atenție ca aparatul să fie conectat la conductorul de protecție.

Aparatul trebuie deconectat de la rețeaua de curent de la toți polii pe o distanță minimă de 3 mm.



#### PERICOL de electrocutare

În starea de livrare, aparatele sunt echipate cu un cablu electric (EIL 3 Plus cu ștecăr).

O conectare la un cablu electric pozat fix este posibilă dacă aceasta are o secțiune minimă corespunzătoare cablului electric de serie al aparatului. Maxim este posibilă o secțiune a cablului de 3 x 6 mm<sup>2</sup>.



#### Pagube materiale

Acordați atenție faptului ca la racordarea unei prize cu contact de protecție (în cazul unui cablu electric cu ștecăr) ca priza cu contact de protecție să fie liber accesibilă după instalarea aparatului.



#### Pagube materiale

Observați placa de identificare a aparatului. Tensiunea indicată trebuie să corespundă tensiunii de rețea.

- ▶ Conectați cablul electric în conformitate cu planul electric (vezi capitolul „Date tehnice / Schema de conexiuni electrice”).

## 11. Punerea în funcțiune

### 11.1 Prima punere în funcțiune



- ▶ Umpleți aparatul prin mai multe porniri succesive la armătură până când rețeaua de conducte și aparatul nu mai conțin aer.
- ▶ Realizați un control al etanșeității.
- ▶ Introduceți ștecărul cu cablu electric, dacă este prevăzut, în priza cu contact de protecție sau cuplați siguranța.
- ▶ Verificați modul de funcționare al aparatului.

## Oprirea aparatului

### 11.2 Predarea aparatului

- ▶ Explicați utilizatorului funcționarea aparatului și obișnuiți-l cu utilizarea acestuia.
- ▶ Avertizați utilizatorul asupra posibilelor pericole, în special asupra pericolului de opărire.
- ▶ Predați aceste instrucțiuni.

### 11.3 Repunerea în funcțiune



#### Pagube materiale

După întreruperea alimentării cu apă repuneți în funcțiune aparatul urmând următorii pași, pentru a nu se distruge sistemul de încălzire cu conductori neizolați.

- ▶ Decuplați aparatul de la tensiune. Scoateți pentru aceasta ștecărul cu cablu electric, dacă este prevăzut, sau decuplați siguranța.
- ▶ Vezi capitolul „Prima punere în funcțiune”.

## 12. Oprirea aparatului

- ▶ Separați aparatul de la tensiunea de alimentare de la siguranța din tabloul electric sau scoateți ștecărul cu cablu electric din priză.
- ▶ Goliți aparatul (vezi capitolul „Întreținerea”).

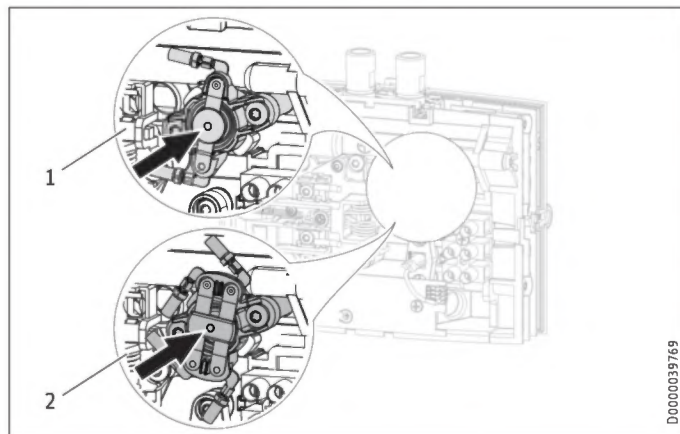
## 13. Remedierea perturbațiilor

Problemă	Cauză	Remediere
Sistemul de încălzire nu se conectează, cu toate că robinetul de apă caldă a fost deschisă complet.	La regulatorul de jet din armătură sunt depuneri de calcar sau este murdar.	Curățați și / sau decalcificați regulatorul de jet sau înlocuiți regulatorul de jet special.
	Sita din conducta de apă rece este înfundată.	Curățați sita după blocarea alimentării cu apă rece.
	Sistemul de încălzire este defect.	Măsurați rezistența sistemului de încălzire, event. înlocuiți aparatul.
	Limitatorul de presiune de protecție s-a declanșat.	Remediați sursa defecțiunii. Eliberați aparatul de sub tensiune și depresurizați conducta de apă. Activați limitatorul presiunii de protecție.

# INSTALARE

## Întreținerea

### Activați limitatorul presiunii de protecție



- 1 Limitator presiune de protecție 1 pin EIL 4 Plus / EIL 6 Plus
- 2 Limitator presiune de protecție 2 pin EIL 3 Plus / EIL 7 Plus

D0000039769

## 14. Întreținerea



**PERICOL de electrocutare**  
Separați aparatul de la rețea de la toți polii la efectuarea tuturor lucrărilor.

### 14.1 Golirea aparatului



**PERICOL de opărire**  
La golire se poate scurge și apă încinsă.

Dacă trebuie să goliți aparatul în vederea lucrărilor de întreținere sau la pericol de îngheț pentru protecția întregii instalații procedați în felul următor:

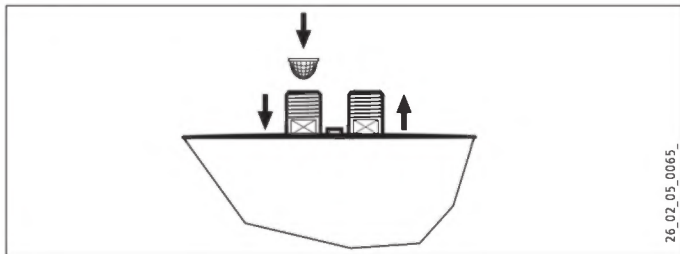
- ▶ Închideți vana de blocare din conducta de alimentare cu apă rece.
- ▶ Deschideți ventilul de extragere.
- ▶ Desfaceți racordurile de apă de la aparat.

## INSTALARE

### Întreținerea

#### 14.2 Curățați sita

Puteți curăța sita integrată după demontarea conductei de apă rece.



#### 14.3 Verificări conform VDE 0701/0702

##### Verificarea conductorului de împământare

- ▶ Verificați conductorul de protecție (în Germania de ex. DGUV A3) la contactul conductorului de protecție al cablului electric și la ștuțul de racordare al aparatului.

##### Rezistență izolație

- ▶ Dacă un aparat cu un randament caloric de > 3,5 kW nu atinge rezistența de izolație de 300 kΩ, atunci recomandăm să verificați proprietățile de izolație ale acestui aparat cu ajutorul măsurării curentului diferențial la curentul conductorului împământare / curentul de scurgere conform VDE 0701/0702 (figura C.3b).

#### 14.4 Depozitarea aparatului

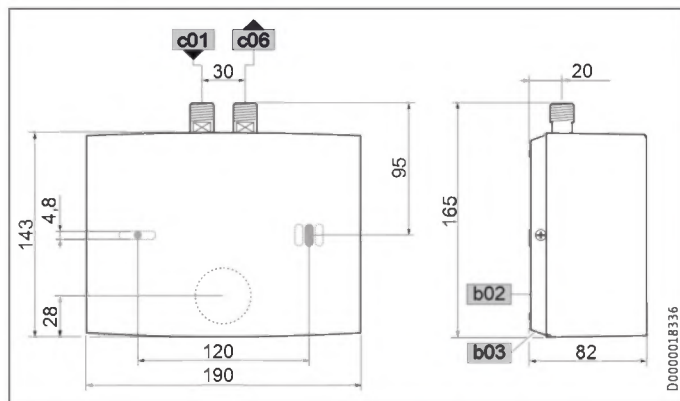
- ▶ Depozitați aparatul demontat într-o încăpere ferită de îngheț, deoarece apa reziduală din aparat ar putea îngheța și provoca avarii.

#### 14.5 Înlocuirea cablului electric la EIL 6 Plus

- ▶ La EIL 6 Plus trebuie să folosiți în caz de înlocuire un cablu electric de 4 mm<sup>2</sup>.

### 15. Date tehnice

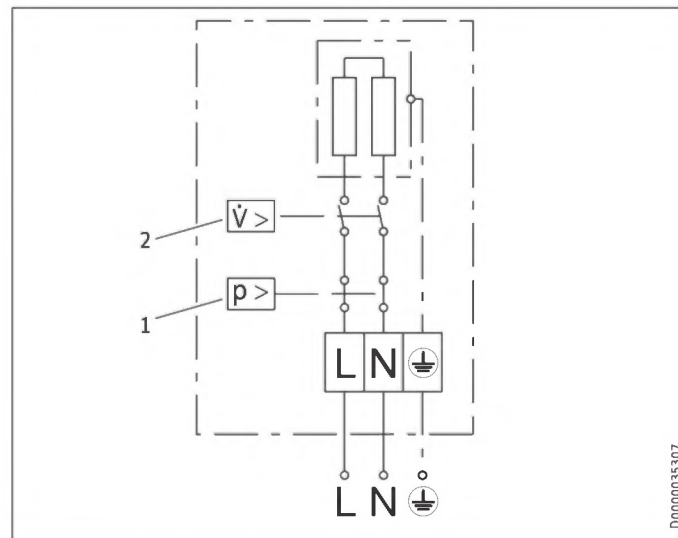
#### 15.1 Dimensiuni



b02	Executarea cablărilor elect. I		
b03	Executarea cablărilor elect. II		
c01	Alimentarea cu apă rece	Filet exterior	G 3/8 A
c06	Evacuare apă caldă	Filet exterior	G 3/8 A

### 15.2 Schemă de conexiune electrică

#### 15.2.1 EIL 3 Plus 1/N/PE ~ 200-240 V

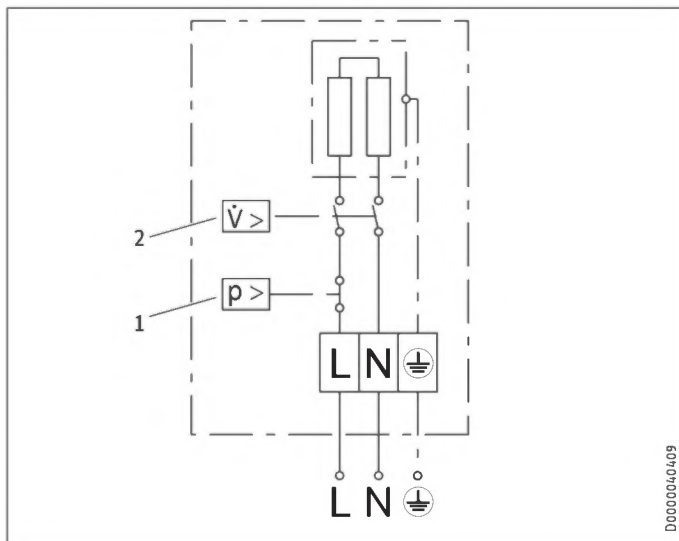


- 1 Limitatorul presiunii de siguranță
- 2 Comutator diferențial presiune

# INSTALARE

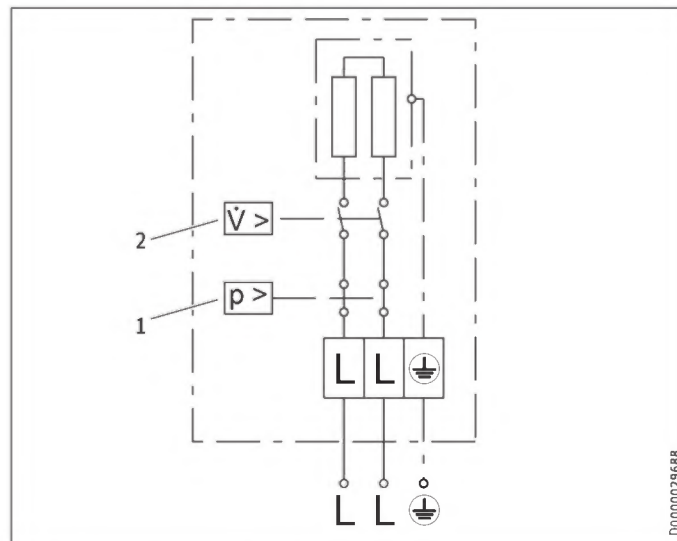
## Date tehnice

### 15.2.2 EIL 4 Plus și EIL 6 Plus 1/N/PE ~ 200-240 V



- 1 Limitatorul presiunii de siguranță
- 2 Comutator diferențial presiune

### 15.2.3 EIL 7 Plus 2/PE ~ 380-415 V



- 1 Limitatorul presiunii de siguranță
- 2 Comutator diferențial presiune



#### Pagube materiale

- La racordare fixă conectați cablul electric conform marcajelor bornelor prizei.

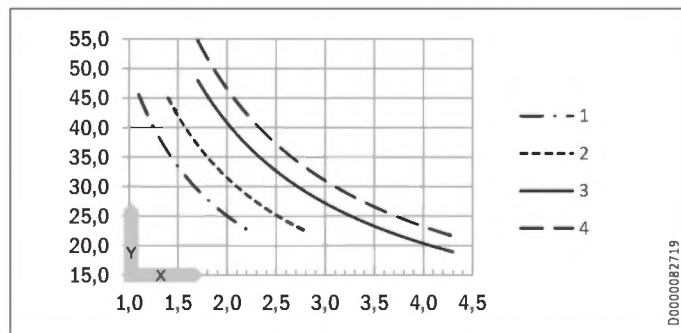


# INSTALARE

## Date tehnice

### 15.3 Creșterea temperaturii

La o tensiune de 230 V / 400 V rezultă următoarele creșteri ale temperaturii apei:



X Debit în l/min

Y Creștere temperatură în K

1 3,5 kW - 230 V

2 4,4 kW - 230 V

3 5,7 kW - 230 V

4 6,5 kW - 400 V

#### Exemplu EIL 3 Plus cu 3,5 kW

Debit	l/min	2,0
Creșterea temperaturii	K	25
Temperatură intrare apă rece	°C	12
Temperatură ieșire maxim posibilă	°C	37

### 15.4 Domenii de utilizare

Pentru rezistența și conductibilitatea electrică specifică, vezi „Tabel de date”.

Date normate la 15 °C			20 °C			25 °C		
Rezistența specifică $\rho \geq$	Conductibilitate specifică $\sigma \leq$	$\mu S/cm$	Rezistența specifică $\rho \geq$	Conductibilitate specifică $\sigma \leq$	$\mu S/cm$	Rezistența specifică $\rho \geq$	Conductibilitate specifică $\sigma \leq$	$\mu S/cm$
$\Omega cm$	mS/m		$\Omega cm$	mS/m		$\Omega cm$	mS/m	
1100	91	909	970	103	1031	895	112	1117

# INSTALARE

## Date tehnice

### 15.5 Informații privind consumul de energie

Fișă de date produs: Preparator de apă caldă convențional conform ordonanței (UE) nr. 812/2013 | 814/2013

		EIL 3 Plus	EIL 4 Plus	EIL 6 Plus	EIL 7 Plus
		200138	200139	200140	200141
Producător		STIEBEL ELTRON	STIEBEL ELTRON	STIEBEL ELTRON	STIEBEL ELTRON
Profil de sarcină		XXS	XXS	XXS	XS
Clasa de eficiență energetică		A	A	A	A
Randamentul energetic	%	39	39	39	40
Consum anual energie electrică	kWh	478	478	478	467
Nivelul puterii acustice	dB(A)	15	15	15	15
Indicații speciale privind măsurarea eficienței		fără	fără	fără	fără
Consum zilnic de energie electrică	kWh	2,200	2,200	2,200	2,130

# INSTALARE

## Date tehnice

### 15.6 Tabel de date

		EIL 3 Plus				EIL 4 Plus				EIL 6 Plus				EIL 7 Plus		
		200138				200139				200140				200141		
<b>Date electrice</b>																
Tensiune nominală	V	200	220	230	240	200	220	230	240	200	220	230	240	380	400	415
Putere nominală	kW	2,7	3,2	3,53	3,8	3,3	4,0	4,4	4,8	4,3	5,2	5,7	6,2	5,9	6,5	7,0
Curent nominal	A	13,3	14,5	15,2	15,8	16,7	18,2	19,1	20	21,6	23,6	24,7	25,8	15,5	16,3	16,9
Siguranță	A	16				20				25	25	25	32	16	20	20
Frecvență	Hz	50/60				50/60				50/60				50/60	50/60	50/-
Faze		1/N/PE				1/N/PE				1/N/PE				2/PE		
Rezistența specifică p15 ≥	Ω cm	1100				1100				1100				1100		
Conductibilitate specifică σ15 ≤	μS/cm	909				909				909				909		
Impedanță max. rețea la 50Hz	Ω									0,394	0,377	0,361				
<b>Racorduri</b>																
Racordul de apă		G 3/8 A				G 3/8 A				G 3/8 A				G 3/8 A		
<b>Limite de utilizare</b>																
Presiune maximă admisă	MPa	1				1				1				1		
<b>Valori</b>																
Temperatură maximă admisă de intrare apă	°C	35				35				35				35		
Pornit	l/min	> 1,6				> 2,0				> 2,6				> 2,6		
Pierdere presiune la debit volumetric	MPa	0,05				0,06				0,08				0,08		
Debit volumetric pentru pierderea de presiune	l/min	1,6				2,0				2,6				2,6		
Limitarea debitului volumetric la	l/min	2,2				2,8				4,3				4,3		
Prepararea apei calde	l/min	2,0				2,5				3,2				3,7		
Δθ la preparare	K	25				25				25				25		
<b>Date hidraulice</b>																
Capacitate nominală	l	0,1				0,1				0,1				0,1		

## INSTALARE

### Date tehnice

		EIL 3 Plus	EIL 4 Plus	EIL 6 Plus	EIL 7 Plus
<b>Variante de execuție</b>					
Tip montaj sub masă		X	X	X	X
Tipul construcției Deschis		X	X	X	X
Tip construcție, închis		X	X	X	X
Clasă de protecție		1	1	1	1
Bloc de izolare		Plastic	Plastic	Plastic	Plastic
Generator de căldură sistem de încălzire		Fir neizolat	Fir neizolat	Fir neizolat	Fir neizolat
Capacul și panoul spate		Plastic	Plastic	Plastic	Plastic
Culoare		alb	alb	alb	alb
Clasă de protecție (IP)		IP25	IP25	IP25	IP25
<b>Dimensiuni</b>					
Înălțime	mm	143	143	143	143
Lățime	mm	190	190	190	190
Adâncime	mm	82	82	82	82
Lungime cablu	mm	700	700	700	700
<b>Mase</b>					
Masa	kg	1,4	1,4	1,4	1,4



#### Indicație

Aparatul corespunde cu IEC 61000-3-12.

### Garanție

Pentru aparatele procurate din afara Germaniei nu sunt valabile condițiile de garanție ale societăților noastre din Germania. Mai mult, în țările în care produsele noastre sunt distribuite de una din filialele noastre, o garanție este acordată numai de către aceste filiale. O asemenea garanție se acordă numai atunci când filiala a editat propriile condiții de garanție. Nu se acordă nici un fel de garanție în afară de aceasta.

Pentru aparatele care au fost procurate din țări în care nici o filială de a noastră nu distribuie produsele noastre, nu acordăm nici un fel de garanție. Posibilele garanții acordate de către importator rămân de aceea neafectate.

### Mediu și reciclare

- ▶ Debarați aparatul și materialele după utilizare în conformitate cu reglementările naționale.



- ▶ Dacă este reprezentată o pubeză de gunoi tăiată pe aparat duceți aparatul la punctele de colectare municipale sau la punctele de preluare cu amănuntul pentru reutilizare și reciclare.



Acest document este realizat din hârtie reciclabilă.

- ▶ Debarați documentul după încheierea ciclului de viață al aparatului în conformitate cu reglementările naționale.

## KÜLÖNLEGES TUDNIVALÓK

### KEZELÉS

<b>1. Általános tudnivalók</b>	<b>136</b>
1.1 Biztonsági tudnivalók	136
1.2 A dokumentumban használt egyéb jelölések	137
1.3 Mértékegységek	137
<b>2. Biztonság</b>	<b>138</b>
2.1 Rendeltetésszerű használat	138
2.2 Általános biztonsági tudnivalók	138
2.3 Vizsgálati jelölés	139
<b>3. Készülék-leírás</b>	<b>139</b>
<b>4. Beállítások</b>	<b>139</b>
<b>5. Tisztítás, ápolás és karbantartás</b>	<b>139</b>
<b>6. Hibaelhárítás</b>	<b>140</b>

### FELSZERELÉS

<b>7. Biztonság</b>	<b>140</b>
7.1 Általános biztonsági tudnivalók	140
7.2 Előírások, szabványok és rendelkezések	141
<b>8. Készülék-leírás</b>	<b>141</b>
8.1 A készlet tartalma	141
8.2 Tartozékok	141
<b>9. Előkészületek</b>	<b>142</b>
<b>10. Szerelés</b>	<b>142</b>
10.1 Felszerelési hely	142
10.2 Felszerelési variációk	142

10.3 A elektromos csatlakozás kialakítása	145
<b>11. Üzembe helyezés</b>	<b>145</b>
11.1 Első üzembe helyezés	145
11.2 A készülék átadása	146
11.3 Újbóli üzembe helyezés	146
<b>12. Üzemen kívül helyezés</b>	<b>146</b>
<b>13. Üzemzavar-elhárítás</b>	<b>146</b>
<b>14. Karbantartás</b>	<b>147</b>
14.1 A készülék ürítése	147
14.2 A szűrő tisztítása	148
14.3 A VDE 0701/0702 szerinti vizsgálatok	148
14.4 A készülék tárolása	148
14.5 Az elektromos bekötővezeték cseréje az EIL 6 Plus esetén	148
<b>15. Műszaki adatok</b>	<b>149</b>
15.1 Méretek	149
15.2 Elektromos kapcsolási rajz	149
15.3 Hőmérséklet-növelés	151
15.4 Alkalmazási területek	151
15.5 Energiafogyasztási adatok	152
15.6 Adattáblázat	153

## GARANCIA

## KÖRNYEZETVÉDELEM ÉS ÚJRAHASZNOSÍTÁS

## KÜLÖNLEGES TUDNIVALÓK

- A készüléket 3 éves kort betöltött gyermekek, valamint testi, érzékszervi vagy szellemi fogyatékossgal élők, nem hozzáértő és a terméket nem ismerő személyek csak megfelelő felügyelet mellett vagy a készülék biztonságos használatával kapcsolatos alapvető utasítások és a járulékos veszélyek ismeretében használhatják. Gyermekek nem játszhatnak a készülékkel. Gyermekek nem végezhetik a készülék tisztítását és felhasználói karbantartását felügyelet nélkül.
- A csaptelep hőmérséklete működés közben 50 °C-nál is magasabb lehet. 43 °C-nál magasabb kiömlési hőmérséklet esetén fennáll a leforrázás veszélye.
- A készülék zuhanyozó (zuhany-üzemmód) ellátására nem alkalmas
- Összpólusú, legalább 3 mm érintkező távolságú megszakítóval kell biztosítani a leválasztás lehetőségét a hálózatról.
- A megadott feszültségnek meg kell egyeznie a hálózati feszültséggel.
- Az EIL 3 Plus típus kivételével a készüléket fixen kell bekötni.
- A hálózati tápkábelt – annak sérülése vagy cseréje esetén – csak a gyártó által jóváhagyott szakember cserélheti ki eredeti pótalkatrész felhasználásával.
- A készüléket a „Telepítés/Szerelés“ c. fejezetben leírtak szerint erősítse fel.
- Ügyeljen a megengedett maximális nyomásra (lásd a „Műszaki adatok / Adattáblázat“ c. fejezetet).

- A készülék telepítésekor a fajlagos vízellenállás nem lehet kisebb a vízellátó hálózatra megadott értéknél (lásd a „Műszaki adatok / Adattáblázat“ c. fejezetet).
- Ürítse le a készüléket, a „Telepítés / Karbantartás / A készülék leürítése“ c. fejezet szerint.

## KEZELÉS

### 1. Általános tudnivalók

A „Kezelés“ c. fejezet felhasználók és szakemberek számára készült.

A „Telepítés“ c. fejezet szakemberek számára szükséges információkat tartalmaz.



#### Tudnivaló

A használatot megelőzően gondosan olvassa el ezt az útmutatót és őrizze meg azt.

Ha továbbadja a készüléket, akkor az útmutatót is adja át a következő felhasználónak.

### 1.1 Biztonsági tudnivalók

#### 1.1.1 A biztonsági tudnivalók felépítése



#### JELZŐSZÓ A veszély jellege

Itt a biztonsági utasítások figyelmen kívül hagyásából adódó esetleges következmények találhatóak.




► Itt a veszély elhárításához szükséges intézkedések találhatóak.



# KEZELÉS

## Általános tudnivalók

### 1.1.2 Szimbólumok, a veszély jellege

Szimbólum	A veszély jellege
	Sérülés
	Áramütés
	Égési sérülés (Égési sérülés, forrázás)

### 1.1.3 Jelzőszavak

JELZŐSZÓ	Jelentése
VESZÉLY	Olyan tudnivalók, amelyek figyelmen kívül hagyása súlyos vagy halálos sérülést okoz.
FIGYELMEZTETÉS	Olyan tudnivalók, amelyek figyelmen kívül hagyása súlyos vagy halálos sérülést okozhat.
VIGYÁZAT	Olyan tudnivalók, amelyek figyelmen kívül hagyása közepesen súlyos vagy könnyű sérülést okozhat.



### 1.2 A dokumentumban használt egyéb jelölések



#### Tudnivaló

A tudnivalókat a szöveg alatt vagy fölött található vízszintes vonalak határolják. Az általános tudnivalókat a mellettük lévő szimbólumok jelölik.

► Gondosan olvassa át a szöveges tudnivalókat.

Szimbólum	Jelentése
	Anyagi kár (a készülék sérülése, következményként fellépő kár, környezeti kár)
	A készülék elszállítása hulladékként

► Ez a szimbólum jelzi Önnek, hogy valamit tennie kell. A szükséges műveleteket lépésről lépésre ismertetjük.

### 1.3 Mértékegységek



#### Tudnivaló

Egyéb előírás híján a méretek mm-ben értendők.

## 2. Biztonság

### 2.1 Rendeltetészerű használat

A készülék háztartási használatra készült. A készülék betanítás nélkül is biztonságosan használható. A készülék nem háztartási (pl. kisvállalkozói) környezetben is használható, amennyiben a felhasználás módja azonos.

A készülék ivóvíz felmelegítésére szolgál. A készüléket mosdó-  
kagylóhoz tervezték.

Az ettől eltérő vagy ezen túlmutató használat rendeltetésétől eltérőnek minősül. A rendeltetészerű használat egyúttal azt is feltételezi, hogy betartják a jelen útmutatóban valamint az alkalmazott tartozékok útmutatóiban foglaltakat is.

### 2.2 Általános biztonsági tudnivalók



#### Leforrzás VESZÉLYE

A csaptelep hőmérséklete működés közben 50 °C-nál is magasabb lehet. 43 °C-nál magasabb kiömlési hőmérséklet esetén fennáll a leforrázás veszélye.



#### FIGYELMEZTETÉS Sérülés

A készüléket 3 éves kort betöltött gyermekek, valamint testi, érzékszervi vagy szellemi fogyatékosokkal élők, nem hozzáértő és a terméket nem ismerő személyek csak megfelelő felügyelet mellett vagy a készülék biztonságos használatával kapcsolatos alapvető utasítások és a járulékos veszélyek ismeretében használhatják. Gyermekek nem játszhatnak a készülékkel. Gyermekek nem végezhetik a készülék tisztítását és felhasználói karbantartását felügyelet nélkül.



#### VESZÉLY Áramütés

Szakemberrel ki kell cseréltetni a sérült elektromos csatlakozóvezetékeket. Ezáltal kizárható az esetleges kockázat.



#### Anyagi kár

A készüléket és a csaptelepet védeni kell a fagytól.



#### Anyagi kár

Csak a készülékkel együtt leszállított speciális sugár-  
szabályzót használja. Akadályozza meg a kifolyócsövek  
vízkövesedését (lásd a „Tisztítás, ápolás és karbantartás”  
c. fejezetet).

# KEZELÉS

## Készülékleírás

### 2.3 Vizsgálati jelölés

Lásd a készülék típusábráját.

## 3. Készülékleírás

A hidraulikus működtetésű, átfolyó üzemű mini vízmelegítő a vizet közvetlenül a vételezési helynél melegíti fel. A csaptelep megnyitásakor automatikusan bekapcsolódik a fűtőteljesítmény. A rövid vezeték hosszának köszönhetően alacsony az energia- és vízveszteségek.

A HMV teljesítmény a hidegvíz hőmérsékletétől, a fűtőteljesítménytől és az átfolyó mennyiségtől függ.

A csupaszdrótos fűtésrendszer lágy és kemény víztípusokkal is használható. A fűtésrendszer egyáltalán nem érzékeny a vízke ménységre. A fűtésrendszer gyors és hatékony melegvíz-ellátást biztosít a mosdóakagylónál.

A készülékkel együtt leszállított speciális sugárszabályzó garantálja az optimális vízugarat.

## 4. Beállítások

A csaptelep melegvíz-szelepének megnyitásakor, illetve érzékelős csaptelep esetén az érzékelő aktiválásakor a készülék fűtésrendszere automatikusan bekapcsolódik. A víz felmelegszik. A víz hőmérséklet a csapteleppel állítható:

A bekapcsolási mennyiséggel kapcsolatosan lásd a „Műszaki adatok / Adattáblázat / Be“ c. fejezetet.

### A hőmérséklet növelése

- ▶ Fojtsa le a csaptelepen átfolyó mennyiséget.

### A hőmérséklet csökkentése

- ▶ Nyissa tovább a csaptelepet vagy keverjen hozzá több hideg vizet.

### Teendők a vízellátás szüneteltetését követően

Lásd az „Üzembe helyezés / Ismételt üzembe helyezés“ c. fejezetet.

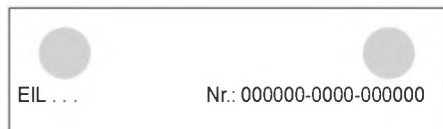
## 5. Tisztítás, ápolás és karbantartás

- ▶ Súroló hatású vagy oldószertartalmú tisztítószer használata tilos! A készülék ápolása és tisztítása nedves ruhával végezhető.
- ▶ Rendszeresen ellenőrizze a csaptelepeket. A csaptelepek kifolyócsövein lerakódott vízkő kereskedelmi forgalomban kapható vízkőoldóval eltávolítható.
- ▶ Rendszeresen ellenőriztesse a készülék elektromos biztonságát megfelelő szakemberrel.
- ▶ Rendszeresen végezze el a csaptelep speciális sugárszabályzójának vízkőmentesítését, illetve felújítását (lásd az „A készülék leírása / Tartozékok“ című fejezetet).

### 6. Hibaelhárítás

Probléma	Ok	Elhárítás
A készülék még akkor sem kapcsolódik be, ha teljesen meg van nyitva a melegvíz-csap.	A készülék nem kap feszültséget.	Ellenőrizze a biztosítékot az épület elektromos rendszerében.
	A csaptelep sugárszabályzója elvízkövesedett vagy elszennyeződött.	Tisztítsa meg és/vagy vízkőmentesítse a sugárszabályzót vagy cserélje ki a speciális sugárszabályzót.
	Megszűnt a vízellátás.	Légtelenítse a készüléket és a hidegvíz-bekötővezetékét (lásd a „Beállítások” c. fejezetet).

Ha az okot nem tudja elhárítani, akkor forduljon szakemberhez. A hathatósabb és gyorsabb segítség érdekében adja meg a típus-táblán feltüntetett gyári számot (000000-0000-000000).



## FELSZERELÉS

### 7. Biztonság

A készülék felszerelését, üzembe helyezését, illetve karbantartását és javítását csak szakember végezheti.

#### 7.1 Általános biztonsági tudnivalók

A kifogástalan működést és az üzembiztonságot csak abban az esetben garantáljuk, ha a készülékhez való eredeti tartozékokat és eredeti pótalkatrészeket használják.



#### Anyagi kár

Tartsa be a maximális megengedett beömlési hőmérsékletet. Magasabb hőmérséklet esetén a készülék károsodhat. Központi termosztátos csaptelep esetén a beömlési hőmérséklet korlátozható.

# FELSZERELÉS

## Készülékleírás

### 7.2 Előírások, szabványok és rendelkezések



#### Tudnivaló

Tartson be minden nemzeti és helyi előírást, illetve rendelkezést.

A víz fajlagos elektromos ellenállása nem lehet kisebb a típustáblán megadott értéknél. Összekapcsolt vízhálózat esetén figyelembe kell venni a legalacsonyabb elektromos vízellenállás értékre vonatkozó előírást (lásd a „Műszaki adatok / Adattábla“ c. fejezetet). A víz fajlagos elektromos ellenállásáról, illetve a víz vezetőképességéről a vízszolgáltatónál tájékozódhat.

## 8. Készülékleírás

### 8.1 A készlet tartalma

A készülékkel együtt leszállított tartozékok:

- Hidegvíz-bekötővezeték szűrő
- Speciális sugárszabályzó
- 3/8-os csatlakozótömlő, 500 mm hosszú, tömítéssel\*
- 3/8-os T-idom\*

\* nyomásálló készülékhez való csatlakoztatáshoz

### 8.2 Tartozékok

#### Speciális sugárszabályzó



#### Tudnivaló

A csaptelep beépített speciális sugárszabályzója optimális vízugarat biztosít.

#### Csaptelepek

- Használjon megfelelő csaptelepet!

#### Nyomásálló csaptelepek

A szakkereskedőtől beszerezhető a megfelelő nyomásálló csaptelepek.

#### Nyomásmentes csaptelepek

- MAW (OT) - nyomásmentes fali csaptelep
- MAZ (UT) - nyomásmentes kétfogantyús mosdó csaptelep
- MAE-W (UTE) - nyomásmentes egykaros mosdó csaptelep

### 9. Előkészületek

- ▶ Alaposan öblítse át a vízvezetékét.

#### Vízszelelés

Biztonsági szelepre nincs szükség.

### 10. Szerelés

#### 10.1 Felszerelési hely

A készüléket fagymentes helyiségben szerelje fel a vízvételi csaptelep közelében.

Ügyeljen arra, hogy a fedél oldalsó rögzítőcsavarjai hozzáférhetőek legyenek.

A készülék csak pult alá (felső vízcsatlakozókkal) lehet felszerelni.



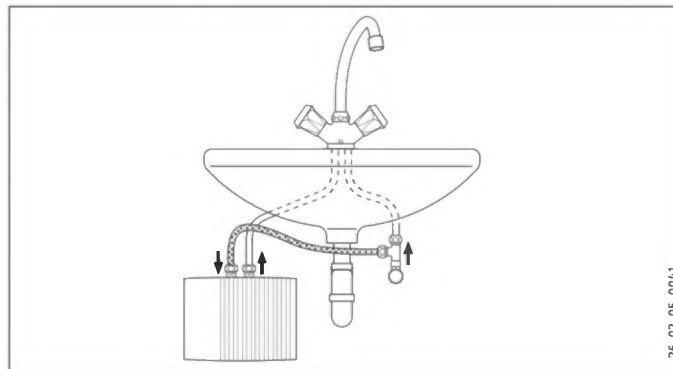
#### **VESZÉLY Áramütés**

Az IP 25 védettség csak a készülék hátfalának felszerelt állapotában érvényes.

- ▶ Mindig szerelje fel a készülék hátfalát.

#### 10.2 Felszerelési variációk

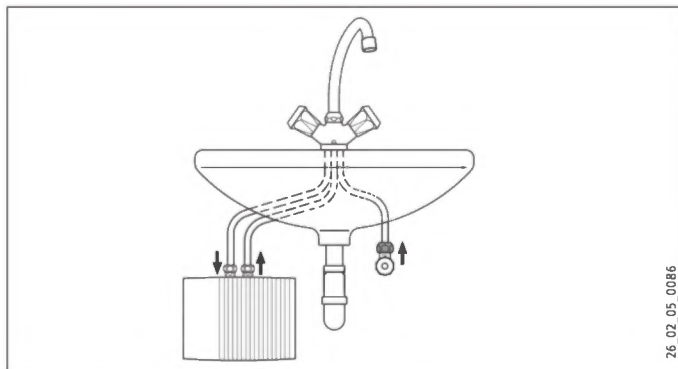
##### Pult alatti szerelés, nyomásálló nyomásálló csapteleppel



# FELSZERELÉS

## Szerelés

### Pult alatti, nyomásmentes szerelés, nyomásmentes csapteleppel



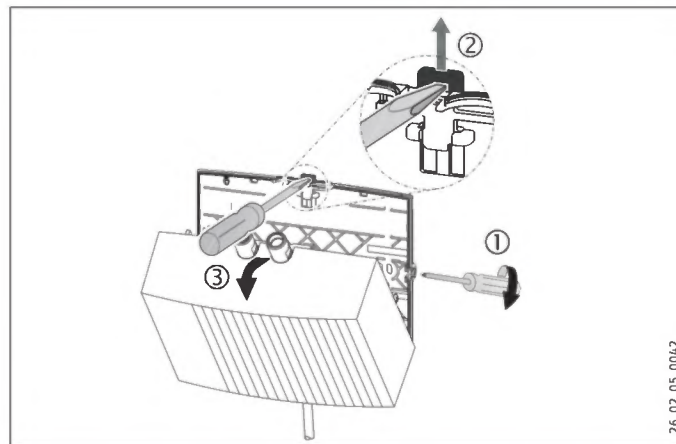
#### 10.2.1 A készülék felszerelése



#### Tudnivaló

A fal teherbírása elegendő kell, hogy legyen.

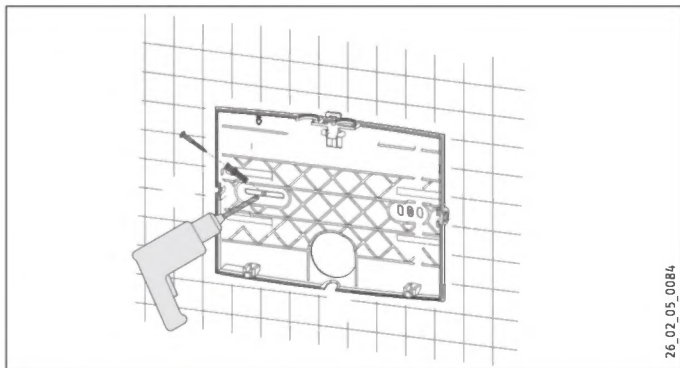
- ▶ Szerelje a készüléket a falra.



- ▶ Lazítsa meg a fedél rögzítőcsavarjait két fordulattal.
- ▶ Csavarhúzóval reteszelve ki a csapózárát.
- ▶ Előrefelé vegye le a készülék fedelét a fűtésrendszerrel.
- ▶ Fogóval törje ki az elektromos bekötővezeték átvezető nyílásait a készülék fedelén. A kitört nyílás egyenetlenségeit reszelővel korigálhatja.

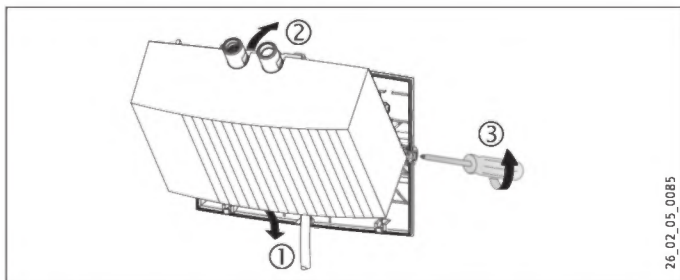
# FELSZERELÉS

## Szerelés



26\_02\_05\_0084

- ▶ Furósablontként használja a készülék hátfalát.
- ▶ Rögzítse a falhoz a készülék hátfalát megfelelő tiplik és csavarok segítségével.



26\_02\_05\_0085

- ▶ Vezesse be az elektromos bekötővezetékét a hátfali átvezető nyíláson.
- ▶ Alul akassza be a készülékfedelelet a fűtésrendszerrel.
- ▶ Pattintsa a fűtésrendszert a csapózárba.
- ▶ Rögzítse a készülékfedelelet a fedélrögzítő-csavarokkal.

### 10.2.2 A csapterlep felszerelése



#### Anyagi kár

Minden csatlakozó szereléskor a készüléknél 14-es kulcsnyílású kulccsal kell ellentartani.

#### Nyomásálló bekötés

- ▶ Szerelje fel a készülékkel együtt leszállított 3/8-os csatlakozó-tömlőt és a 3/8-os T-idomot.
- ▶ Szerelje fel a csapterlepet. Ennek során vegye figyelembe a csapterlep kezelési és telepítési útmutatójában megadott információkat.

#### Nyomásmentes bekötés

- ▶ Szerelje fel a csapterlepet. Ennek során vegye figyelembe a csapterlep kezelési és telepítési útmutatójában megadott információkat.



# FELSZERELÉS

## Üzembe helyezés

### 10.3 A elektromos csatlakozás kialakítása



**VESZÉLY Áramütés**  
Minden elektromos bekötési és szerelési munkát előírás-szerűen kell végezni.



**VESZÉLY Áramütés**  
Feltétlenül csatlakoztassa a készüléket a védővezeték-hez!  
Összpólusú, legalább 3 mm érintkezőtávolságú megszakítóval kell biztosítani a leválasztás lehetőségét a hálózatról.



**VESZÉLY Áramütés**  
A leszállított készülékek elektromos csatlakozóvezetékekkel vannak felszerelve (az EIL 3 Plus dugasszal). A készülék akkor csatlakoztatható fix bekötésű elektromos vezetékhez, ha annak keresztmetszete legalább akkora, mint a készülék szabványos csatlakozóvezetéké. Maximum  $3 \times 6 \text{ mm}^2$  keresztmetszetű vezeték használható.



**Anyagi kár**  
Védőérintkezős csatlakozóaljzathoz történő csatlakoztatásakor (dugasszal ellátott elektromos bekötővezeték esetén) ügyeljen arra, hogy a készülék felszerelését követően a védőérintkezős csatlakozóaljzat könnyen hozzáférhető legyen.



**Anyagi kár**  
Vegye figyelembe a típustáblán szereplő adatokat. A megadott feszültségnek meg kell egyeznie a hálózati feszültséggel.

- ▶ Az elektromos kapcsolási rajz alapján csatlakoztassa az elektromos bekötővezeteket (lásd a „Műszaki adatok / Elektromos kapcsolási rajz“ c. fejezetet).

## 11. Üzembe helyezés

### 11.1 Első üzembe helyezés



- ▶ Töltse fel a készüléket a csaptelep szelepeinek többszöri megnyitásával, eltávolítva az összes levegőt a vezetékhalózatból és a készülékből.
- ▶ Ellenőrizze a rendszer tömítettségét.
- ▶ Dugja be az elektromos bekötővezeték dugaszát (ha van) a védőérintkezős csatlakozóaljzatba vagy kapcsolja be az automata biztosítót.
- ▶ Ellenőrizze a készülék működését.

### 11.2 A készülék átadása

- ▶ Magyarozza el a felhasználónak a készülék működését és ismertesse meg vele annak használatát.
- ▶ Figyelmeztesse a felhasználót az esetleges veszélyekre, különösen a leforrázás veszélyére.
- ▶ Adja át ezt az útmutatót.

### 11.3 Újbóli üzembe helyezés



#### Anyagi kár

A vízellátás szüneteltetését követően a készüléket az alábbi lépésekkel kell újból üzembe helyezni, nehogy a csupaszdrótos fűtőrendszer megrongálódjon.

- ▶ Kapcsolja le a feszültséget a készülékről. Ehhez húzza ki az elektromos bekötővezeték duaszát (ha van) vagy kapcsolja ki az automata biztosítót.
- ▶ Lásd az „Első üzembe helyezés” c. fejezetet.

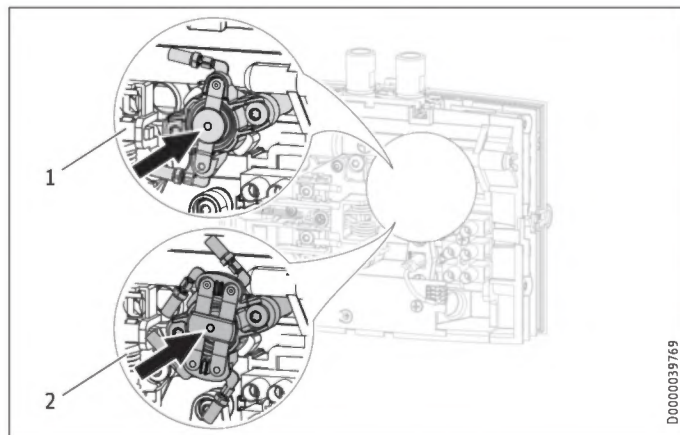
### 12. Üzemen kívül helyezés

- ▶ Válassza le a készüléket a hálózatról a ház automata biztosítójának kikapcsolásával vagy húzza ki az elektromos bekötővezeték dugaszát.
- ▶ Ürítse le a készüléket (lásd a „Karbantartás” fejezetet).

### 13. Üzemzavar-elhárítás

Probléma	Ok	Elhárítás
A készülék még akkor sem kapcsolódik be, ha teljesen meg van nyitva a melegvíz-csap.	A csaptelep sugárszabályzója elvízkövesedett vagy elszennyeződött.	Tisztítsa meg és/vagy vízkömentesítse a sugárszabályzót vagy cserélje ki a speciális sugárszabályzót.
	A hidegvíz-vezeték szűrője eltömődött.	Tisztítsa ki a szűrőt; ehhez zárja el a hidegvíz bekötővezetékét.
	A fűtőrendszer meghibásodott.	Mérje meg a fűtőrendszer ellenállását, és szükség esetén cserélje ki a készüléket.
	A biztonsági nyomáshatároló kioldott.	Szüntesse meg a hiba okát. Válassza le a készüléket az elektromos hálózatról és nyomásmentesítse a vízvezeték. Aktiválja a biztonsági nyomáshatárolót.

### A biztonsági nyomáshatároló aktiválása



- 1 1 pólusú biztonsági nyomáshatároló EIL 4 Plus / EIL 6 Plus
- 2 2 pólusú biztonsági nyomáshatároló EIL 3 Plus / EIL 7 Plus

## 14. Karbantartás



**VESZÉLY** Áramütés

Bármilyen munkavégzést megelőzően a készüléket ösz-szpólusúan le kell választani az elektromos hálózatról!

### 14.1 A készülék ürítése



**Leforrás** VESZÉLYE

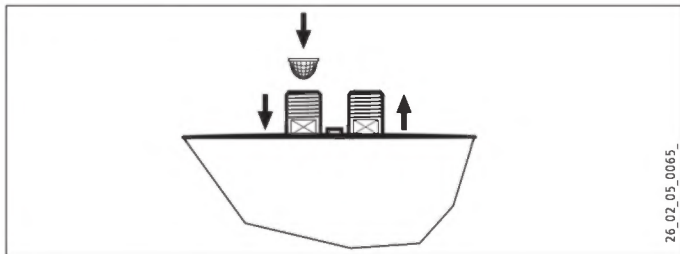
Ürítéskor a készülékből forró víz folyhat ki.

A következőképpen kell eljárni, amennyiben a készüléket karban-tartás vagy fagyvédelem céljából le kell üríteni:

- ▶ Zárja el a hidegvíz-bekötővezeték zárószelepét.
- ▶ Nyissa ki a vízvételi szelepet.
- ▶ Szerelje le a vízcsatlakozásokat a készülékről.

### 14.2 A szűrő tisztítása

A beépített szűrőt a hidegvíz-bekötővezeték kiszerezését követően lehet tisztítani.



### 14.3 A VDE 0701/0702 szerinti vizsgálatok

#### A védővezeték ellenőrzése

- ▶ Vizsgálja meg a védővezetékét (Németországban pl. DGUV A3) a készülék elektromos bekötővezetékének védővezeték-érintkezőjénél és a készülék csatlakozócsonkjánál.

#### Szigetelési ellenállás

- ▶ Ha egy 3,5 kW-nál nagyobb névleges fűtőteljesítményű készülék szigetelési ellenállása nem éri el a 300 k $\Omega$ -ot, akkor javasoljuk, hogy ellenőrizze a készülék szigetelési tulajdonságait; ehhez mérje meg a védővezetékben folyó áram, illetve a szivárgóáram különbségét a VDE 0701/0702 (C.3b. ábra) szabvány szerint.

### 14.4 A készülék tárolása

- ▶ A készüléket leszerelt állapotban is kizárólag fagymentes helyen tárolja, mivel a berendezésben található maradékvíz is károkat okozhat.

### 14.5 Az elektromos bekötővezeték cseréje az EIL 6 Plus esetén

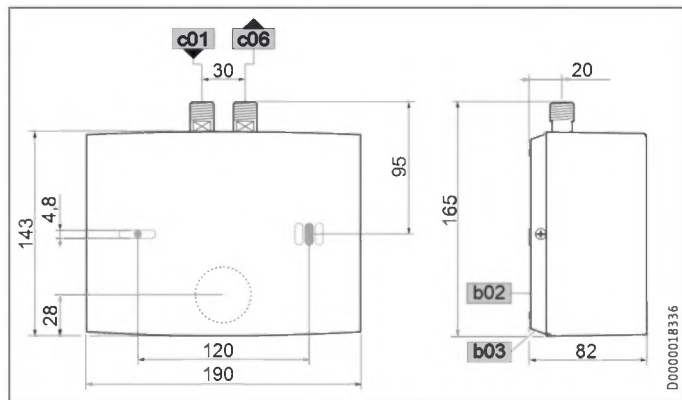
- ▶ Az EIL 6 Plus típusnál az elektromos bekötővezetékét 4 mm<sup>2</sup> keresztmetszetű elektromos bekötővezetékre kell cserélni.

# FELSZERELÉS

## Műszaki adatok

### 15. Műszaki adatok

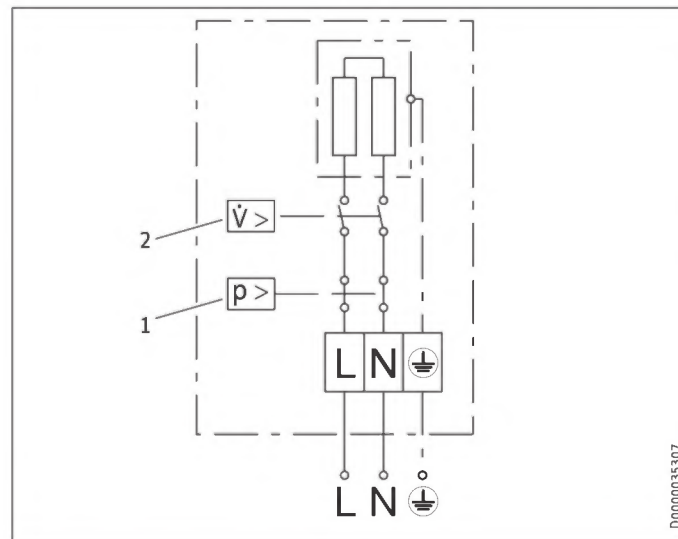
#### 15.1 Méretek



b02	Elektr. vezetékek átvezetése I		
b03	Elektr. vezetékek átvezetése II		
c01	Hidegvíz-bevezetés	Külső menet	G 3/8 A
c06	Melegvíz-kifolyás	Külső menet	G 3/8 A

### 15.2 Elektromos kapcsolási rajz

#### 15.2.1 EIL 3 Plus 1/N/PE ~ 200-240 V

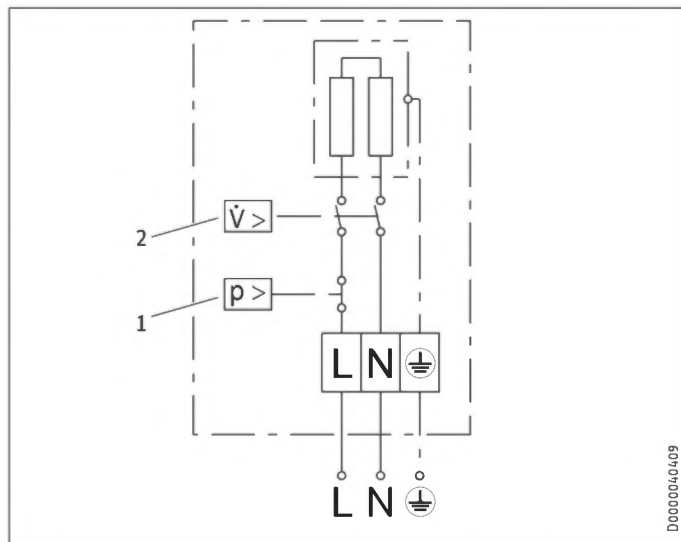


- 1 Biztonsági nyomáshatároló
- 2 Nyomáskülönbség-kapcsoló

# FELSZERELÉS

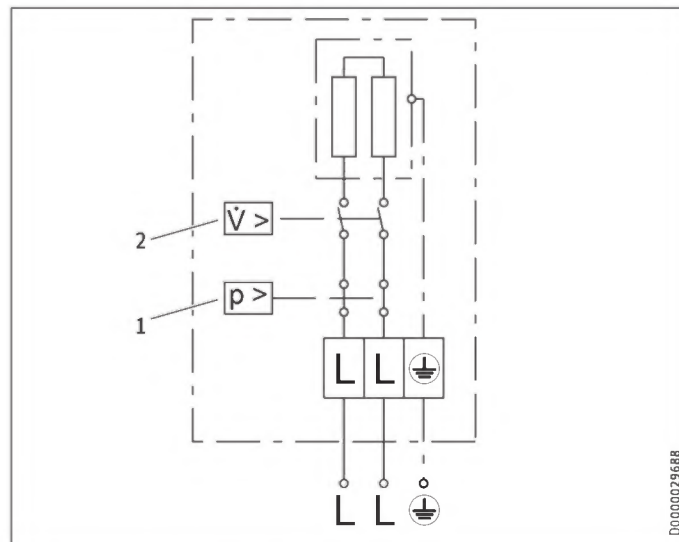
## Műszaki adatok

### 15.2.2 EIL 4 Plus és EIL 6 Plus 1/N/PE ~ 200-240 V



- 1 Biztonsági nyomáshatároló
- 2 Nyomáskülönbőség-kapcsoló

### 15.2.3 EIL 7 Plus 2/PE ~ 380-415 V



- 1 Biztonsági nyomáshatároló
- 2 Nyomáskülönbőség-kapcsoló



#### Anyagi kár

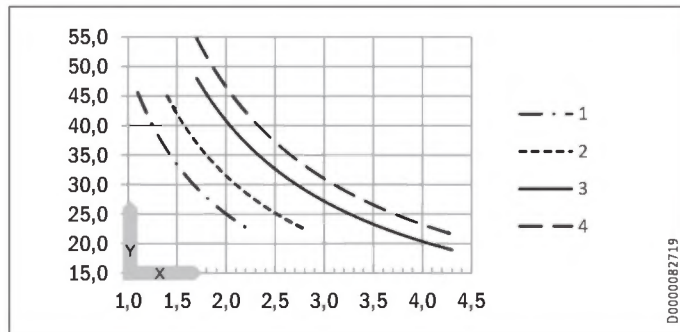
- Fix bekötés esetén a csatlakozóhévely kapcsoljelölése alapján csatlakoztassa az elektromos bekötővezetékét.

# FELSZERELÉS

## Műszaki adatok

### 15.3 Hőmérséklet-növelés

230 V-os / 400 V-os feszültség a víz következő hőmérséklet-növekedései adódnak:



- X Térfogatáram, l/perc  
 Y Hőmérséklet-növekedés, K
- 1 3,5 kW – 230 V
  - 2 4,4 kW – 230 V
  - 3 5,7 kW – 230 V
  - 4 6,5 kW – 400 V

Például az EIL 3 Plus típusnál, 3,5 kW teljesítmény esetén

Térfogatáram	l/perc	2,0
Hőmérséklet-növelés	K	25
Hideg víz beömlési hőmérséklet	°C	12
Maximális elérhető kiömlési hőmérséklet	°C	37

### 15.4 Alkalmazási területek

Fajlagos elektromos ellenállás és fajlagos elektromos vezetőképesség (lásd az „Adattáblázat” c. fejezetet).

Szabványos érték 15 °C-on			20 °C			25 °C		
Fajlagos ellenállás	Fajlagos vezetőképesség $\sigma \leq$	$\rho \geq$	Fajlagos ellenállás	Fajlagos vezetőképesség $\sigma \leq$	$\rho \geq$	Fajlagos ellenállás	Fajlagos vezetőképesség $\sigma \leq$	$\rho \geq$
$\Omega \text{ cm}$	mS/m	$\mu\text{S/cm}$	$\Omega \text{ cm}$	mS/m	$\mu\text{S/cm}$	$\Omega \text{ cm}$	mS/m	$\mu\text{S/cm}$
1100	91	909	970	103	1031	895	112	1117

# FELSZERELÉS

## Műszaki adatok

### 15.5 Energiafogyasztási adatok

Termék-adatlap: Hagyományos vízmelegítő a 812/2013/EU - 814/2013/EU rendelet előírásai szerint

		EIL 3 Plus	EIL 4 Plus	EIL 6 Plus	EIL 7 Plus
		200138	200139	200140	200141
Gyártó		STIEBEL ELTRON	STIEBEL ELTRON	STIEBEL ELTRON	STIEBEL ELTRON
Terhelési profil		XXS	XXS	XXS	XS
Energiahatékonysági osztály		A	A	A	A
Energetikai hatásfok	%	39	39	39	40
Éves villamosenergia-fogyasztás	kWh	478	478	478	467
Hangteljesítményszint	dB(A)	15	15	15	15
A hatékonyság mérésére vonatkozó különleges tudnivalók		nincs	nincs	nincs	nincs
Napi villamosenergia-fogyasztás	kWh	2,200	2,200	2,200	2,130



# FELSZERELÉS

## Műszaki adatok

### 15.6 Adattáblázat

		EIL 3 Plus				EIL 4 Plus				EIL 6 Plus				EIL 7 Plus		
		200138				200139				200140				200141		
Elektromos adatok																
Névleges feszültség	V	200	220	230	240	200	220	230	240	200	220	230	240	380	400	415
Névleges teljesítmény	kW	2,7	3,2	3,53	3,8	3,3	4,0	4,4	4,8	4,3	5,2	5,7	6,2	5,9	6,5	7,0
Névleges áram	A	13,3	14,5	15,2	15,8	16,7	18,2	19,1	20	21,6	23,6	24,7	25,8	15,5	16,3	16,9
Biztosíték	A	16				20				25	25	25	32	16	20	20
Frekvencia	Hz	50/60				50/60				50/60				50/60	50/60	50/-
Fázisok		1/N/PE				1/N/PE				1/N/PE				2/PE		
Fajlagos ellenállás $\rho_{15} \geq$	$\Omega$ cm	1100				1100				1100				1100		
Fajlagos vezetőképesség $\sigma_{15} \leq$	$\mu S/cm$	909				909				909				909		
Max. hálózati impedancia 50 Hz esetén	$\Omega$									0,394	0,377	0,361				
Csatlakozók																
Vízcsatlakozó		G 3/8 A				G 3/8 A				G 3/8 A				G 3/8 A		
Alkalmazási határértékek																
Megengedett max. nyomás	MPa	1				1				1				1		
Értékek																
Megengedett max. bömlési hőmérséklet	$^{\circ}C$	35				35				35				35		
Be	l/perc	> 1,6				> 2,0				> 2,6				> 2,6		
Nyomásesés adott térfogatáram esetén	MPa	0,05				0,06				0,08				0,08		
Térfogatáram adott nyomásesés esetén	l/perc	1,6				2,0				2,6				2,6		
Térfogatáram-határolási érték	l/perc	2,2				2,8				4,3				4,3		
Melegvíz-előállítási kapacitás	l/perc	2,0				2,5				3,2				3,7		
$\Delta\theta$ a fenti kapacitás esetén	K	25				25				25				25		

# FELSZERELÉS

## Műszaki adatok

		EIL 3 Plus	EIL 4 Plus	EIL 6 Plus	EIL 7 Plus
<b>Hidraulikai adatok</b>					
Névleges űrtartalom	l	0,1	0,1	0,1	0,1
<b>Kivitelí változatok</b>					
Pult alá szerelhető változat		X	X	X	X
Nyílt rendszerű		X	X	X	X
Zárt kivitel		X	X	X	X
Védettségi osztály		1	1	1	1
Szigetelőblokk		Műanyag	Műanyag	Műanyag	Műanyag
A fűtőrendszer fűtőberendezése		Csupaszdrót	Csupaszdrót	Csupaszdrót	Csupaszdrót
Fedél és hátlap		Műanyag	Műanyag	Műanyag	Műanyag
Szín		fehér	fehér	fehér	fehér
Védettség (IP)		IP25	IP25	IP25	IP25
<b>Méreték</b>					
Magasság	mm	143	143	143	143
Szélesség	mm	190	190	190	190
Mélység	mm	82	82	82	82
A csatlakozókábel hossza	mm	700	700	700	700
<b>Súlyadatok</b>					
Súly	kg	1,4	1,4	1,4	1,4



### Tudnivaló

A készülék megfelel az IEC 61000-3-12 előírásainak.

## Garancia

A Németországon kívül vásárolt készülékekre nem érvényesek cégünk németországi vállalatának garanciális feltételei. Az olyan országokban, amelyekben termékeinket egy leányvállalatunk terjeszti, a garanciát elsősorban a leányvállalatunk biztosítja. Garancia csak akkor nyújtható, ha az adott leányvállalat kiadta saját garanciális feltételeit. Azon felül semmilyen garanciát nem nyújtunk.

Az olyan készülékekre nem tudunk garanciát biztosítani, amelyek olyan országokban vásároltak meg, amelyekben nincs leányvállalatunk. Ezek a rendelkezések nem érintik az importőr által biztosított esetleges garanciát.

## Környezetvédelem és újrahasznosítás

▶ A készülékeket és az anyagokat a használatuk után a nemzeti előírásoknak megfelelően ártalmatlanítsa.



▶ Ha a készüléken egy áthúzott szemetesekuka szimbóluma látható, vigye a készüléket újrafelhasználás és újrahasznosítás céljából a kommunális gyűjtőhelyekre vagy a kiskereskedelmi visszavételi pontokra.



Ez a dokumentum újrahasznosítható papírból készült.

▶ A dokumentumot a készülék életciklusának végén a nemzeti előírásoknak megfelelően ártalmatlanítsa.

## POSEBNE NAPOMENE

### RUKOVANJE

<b>1. Opće napomene</b>	<b>158</b>
1.1 Sigurnosne napomene	158
1.2 Druge oznake u ovoj dokumentaciji	159
1.3 Mjerne jedinice	159
<b>2. Sigurnost</b>	<b>160</b>
2.1 Namjenska uporaba	160
2.2 Opće sigurnosne napomene	160
2.3 Ispitni znak	160
<b>3. Opis uređaja</b>	<b>161</b>
<b>4. Postavke</b>	<b>161</b>
<b>5. Čišćenje, njega i održavanje</b>	<b>161</b>
<b>6. Otklanjanje problema</b>	<b>162</b>

### INSTALACIJA

<b>7. Sigurnost</b>	<b>162</b>
7.1 Opće sigurnosne napomene	162
7.2 Propisi, norme i odredbe	163
<b>8. Opis uređaja</b>	<b>163</b>
8.1 Opseg isporuke	163
8.2 Pribor	163
<b>9. Pripreme</b>	<b>164</b>
<b>10. Montaža</b>	<b>164</b>
10.1 Mjesto montaže	164
10.2 Alternativna montaža	164

10.3 Uspostava električnog priključka	167
<b>11. Puštanje u rad</b>	<b>167</b>
11.1 Prvo puštanje u rad	167
11.2 Predaja uređaja	168
11.3 Ponovno puštanje u rad	168
<b>12. Stavljanje izvan pogona</b>	<b>168</b>
<b>13. Otklanjanje kvarova</b>	<b>168</b>
<b>14. Održavanje</b>	<b>169</b>
14.1 Pražnjenje uređaja	169
14.2 Čišćenje sita	170
14.3 Provjere prema VDE 0701/0702	170
14.4 Skladištenje uređaja	170
14.5 Zamjena električnog priključnog voda na uređaju EIL 6 Plus	170
<b>15. Tehnički podatci</b>	<b>171</b>
15.1 Mjere	171
15.2 Električna spojna shema	171
15.3 Povišenje temperature	173
15.4 Područja primjene	173
15.5 Podatci o potrošnji energije	174
15.6 Tablica s podatcima	175

### JAMSTVO

### OKOLIŠ I RECIKLIRANJE

## POSEBNE NAPOMENE

- Uređaj mogu upotrebljavati djeca starija od 3 godine te osobe smanjenih fizičkih, osjetljivih ili mentalnih sposobnosti ili osobe s nedovoljnim iskustvom i znanjem ako su pod nadzorom ili su upućene u sigurnu uporabu uređaja te shvaćaju opasnosti koje bi mogle nastati. Djeca se ne smiju igrati s ovim uređajem. Djeca ne smiju bez nadzora obavljati čišćenje i održavanje koje inače provodi korisnik.
- Tijekom rada slavina se može zagrijati na temperaturu višu od 50 °C. Kod temperatura izlaza vode većih od 43 °C postoji opasnost od oparina.
- Ovaj uređaj nije prikladan za opskrbu tuša (pogon tuša).
- Uređaj se mora moći odvojiti od mrežnog priključka preko rastavne dionice od najmanje 3 mm na svim polovima.
- Navedeni napon mora odgovarati mrežnom naponu.
- Uređaj mora biti trajno priključen na fiksno ožičenje, iznimka je uređaj EIL 3 Plus.
- U slučaju oštećenja ili zamjene kabel za mrežni priključak smije zamijeniti samo stručni serviser ovlašten od strane proizvođača i uz uporabu originalnog rezervnog dijela.
- Pričvrstite uređaj na način opisan u poglavlju „Instalacija/Montaža“.
- Pridržavajte se maksimalno dopuštenog tlaka (vidjeti poglavlje „Tehnički podatci/Tablica s podacima“).

- Ne smije se prekoračiti donja granica specifičnog otpora vode iz vodoopskrbne mreže (vidjeti poglavlje „Instalacija/Tehnički podatci/Tablica s podacima“).
- Ispraznite uređaj na način opisan u poglavlju „Instalacija/Održavanje/Pražnjenje uređaja“.

## RUKOVANJE

### 1. Opće napomene

Poglavlje „Rukovanje“ namijenjeno je korisniku uređaja i stručnom serviseru.

Poglavlje „Instalacija“ namijenjeno je stručnom serviseru.



#### Napomena

Prije uporabe uređaja pažljivo pročitajte ove upute i sačuvajte ih.

Upute po potrebi predajte sljedećem korisniku.

### 1.1 Sigurnosne napomene

#### 1.1.1 Struktura sigurnosnih napomena



#### SIGNALNA RIJEČ Vrsta opasnosti




Ovdje su navedene moguće posljedice u slučaju nepoštivanja sigurnosnih napomena.

► Ovdje su navedene mjere za suzbijanje opasnosti.

# RUKOVANJE

## Opće napomene

### 1.1.2 Simboli, vrsta opasnosti

Simbol	Vrsta opasnosti
	Ozljeda
	Strujni udar
	Opekline (opeklina, oparina)

### 1.1.3 Signalne riječi

SIGNALNA RIJEČ	Značenje
OPASNOST	Napomene čije nepoštivanje za posljedicu može imati teške ozljede ili smrt.
UPOZORENJE	Napomene čije nepoštivanje za posljedicu može imati teške ozljede ili smrt.
OPREZ	Napomene čije nepoštivanje može dovesti do srednje teških ili lakih ozljeda.

### 1.2 Druge oznake u ovoj dokumentaciji



#### Napomena

Napomene su omeđene vodoravnim crtama iznad i ispod teksta. Opće napomene označene su ovim simbolom.

► Pažljivo pročitajte tekst napomena.

#### Simbol

#### Značenje



Materijalna šteta  
(oštećenja uređaja, posljedična šteta, šteta po okoliš)



Zbrinjavanje uređaja

► Ovaj simbol ukazuje na ono što je potrebno napraviti. Potrebne radnje opisane su korak po korak.

### 1.3 Mjerne jedinice



#### Napomena

Ako nije drugačije navedeno, primijenjena mjerna jedinica je milimetar.

## 2. Sigurnost

### 2.1 Namjenska uporaba

Uređaj je predviđen za primjenu u kućanstvu. Neupućene osobe uređajem mogu sigurno rukovati. Izvan kućanstva, npr. u malom obrtu, uređaj se također može upotrebljavati na isti način.

Ovaj uređaj služi za zagrijavanje pitke vode. Ovaj je uređaj namijenjen za umivaonik.

Svaka druga uporaba ili uporaba koja prelazi te granice nije namjenska. Namjenska uporaba podrazumijeva i poštivanje ovih uputa te naputaka za korišteni pribor.

### 2.2 Opće sigurnosne napomene



#### OPASNOST od oparina

Tijekom rada slavina se može zagrijati na temperaturu višu od 50 °C. Kod temperatura izlaza vode većih od 43 °C postoji opasnost od oparina.



#### UPOZORENJE ozljeda

Uređaj mogu upotrebljavati djeca starija od 3 godine te osobe smanjenih fizičkih, osjetilnih ili mentalnih sposobnosti ili osobe s nedovoljnim iskustvom i znanjem ako su pod nadzorom ili su upućene u sigurnu uporabu uređaja te shvaćaju opasnosti koje bi mogle nastati. Djeca se ne smiju igrati s ovim uređajem. Djeca ne smiju bez nadzora obavljati čišćenje i održavanje koje inače provodi korisnik.



#### OPASNOST od strujnog udara

Oštećeni električni priključni vod mora zamijeniti stručni serviser. Na taj se način isključuju moguće opasnosti.



#### Materijalna šteta

Zaštitite uređaj i slavinu od smrzavanja.



#### Materijalna šteta

Koristite samo isporučeni specijalni mlazni regulator. Spriječite nastanak kamenca na izlazima slavina (vidjeti poglavlje „Rukovanje/Čišćenje, njega i održavanje“).

### 2.3 Ispitni znak

Pogledajte natpisnu pločicu na uređaju.



#### 3. Opis uređaja

Hidraulički upravljani mini protočni grijač zagrijava vodu izravno na ispusnom mjestu. Pri otvaranju slavine automatski se uključuje snaga grijanja. Zahvaljujući kratkim putanjama snage nastaju neznatni gubitci energije i vode.

Snaga tople vode ovisi o temperaturi hladne vode, snazi grijanja i količini protoka.

Sustav grijanja s neizoliranim žicama prikladan je za vodu s malo i puno kamenca. Taj je sustav grijanja poprilično neosjetljiv na nakupljanje kamenca. Taj se sustav grijanja brine za brzu i efikasnu pripremu tople vode na umivaoniku.

Ugradnjom priloženog specijalnog mlaznog regulatora dobivate optimalan mlaz vode.

#### 4. Postavke

Čim otvorite ventil za toplu vodu na slavini ili aktivirate osjetnik slavine s osjetnikom, automatski se uključuje sustav grijanja ovog uređaja. Voda se zagrijava. Temperaturu vode možete promijeniti na slavini:

Za količinu uključivanja vidjeti poglavlje „Tehnički podatci/Tablica s podacima/Uklj“.

#### Povisivanje temperature

- ▶ Prigušite količinu protoka na slavini.

#### Snižavanje temperature

- ▶ Nastavite otvarati slavinu ili umiješajte više hladne vode.

#### Nakon prekida vodoopskrbe

Vidjeti poglavlje „Puštanje u rad/Ponovno puštanje u rad“.

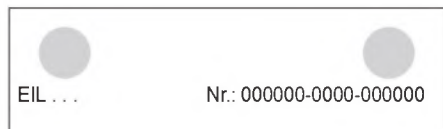
#### 5. Čišćenje, njega i održavanje

- ▶ Ne upotrebljavajte sredstva za čišćenje koja grebu ili otapaju. Za njegu i čišćenje uređaja dovoljna je vlažna krpa.
- ▶ Redovito kontrolirajte slavine. Kamenac na izlazu slavina možete ukloniti običnim sredstvima za uklanjanje kamenca.
- ▶ Neka električnu sigurnost na uređaju redovito provjerava stručni serviser.
- ▶ Redovito uklanjajte kamenac sa specijalnog mlaznog regulatora na slavini ili ga zamijenite (vidjeti poglavlje „Opis uređaja/Pribor“).

## 6. Otklanjanje problema

Problem	Uzrok	Rješenje
Uređaj se ne uključuje iako je do kraja otvoren ventil za toplu vodu.	Na uređaju nema napona.	Provjerite osigurač u kućnoj instalaciji.
	Na mlaznom regulatoru u slavini nakupili su se kamenac ili onečišćenja.	Očistite mlazni regulator i/ili uklonite kamenac iz njega ili zamijenite specijalni mlazni regulator.
	Došlo je do prekida vodoopskrbe.	Odzračite uređaj i dovodni vod hladne vode (vidjeti poglavlje „Postavke“).

Ako ne možete otkloniti uzrok, pozovite servisera. Radi bolje i brže pomoći priopćite mu broj natpisne pločice (000000-0000-00000).



## INSTALACIJA

### 7. Sigurnost

Instalaciju, puštanje u rad, održavanje i popravak uređaja smije provoditi samo stručni serviser.

#### 7.1 Opće sigurnosne napomene

Jamčimo besprijekoran rad i radnu sigurnost samo ako su upotrijebljeni originalni pribor namijenjen uređaju i originalni rezervni dijelovi.



#### Materijalna šteta

Pridržavajte se maks. dopuštene temperature dovoda vode. Kod viših temperatura može doći do oštećenja uređaja. Središnjom termostatskom slavinom možete ograničiti maksimalnu temperaturu dovoda vode.

# INSTALACIJA

## Opis uređaja

### 7.2 Propisi, norme i odredbe



#### Napomena

Obratite pozornost na sve nacionalne i regionalne propise i odredbe.

Specifični električni otpor vode ne smije biti niži od onog navedenog na natpisnoj pločici. Kod kombinirane vodoopskrbne mreže morate uvažiti najniži električni otpor vode (vidjeti poglavlje „Tehnički podatci/Tablica s podacima“). Specifični električni otpor vode ili električnu provodljivost vode možete saznati od svojeg vodoopskrbnog poduzeća.

## 8. Opis uređaja

### 8.1 Opseg isporuke

S uređajem se isporučuju:

- sito u dovodu hladne vode
- specijalni mlazni regulator
- priključno crijevo 3/8, duljine 500 mm, s brtvama\*
- T-komad 3/8\*

\* za priključak u vidu uređaja otpornog na tlak

### 8.2 Pribor

#### Specijalni mlazni regulator



#### Napomena

Ugradnjom specijalnog mlaznog regulatora u slavinu dobivate optimalan mlaz vode.

#### Slavine

- Upotrebljavajte prikladne slavine.

#### Tlačne slavine

Prikladne tlačne slavine dostupne su u specijaliziranim trgovinama.

#### Bestlačne slavine

- MAW (OT) - bestlačna zidna slavina
- MAZ (UT) - bestlačna dvoručna slavina za umivaonik
- MAE-W (UT) - bestlačna jednoručna slavina za umivaonik

### 9. Pripreme

- ▶ Dobro isperite vodovodnu cijev.

#### Vodoinstalacija

Nije potreban sigurnosni ventil.

### 10. Montaža

#### 10.1 Mjesto montaže

Uređaj montirajte u prostoriji zaštićenj od smrzavanja u blizini ispusne slavine.

Pazite da bočni pričvrtni vijci s poklopcem budu dostupni.

Ovaj je uređaj prikladan samo za montažu ispod umivaonika (priključci za vodu gore).



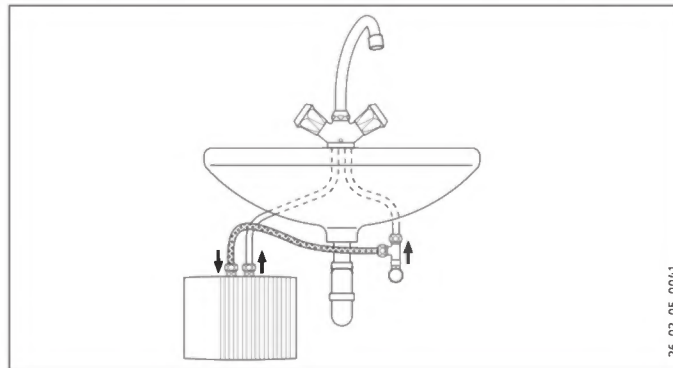
**OPASNOST od strujnog udara**

Vrsta zaštite IP25 zajamčena je samo kad je montirana stražnja oplata uređaja.

- ▶ Uvijek montirajte stražnju oplatu uređaja.

#### 10.2 Alternativna montaža

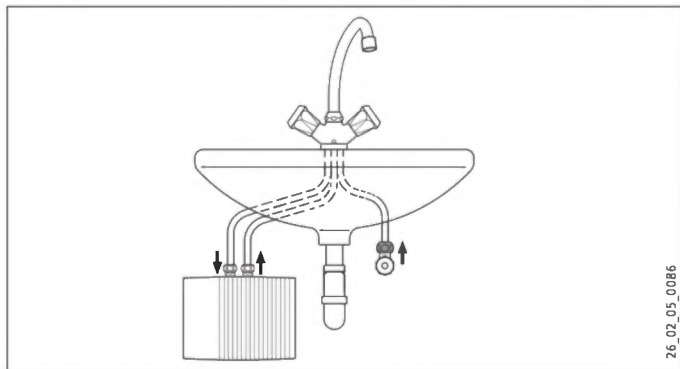
##### Montaža ispod umivaonika, tlačna, s tlačnom slavinom



# INSTALACIJA

## Montaža

### Montaža ispod umivaonika, bestlačna, s bestlačnom slavinom



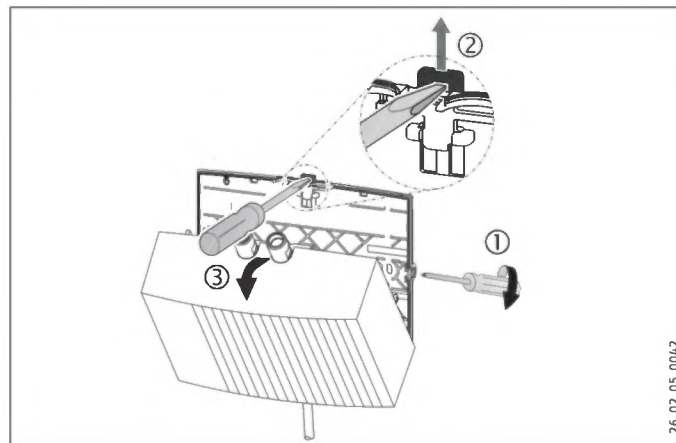
#### 10.2.1 Montaža uređaja



#### Napomena

Zid mora imati dovoljnu nosivost.

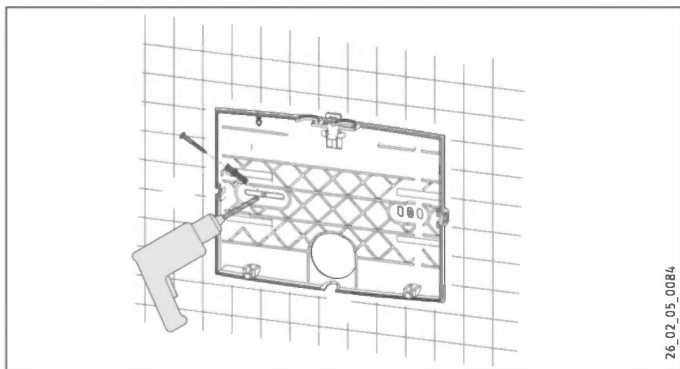
- ▶ Montirajte uređaj na zid.



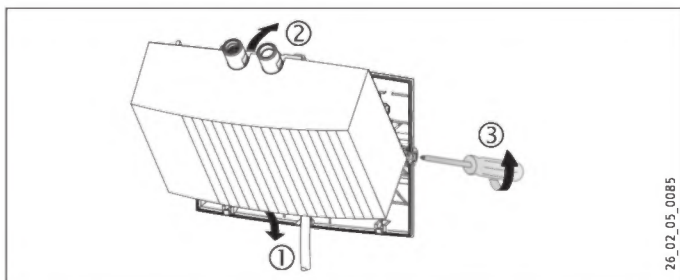
- ▶ Dvaput okrenite pričvrstne vijke s poklopcem kako biste ih otpustili.
- ▶ Odvijačem deblokirajte opružnu bravu.
- ▶ Prema naprijed skinite poklopac uređaja sa sustavom grijanja.
- ▶ Kliještima probijte provodni otvor za električni priključni vod u poklopcu uređaja. Po potrebi turpijom korigirajte konturu.

## INSTALACIJA

### Montaža



- ▶ Stražnju oplatu uređaja upotrijebite kao šablonu za bušenje.
- ▶ Stražnju oplatu uređaja pričvrstite na zid prikladnim pričvrsnicama i vijcima.



- ▶ Položite električni priključni vod u provodni otvor stražnje oplate.
- ▶ Dolje zakvačite poklopac uređaja sa sustavom grijanja.
- ▶ Uglavite sustav grijanja u opružnu bravu.
- ▶ Poklopac uređaja pričvrstite pričvrsnim vijcima s poklopcem.

#### 10.2.2 Montaža slavine



#### Materijalna šteta

Pri montaži svih priključaka morate podupirati uređaj ključem veličine 14.

#### Priključak otporan na tlak

- ▶ Montirajte isporučeno priključno crijevo 3/8 i T-komad 3/8.
- ▶ Montirajte slavinu. Pritom slijedite upute za rukovanje i instalaciju slavine.

#### Bestlačni priključak

- ▶ Montirajte slavinu. Pritom slijedite upute za rukovanje i instalaciju slavine.

### 10.3 Uspostava električnog priključka



**OPASNOST od strujnog udara**  
Propisno izvedite sve električne radove i radove priključivanja.



**OPASNOST od strujnog udara**  
Pazite na to da uređaj bude priključen na zaštitni vodič. Uređaj se mora moći odvojiti od mrežnog priključka preko rastavne dionice od najmanje 3 mm na svim polovima.



**OPASNOST od strujnog udara**  
U stanju pri isporuci uređaji su opremljeni električnim priključnim vodom (EIL 3 Plus s utikačem).  
Moguć je priključak na fiksno položeni električni vod ako on ima minimalni poprečni presjek standardnog priključnog voda uređaja. Maksimalno je moguć poprečni presjek voda od 3 x 6 mm<sup>2</sup>.



**Materijalna šteta**  
Pri priključivanju na utičnicu sa zaštitnim kontaktom (kod električnog priključnog voda s utikačem) pazite na to da utičnica sa zaštitnim kontaktom nakon instalacije uređaja bude slobodno dostupna.



#### **Materijalna šteta**

Obratite pozornost na natpisnu pločicu. Navedeni napon mora odgovarati mrežnom naponu.

- ▶ Priključite električni priključni vod u skladu s električnom spojnom shemom (vidjeti poglavlje „Tehnički podatci/Električna spojna shema“).

## 11. Puštanje u rad

### 11.1 Prvo puštanje u rad



- ▶ Napunite uređaj višekratnim crpljenjem na slavini sve dok mreža vodova i uređaj ne ostanu bez zraka.
- ▶ Provedite kontrolu nepropusnosti.
- ▶ Utikač električnog priključnog voda, ako postoji, utaknite u utičnicu sa zaštitnim kontaktom ili uključite osigurač.
- ▶ Provjerite funkciju uređaja.

### 11.2 Predaja uređaja

- ▶ Objasnite korisniku funkciju uređaja i upoznajte ga s uporabom uređaja.
- ▶ Upozorite korisnika na moguće opasnosti, posebno na opasnost od oparina.
- ▶ Predajte mu ove upute.

### 11.3 Ponovno puštanje u rad



#### Materijalna šteta

Nakon prekida vodoopskrbe uređaj morate ponovno puštiti u rad sljedeći sljedeće korake da ne bi došlo do oštećenja sustava grijanja s neizoliranim žicama.

- ▶ Odvojite uređaj od izvora napona. U tu svrhu izvucite utikač električnog priključnog voda, ako postoji, ili isključite osigurač.
- ▶ Vidjeti poglavlje „Prvo puštanje u rad“.

### 12. Stavljanje izvan pogona

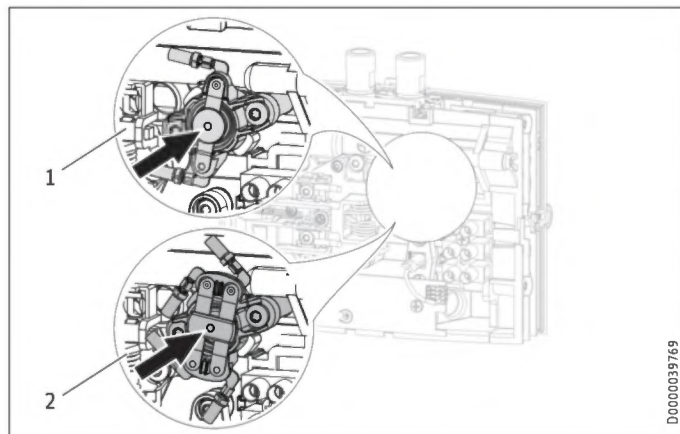
- ▶ Uz pomoć osigurača u kućnoj instalaciji odvojite uređaj od mrežnog napona ili izvucite utikač električnog priključnog voda.
- ▶ Ispraznite uređaj (vidjeti poglavlje „Održavanje“).

### 13. Otklanjanje kvarova

Problem	Uzrok	Rješenje
Uređaj se ne uključuje iako je do kraja otvoren ventil za toplu vodu.	Na mlaznom regulatoru u slavini nakupili su se kamenac ili onečišćenja.	Očistite mlazni regulator i/ili uklonite kamenac iz njega ili zamijenite specijalni mlazni regulator.
	Sito u vodu hladne vode je začepljeno.	Očistite sito nakon što zavrnete dovodni vod hladne vode.
	Došlo je do kvara sustava grijanja.	Izmjerite otpor sustava grijanja, eventualno zamijenite uređaj.
	Sigurnosni graničnik tlaka je iskočio.	Otklonite uzrok greške. Odvojite uređaj od izvora napona i rasteretite vodovodnu cijev. Aktivirajte sigurnosni graničnik tlaka.



### Aktivacija sigurnosnog graničnika tlaka



D0000039769

- 1 1-polni sigurnosni graničnik tlaka EIL 4 Plus/EIL 6 Plus
- 2 2-polni sigurnosni graničnik tlaka EIL 3 Plus/EIL 7 Plus

## 14. Održavanje



**OPASNOST** od strujnog udara  
Pri izvođenju svih radova odvojite uređaj na svim polovima od mrežnog priključka.

### 14.1 Pražnjenje uređaja



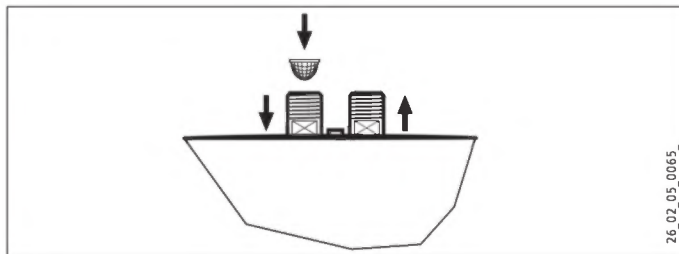
**OPASNOST** od oparina  
Pri pražnjenju može istjecati vruća voda.

Ako morate isprazniti uređaj radi radova održavanja ili u slučaju opasnosti od smrzavanja radi zaštite cjelokupne instalacije, postupite na sljedeći način:

- ▶ Zatvorite zaporni ventil u dovodnom vodu hladne vode.
- ▶ Otvorite ispusni ventil.
- ▶ Odvojite priključke za vodu od uređaja.

### 14.2 Čišćenje sita

Ugrađeno sito možete očistiti nakon demontaže priključnog voda hladne vode.



### 14.3 Provjere prema VDE 0701/0702

#### Provjera zaštitnog vodiča

- ▶ Provjerite zaštitni vodič (u Njemačkoj npr. DGUV A3) na kontaktu zaštitnog vodiča električnog priključnog voda i na priključnom nastavku uređaja.

#### Izolacijski otpor

- ▶ Ako neki uređaj s nazivnim ogrjevnim učinkom od  $> 3,5$  kW ne postigne izolacijski otpor od  $300$  k $\Omega$ , preporučujemo da izolacijska svojstva tog uređaja provjerite pomoću mjerenja struje razlike struja zaštitnog vodiča/struja odvoda prema VDE 0701/0702 (slika C.3b).

### 14.4 Skladištenje uređaja

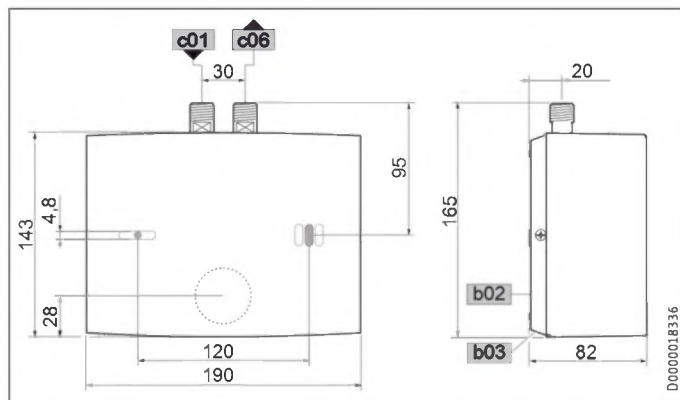
- ▶ Demontirani uređaj skladištite tako da je zaštićen od smrzavanja jer se u uređaju nalazi preostala voda koja bi se mogla zamrznuti i tako prouzročiti štetu.

### 14.5 Zamjena električnog priključnog voda na uređaju EIL 6 Plus

- ▶ Kod uređaja EIL 6 Plus u slučaju zamjene morate upotrijebiti električni priključni vod od  $4$  mm<sup>2</sup>.

### 15. Tehnički podatci

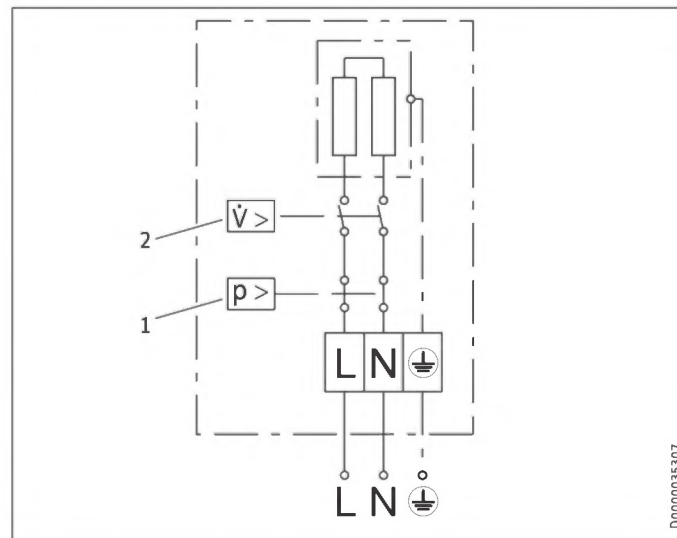
#### 15.1 Mjere



b02	Provodnica elektr. vodova I		
b03	Provodnica elektr. vodova II		
c01	Dovod hladne vode	Vanjski navoj	G 3/8 A
c06	Izlazni vod tople vode	Vanjski navoj	G 3/8 A

#### 15.2 Električna spojna shema

##### 15.2.1 EIL 3 Plus 1/N/PE ~ 200 V-240 V

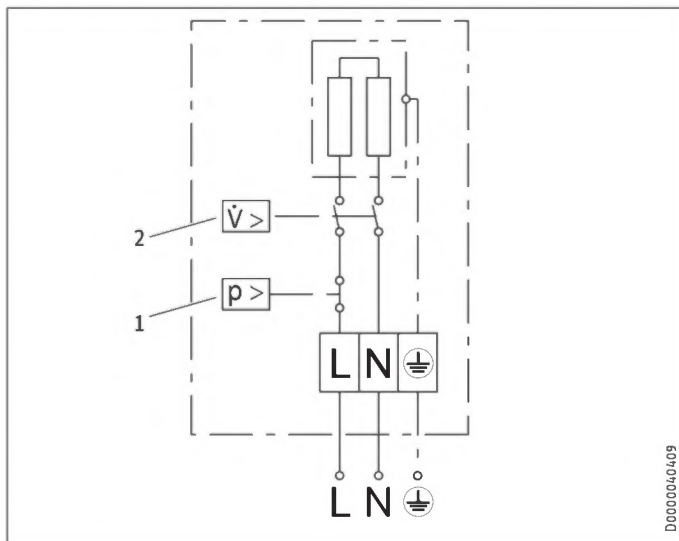


- 1 Sigurnosni graničnik tlaka
- 2 Prekidač za razliku tlaka

# INSTALACIJA

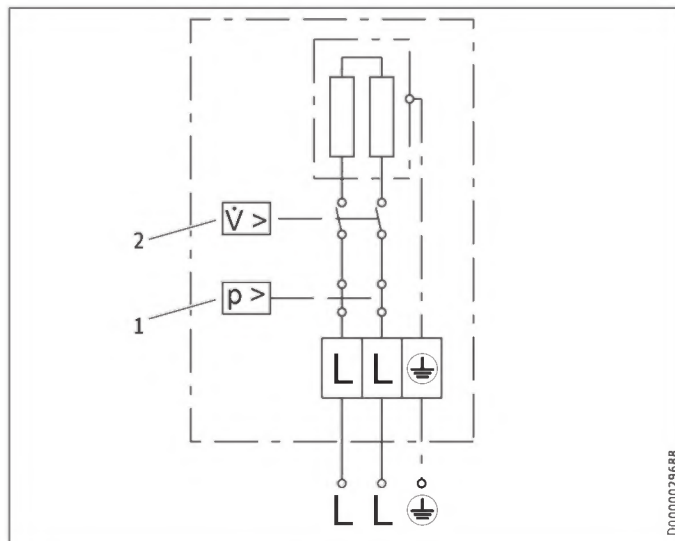
## Tehnički podatci

### 15.2.2 EIL 4 Plus i EIL 6 Plus 1/N/PE ~ 200 V-240 V



- 1 Sigurnosni graničnik tlaka
- 2 Prekidač za razliku tlaka

### 15.2.3 EIL 7 Plus 2/PE ~ 380 V-415 V



- 1 Sigurnosni graničnik tlaka
- 2 Prekidač za razliku tlaka



#### Materijalna šteta

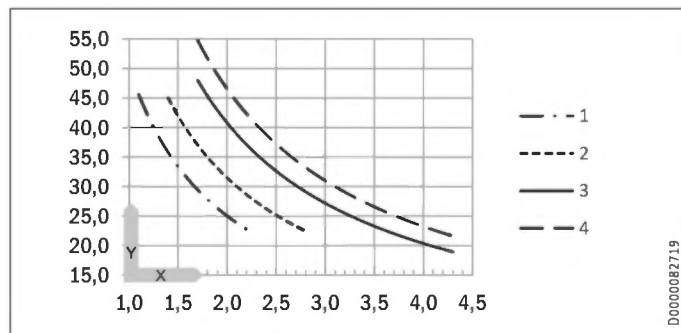
- ▶ Kod fiksnog priključka priključite električni priključni vod prema oznakama na stezaljki utičnice.

# INSTALACIJA

## Tehnički podatci

### 15.3 Povišenje temperature

Sljedeća povišenja temperature vode javljaju se pri naponu od 230 V / 400 V:



- X Volumni protok u l/min  
 Y Povišenje temperature u K
- 1 3,5 kW - 230 V
  - 2 4,4 kW - 230 V
  - 3 5,7 kW - 230 V
  - 4 6,5 kW - 400 V

#### Primjer EIL 3 Plus s 3,5 kW

Volumni protok	l/min	2,0
Povišenje temperature	K	25
Temperatura dovodnog voda hladne vode	°C	12
Maksimalna moguća temperatura izlaza vode	°C	37

### 15.4 Područja primjene

Za specifični električni otpor i specifičnu električnu provodljivost vidjeti „Tablica s podatcima“.

Normirani podatak na 15 °C			20 °C			25 °C		
Specifični otpor $\rho \geq$	Specifična provodljivost $\sigma \leq$		Specifični otpor $\rho \geq$	Specifična provodljivost $\sigma \leq$		Specifični otpor $\rho \geq$	Specifična provodljivost $\sigma \leq$	
$\Omega \text{ cm}$	mS/m	$\mu\text{S/cm}$	$\Omega \text{ cm}$	mS/m	$\mu\text{S/cm}$	$\Omega \text{ cm}$	mS/m	$\mu\text{S/cm}$
1100	91	909	970	103	1031	895	112	1117

### 15.5 Podatci o potrošnji energije

List s informacijama o proizvodu: Konvencionalni uređaji za pripremu tople vode prema Uredbi (EU) br. 812/2013 | 814/2013

		EIL 3 Plus	EIL 4 Plus	EIL 6 Plus	EIL 7 Plus
		200138	200139	200140	200141
Proizvođač		STIEBEL ELTRON	STIEBEL ELTRON	STIEBEL ELTRON	STIEBEL ELTRON
Profil opterećenja		XXS	XXS	XXS	XS
Razred energetske učinkovitosti		A	A	A	A
Energetski stupanj djelovanja	%	39	38	39	40
Godišnja potrošnja električne energije	kWh	478	478	478	466
Razina zvučne snage	dB(A)	15	15	15	15
Posebne napomene za mjerenje učinkovitosti		nema	nema	nema	nema
Dnevna potrošnja električne energije	kWh	2,200	2,200	2,200	2,130

# INSTALACIJA

## Tehnički podatci

### 15.6 Tablica s podatcima

		EIL 3 Plus				EIL 4 Plus				EIL 6 Plus				EIL 7 Plus		
		200138				200139				200140				200141		
<b>Električni podatci</b>																
Nazivni napon	V	200	220	230	240	200	220	230	240	200	220	230	240	380	400	415
Nazivna snaga	kW	2,7	3,2	3,53	3,8	3,3	4,0	4,4	4,8	4,3	5,2	5,7	6,2	5,9	6,5	7,0
Nazivna struja	A	13,3	14,5	15,2	15,8	16,7	18,2	19,1	20	21,6	23,6	24,7	25,8	15,5	16,3	16,9
Osiguranje	A	16				20				25	25	25	32	16	20	20
Frekvencija	Hz	50/60				50/60				50/60				50/60	50/60	50/-
Faze		1/N/PE				1/N/PE				1/N/PE				2/PE		
Specifični otpor $\rho_{15} \geq$	$\Omega$ cm	1100				1100				1100				1100		
Specifična provodljivost $\sigma_{15} \leq$	$\mu S/cm$	909				909				909				909		
Maks. impedancija mreže pri 50 Hz	$\Omega$									0,394	0,377	0,361				
<b>Priključci</b>																
Priključak vode		G 3/8 A				G 3/8 A				G 3/8 A				G 3/8 A		
<b>Granice primjene</b>																
Maks. dopušteni tlak	MPa	1				1				1				1		
<b>Vrijednosti</b>																
Maks. dopuštena temperatura do- voda vode	$^{\circ}C$	35				35				35				35		
Uklj	l/min	>1,6				> 2,0				> 2,6				> 2,6		
Pad tlaka pri volumnom protoku	MPa	0,05				0,06				0,08				0,08		
Volumni protok za pad tlaka	l/min	1,6				2,0				2,6				2,6		
Ograničenje volumnog protoka pri	l/min	2,2				2,8				4,3				4,3		
Kapacitet tople vode	l/min	2,0				2,5				3,2				3,7		
$\Delta\theta$ kod prikaza	K	25				25				25				25		
<b>Hidraulični podatci</b>																
Nazivni sadržaj	l	0,1				0,1				0,1				0,1		

# INSTALACIJA

## Tehnički podatci

		EIL 3 Plus	EIL 4 Plus	EIL 6 Plus	EIL 7 Plus
Izvedbe					
Vrsta montaže ispod umivaonika		X	X	X	X
Izvedba otvorena		X	X	X	X
Zatvorena konstrukcija		X	X	X	X
Razred zaštite		1	1	1	1
Izolacijski blok		plastika	plastika	plastika	plastika
Proizvođač topline sustava grijanja		neizolirana žica	neizolirana žica	neizolirana žica	neizolirana žica
Poklopac i stražnja oplata		plastika	plastika	plastika	plastika
Boja		bijela	bijela	bijela	bijela
Vrsta zaštite (IP)		IP 25	IP 25	IP 25	IP 25
<b>Dimenzije</b>					
Visina	mm	143	143	143	143
Širina	mm	190	190	190	190
Dubina	mm	82	82	82	82
Duljina priključnog kabela	mm	700	700	700	700
<b>Težine</b>					
Težina	kg	1,4	1,4	1,4	1,4



### Napomena

Uređaj je usklađen s IEC 61000-3-12.



## Jamstvo

Za uređaje koji su kupljeni izvan Njemačke ne vrijede jamstveni uvjeti naših njemačkih tvrtki. Osim toga, u zemljama u kojima neka od naših podružnica prodaje naše proizvode može se dobiti jamstvo od te naše podružnice. Takvo jamstvo daje se samo u slučaju ako je ta podružnica izdala vlastite jamstvene uvjete. Inače se ne daje jamstvo.

Za uređaje koji su kupljeni u zemljama u kojima nijedna od naših podružnica ne prodaje naše proizvode mi ne dajemo jamstvo.

Sva jamstva koje daju uvoznici nisu obuhvaćeni ovim pravilom.

## Okoliš i recikliranje

- ▶ Nakon uporabe zbrinite uređaje i materijale u skladu s državnim propisima.



- ▶ Ako je na uređaju prikazan simbol prekrížene kante za otpad, predajte uređaj lokalnom mjestu za prikupljanje otpada za ponovnu uporabu i reciklažu ili ga predajte odjelu za povrat starih uređaja u trgovini.



Ovaj se dokument sastoji od papira koji se može reciklirati.

PAP

- ▶ Zbrinite ovaj dokument nakon životnog ciklusa uređaja u skladu s nacionalnim propisima.

## СПЕЦИАЛЬНЫЕ УКАЗАНИЯ

### ЭКСПЛУАТАЦИЯ

1.	Общие указания	181
1.1	Указания по технике безопасности	181
1.2	Другие обозначения в данной документации	182
1.3	Единицы измерения	182
2.	Техника безопасности	182
2.1	Использование по назначению	182
2.2	Общие указания по технике безопасности	182
2.3	Знак технического контроля	183
3.	Описание устройства	184
4.	Настройки	184
5.	Чистка, уход и техническое обслуживание	184
6.	Поиск и устранение проблем	185

### УСТАНОВКА

7.	Техника безопасности	185
7.1	Общие указания по технике безопасности	185
7.2	Предписания, стандарты и положения	186
8.	Описание устройства	186
8.1	Комплект поставки	186
8.2	Принадлежности	186
9.	Подготовительные мероприятия	187
10.	Монтаж	187
10.1	Место монтажа	187
10.2	Варианты монтажа	187

10.3	Подключение к сети электропитания	190
11.	Ввод в эксплуатацию	191
11.1	Первый ввод в эксплуатацию	191
11.2	Передача устройства	191
11.3	Повторный ввод в эксплуатацию	191
12.	Вывод из эксплуатации	191
13.	Поиск и устранение неисправностей	192
14.	Техническое обслуживание	193
14.1	Опорожнение прибора	193
14.2	Чистка сетчатого фильтра	193
14.3	Проверки согласно VDE 0701/0702	194
14.4	Хранение прибора	194
14.5	Замена электрического соединительного провода EIL 6 Plus	194
15.	Технические характеристики	194
15.1	Размеры	194
15.2	Электрическая схема	195
15.3	Повышение температуры	196
15.4	Рабочие диапазоны	197
15.5	Характеристики энергопотребления	197
15.6	Таблица параметров	198

### ГАРАНТИЯ

### ЗАЩИТА ОКРУЖАЮЩЕЙ СРЕДЫ И УТИЛИЗАЦИЯ

## СПЕЦИАЛЬНЫЕ УКАЗАНИЯ

- Детям старше 3 лет, а также лицам с ограниченными физическими, сенсорными и умственными способностями, не имеющим опыта и не владеющим информацией о приборе, разрешено использовать прибор только под присмотром других лиц или после соответствующего инструктажа о правилах безопасного пользования и потенциальной опасности в случае несоблюдения этих правил. Не допускать шалостей детей с прибором. Дети могут выполнять чистку прибора и те виды технического обслуживания, которые обычно производятся пользователем, только под присмотром взрослых.
- Во время работы смеситель может нагреваться до температуры более 50 °С. При температуре воды на выходе выше 43 °С существует опасность обваривания.
- Прибор не предназначен для подачи воды в душ (режим душа).
- Прибор должен отключаться от сети с размыканием всех контактов на всех полюсах и изолированием на расстоянии не менее 3 мм.
- Напряжение сети должно совпадать с указанным на табличке.
- Прибор должен быть подключен к стационарной электрической разводке, за исключением варианта EIL 3 Plus.

- При повреждении кабеля питания или необходимости его замены выполнять эти работы должен только специалист, уполномоченный производителем, и только с использованием оригинального кабеля.
- Закрепить прибор, как описано в главе «Установка / Монтаж».
- Убедиться, что давление соответствует максимально допустимому (см. главу «Технические характеристики / Таблица параметров»).
- Удельное электрическое сопротивление воды не должно быть ниже указанного на заводской табличке (см. главу «Установка / Технические характеристики / Таблица параметров»).
- При опорожнении прибора следовать указаниям главы «Установка / Техническое обслуживание / Опорожнение прибора».

# ЭКСПЛУАТАЦИЯ

## 1. Общие указания

Глава «Эксплуатация» предназначена для пользователя и специалиста.

Глава «Установка» предназначена для специалиста.



### Указание

Перед началом эксплуатации следует внимательно прочитать данное руководство и сохранить его. При необходимости передать настоящее руководство следующему пользователю.

## 1.1 Указания по технике безопасности

### 1.1.1 Структура указаний по технике безопасности



#### СИГНАЛЬНОЕ СЛОВО Вид опасности

Здесь приведены возможные последствия несоблюдения указания по технике безопасности.

► Здесь приведены мероприятия по предотвращению опасности.

### 1.1.2 Символы, вид опасности

Символ	Вид опасности
	Травма
	Поражение электрическим током
	Ожог (ожог, обваривание)

### 1.1.3 Сигнальные слова

СИГНАЛЬНОЕ СЛОВО	Значение
ОПАСНОСТЬ	Указания, несоблюдение которых приводит к серьезным травмам или к смертельному исходу.
ПРЕДУПРЕЖДЕНИЕ	Указания, несоблюдение которых может привести к серьезным травмам или к смертельному исходу.
ОСТОРОЖНО	Указания, несоблюдение которых может привести к травмам средней тяжести или к легким травмам.

### 1.2 Другие обозначения в данной документации



#### Указание

Указания ограничиваются горизонтальными линиями над текстом и под ним. Общие указания обозначены приведенным рядом с ними символом.

► Внимательно прочитайте тексты указаний.

Символ	Значение
	Материальный ущерб (повреждение прибора, косвенный ущерб и ущерб окружающей среде)
	Утилизация устройства

► Этот символ указывает на необходимость выполнения определенных действий. Описание необходимых действий приведено шаг за шагом.

### 1.3 Единицы измерения



#### Указание

При отсутствии иных указаний все размеры приведены в миллиметрах.

## 2. Техника безопасности

### 2.1 Использование по назначению

Прибор предназначен для бытового использования. Для его безопасного обслуживания пользователю не требуется проходить инструктаж. Возможно использование прибора не только в быту, но и, например, на предприятиях малого бизнеса при условии соблюдения тех же условий эксплуатации.

Прибор предназначен для нагрева водопроводной воды. Прибор предназначен для умывальника.

Любое иное или не указанное в настоящем руководстве использование данного устройства считается использованием не по назначению. Использование по назначению подразумевает соблюдение требований настоящего руководства, а также руководств к используемым принадлежностям.

### 2.2 Общие указания по технике безопасности



#### ОПАСНОСТЬ обваривание

Во время работы смеситель может нагреваться до температуры более 50 °С. При температуре воды на выходе выше 43 °С существует опасность обваривания.



### **ПРЕДУПРЕЖДЕНИЕ** травма

Детям старше 3 лет, а также лицам с ограниченными физическими, сенсорными и умственными способностями, не имеющим опыта и не владеющим информацией о приборе, разрешено использовать прибор только под присмотром других лиц или после соответствующего инструктажа о правилах безопасного пользования и потенциальной опасности в случае несоблюдения этих правил. Не допускать шалостей детей с прибором. Дети могут выполнять чистку прибора и те виды технического обслуживания, которые обычно производятся пользователем, только под присмотром взрослых.



### **ОПАСНОСТЬ** поражение электрическим током

Замену поврежденного кабеля электропитания разрешается производить только специалисту. Это позволит исключить потенциальную опасность.



### **Материальный ущерб**

Прибор и смеситель необходимо защитить от мороза.



### **Материальный ущерб**

Использовать только входящий в комплект поставки регулятор струи. Не допускать образования отложений накипи в изливах арматуры (см. главу «Очистка, уход и техническое обслуживание»).

## 2.3 Знак технического контроля

См. заводскую табличку на приборе.



### Евразийское соответствие

Данный прибор соответствует требованиям безопасности технических регламентов Евразийского Экономического Союза ТР ТС 004/2011, ТР ТС 020/2011 и прошел соответствующие процедуры подтверждения соответствия.

EIL 3 Plus:

Сертификат соответствия № ЕАЭС RU C-DE.АЯ46.В.06126/19, срок действия с 22.07.2019 г. по 21.07.2024 г.

EIL 4 Plus / EIL 6 Plus:

Сертификат соответствия № ЕАЭС RU C-DE.АЯ46.В.18484/21, срок действия с 12.03.2021 г. по 11.03.2026 г.

EIL 7 Plus:

Сертификат соответствия № ЕАЭС RU C-DE.АЯ46.В.06127/19, срок действия с 22.07.2019 г. по 21.07.2024 г.

Орган по сертификации «РОСТЕСТ-Москва» АО «Региональный орган по сертификации и тестированию».

### 3. Описание устройства

Компактный проточный нагреватель с гидравлическим управлением нагревает воду непосредственно около точки отбора. Нагрев автоматически включается при открытии смесителя. Малая длина трубопровода до точки отбора обеспечивает низкий уровень потерь энергии и воды.

Производительность подготовки горячей воды зависит от температуры холодной воды, мощности нагрева и расхода.

Нагревательная система с нагревательным элементом открытого типа пригодна как для мягкой, так и для жесткой воды. Такая система менее восприимчива к образованию накипи. Она быстро и эффективно обеспечивает умягальник горячей водой.

Оптимальную струю воды можно получить, установив прилагаемый специальный регулятор струи.

### 4. Настройки

Как только будет открыт кран горячей воды на арматуре или сработает датчик арматуры, в приборе автоматически включится система нагрева. Начнется нагрев воды. Изменять температуру воды можно с помощью смесителя.

Расход, необходимый для включения, указан в главе «Технические характеристики / Таблица параметров / Включение».

#### Повысить температуру

- ▶ Снизить расход воды, прикрыв кран смесителя.

#### Снизить температуру

- ▶ Приоткрыть кран или добавить холодную воду.

#### После отключения подачи воды

См. главу «Ввод в эксплуатацию / Повторный ввод в эксплуатацию».

### 5. Чистка, уход и техническое обслуживание

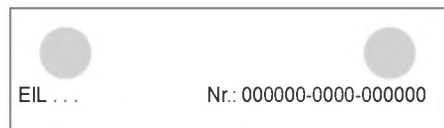
- ▶ Не использовать абразивные или едкие чистящие средства. Для ухода за прибором и очистки корпуса достаточно влажной тканевой салфетки.
- ▶ Необходимо регулярно проверять смесители. Известковые отложения на изливе смесителя можно удалить с помощью имеющихся в продаже средств для удаления накипи.
- ▶ Безопасность электрической части должен регулярно проверять специалист.
- ▶ Необходимо регулярно удалять накипь или производить замену специального регулятора струи на арматуре (см. главу «Описание прибора / Принадлежности»).



## 6. Поиск и устранение проблем

Проблема	Причина	Способ устранения
Прибор не включается, несмотря на полностью открытый кран горячей воды.	На приборе отсутствует напряжение.	Проверить предохранители электрической сети в здании.
	Регулятор струи в смесителе заизвесткован или загрязнен.	Очистить регулятор струи и / или удалить из него накипь либо заменить специальный регулятор струи.
	Водоснабжение отключено.	Удалить воздух из прибора и трубопровода подачи холодной воды (см. главу «Настройки»).

Если невозможно устранить эту неисправность самостоятельно, нужно пригласить специалиста. Чтобы специалист смог оперативно помочь, необходимо сообщить ему номер прибора с заводской таблички (000000-0000-00000).



## УСТАНОВКА

### 7. Техника безопасности

Установка, ввод в эксплуатацию, а также техническое обслуживание и ремонт прибора должны производиться только квалифицированным специалистом.

#### 7.1 Общие указания по технике безопасности

Безупречная работа и эксплуатационная безопасность прибора гарантируются только при использовании соответствующих оригинальных принадлежностей и оригинальных запчастей.



#### Материальный ущерб

Необходимо соблюдать максимально допустимую температуру поступающей холодной воды. При более высоких температурах подачи возможно повреждение прибора. Температуру подаваемой воды можно ограничить, установив центральный термостатический смеситель.

#### 7.2 Предписания, стандарты и положения



##### Указание

Необходимо соблюдать все национальные и региональные предписания и положения.

Удельное электрическое сопротивление воды не должно быть ниже указанного на заводской табличке! Если речь идет об объединенной системе водоснабжения, необходимо учитывать наименьшее электрическое сопротивление воды (см. главу «Технические характеристики / Таблица параметров»). Выяснить удельное электрическое сопротивление или электропроводность воды на предприятии водоснабжения.

## 8. Описание устройства

### 8.1 Комплект поставки

В комплект поставки прибора входят:

- сетчатый фильтр для линии подачи холодной воды,
- специальный регулятор струи
- соединительный шланг 3/8 длиной 500 мм, с уплотнениями,\*
- тройник 3/8,\*

\* Для подключения в качестве напорного прибора

### 8.2 Принадлежности

#### Специальный регулятор струи



##### Указание

Оптимальную струю воды можно получить, установив прилагаемый специальный регулятор струи.

#### Смесители

- Использовать подходящий смеситель.

#### Напорная арматура

Подходящий напорный смеситель можно приобрести в специализированных магазинах.

#### Безнапорные смесители

- MAW (OT) – безнапорный настенный смеситель
- MAZ (UT) – безнапорный двухвентильный смеситель для умывальника
- MAE-W (UTE) – безнапорный однорычажный смеситель для умывальника

### 9. Подготовительные мероприятия

- ▶ Тщательно промыть водопроводную систему.

#### Водопроводные работы

Предохранительный клапан не требуется.

### 10. Монтаж

#### 10.1 Место монтажа

Устанавливать прибор только в незамерзающем помещении рядом с водоразборной арматурой.

Необходимо обеспечить возможность доступа к боковым винтам крепления крышки.

Прибор подходит исключительно для а под раковиной (соединения для воды снизу).

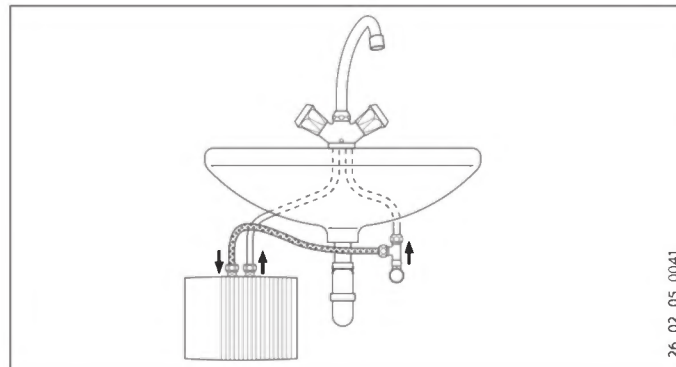


**ОПАСНОСТЬ** поражение электрическим током  
Степень защиты IP25 обеспечивается только при установленной задней стенке прибора.

- ▶ Задней стенки прибора является обязательным.

### 10.2 Варианты монтажа

Под раковиной, напорный, с напорной арматурой

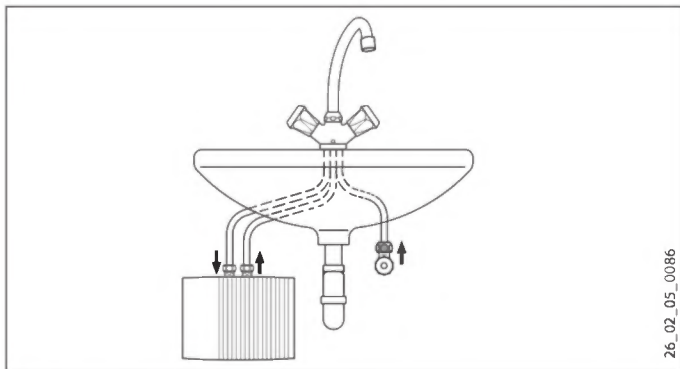


26\_02\_05\_0041

## УСТАНОВКА

### Монтаж

Под раковиной, безнапорный, с безнапорной арматурой



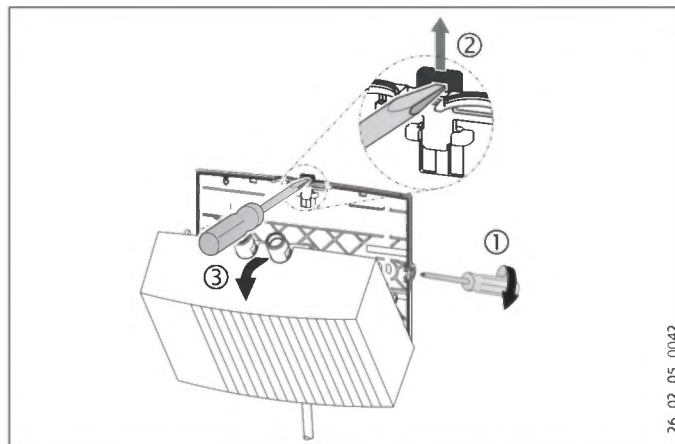
#### 10.2.1 Монтаж прибора



##### Указание

Стена должна обладать достаточной несущей способностью.

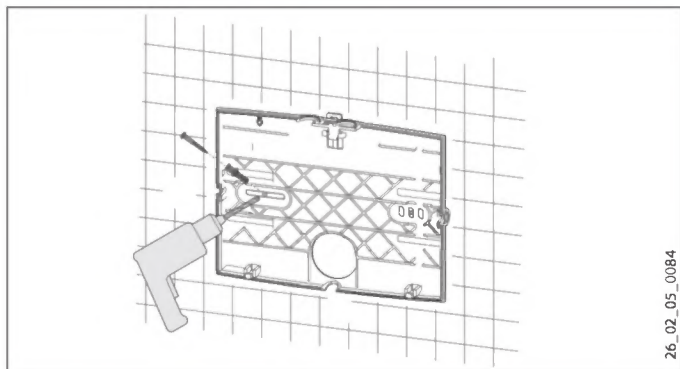
- ▶ Смонтировать прибор на стене.



- ▶ Вывернуть винты крепления крышки на два оборота.
- ▶ Разблокировать запор с защелкой при помощи отвертки.
- ▶ Снять по направлению вперед крышку прибора вместе с системой нагрева.
- ▶ С помощью клещей выломать в крышке прибора отверстие для ввода кабеля электропитания. При необходимости обточить контур напильником.

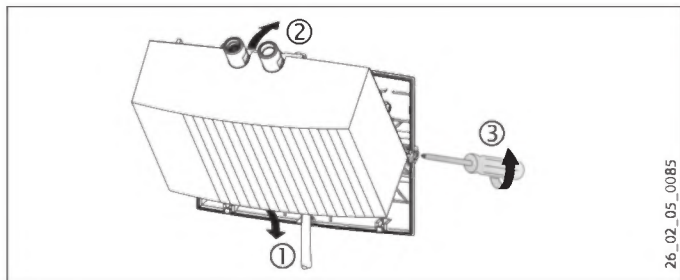
# УСТАНОВКА

## Монтаж



26\_02\_05\_0084

- ▶ В качестве шаблона для сверления следует использовать заднюю стенку прибора.
- ▶ Закрепить заднюю стенку прибора на стене с помощью подходящих дюбелей и винтов.



26\_02\_05\_0085

- ▶ Пропустить кабель электропитания через кабельный ввод в задней стенке.
- ▶ Навесить нижнюю часть крышки прибора вместе с системой нагрева.
- ▶ Зафиксировать систему нагрева с помощью запора с защелкой.
- ▶ Закрепить крышку прибора с помощью соответствующих винтов.

### 10.2.2 Монтаж смесителя



#### Материальный ущерб

При всех соединениях необходимо придерживать прибор гаечным ключом размером 14.

#### Герметичное соединение

- ▶ Смонтировать соединительный шланг 3/8, входящий в комплект поставки, и тройник 3/8.
- ▶ Установить смеситель. При этом следует также соблюдать положения инструкции по эксплуатации и установке смесителя.

#### Безнапорное соединение

- ▶ Установить смеситель. При этом следует также соблюдать положения инструкции по эксплуатации и установке смесителя.

### 10.3 Подключение к сети электропитания



**ОПАСНОСТЬ** поражение электрическим током  
Все работы по электрическому подключению и установке необходимо производить в соответствии с инструкцией.



**ОПАСНОСТЬ** поражение электрическим током  
Проверить подключение прибора к защитному проводу.  
Прибор должен отключаться от сети с размыканием всех контактов на всех полюсах и изолированием на расстоянии не менее 3 мм.



**ОПАСНОСТЬ** поражение электрическим током  
В состоянии на момент поставки приборы оснащены электрическим соединительным проводом (у EIL 3 Plus – с вилкой).  
Неразъемное подключение допускается, если поперечное сечение сетевого провода не меньше, чем у кабеля электропитания прибора, входящего в серийную комплектацию. Максимально допустимое поперечное сечение провода составляет  $3 \times 6 \text{ мм}^2$ .



#### Материальный ущерб

При подключении к розетке с защитным контактом (если прибор подключается с помощью соединительного провода с вилкой) после установки прибора доступ к розетке должен оставаться свободным.



#### Материальный ущерб

Следует соблюдать данные на заводской табличке. Напряжение сети должно совпадать с указанным на табличке.

- ▶ Подключить кабель электропитания в соответствии с электрической схемой (см. главу «Технические характеристики / Электрическая схема»).

## 11. Ввод в эксплуатацию

### 11.1 Первый ввод в эксплуатацию



- ▶ Заполнить прибор, многократно открывая и закрывая арматуру, пока из водопроводной сети и контура прибора не будет удален весь воздух.
- ▶ Выполнить проверку герметичности.
- ▶ Вставить вилку кабеля электропитания, если она имеется, в розетку с защитным контактом или включить автоматический выключатель.
- ▶ Проверить работу прибора.

### 11.2 Передача устройства

- ▶ Объяснить пользователю принцип работы устройства и ознакомить его с правилами использования устройства.
- ▶ Указать пользователю на возможные опасности, особенно на опасность обваривания.
- ▶ Передать данное руководство.

### 11.3 Повторный ввод в эксплуатацию



#### Материальный ущерб

После нарушения водоснабжения необходимо снова включить прибор, выполняя описанные далее действия; это поможет избежать повреждения нагревательной системы с открытым нагревательным элементом.

- ▶ Отключить прибор от сети. Для этого нужно извлечь вилку кабеля электропитания, если она имеется, из розетки с защитным контактом или выключить автоматический выключатель.
- ▶ См. главу «Первый ввод в эксплуатацию».

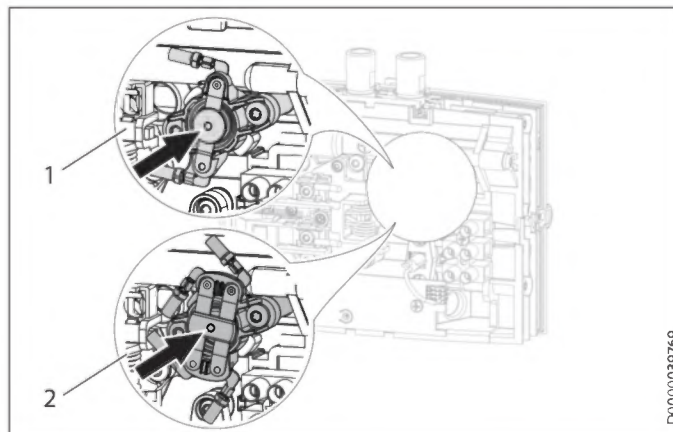
## 12. Вывод из эксплуатации

- ▶ Обесточить прибор с помощью предохранителя в электрической сети здания или извлечения вилки кабеля электропитания из розетки.
- ▶ Опорожнить прибор, см. главу «Техническое обслуживание».

### 13. Поиск и устранение неисправностей

Проблема	Причина	Способ устранения
Прибор не включается, несмотря на полностью открытый кран горячей воды.	Регулятор струи в смесителе заизвесткован или загрязнен.	Очистить регулятор струи и / или удалить из него накипь либо заменить специальный регулятор струи.
	Загрязнен сетчатый фильтр на линии подачи холодной воды.	Прочистить фильтр, предварительно перекрыв подачу холодной воды.
	Неисправна нагревательная система.	Измерить сопротивление в системе нагрева; при необходимости заменить прибор.
	Сработал предохранительный ограничитель давления.	Устранить причину неисправности. Обесточить прибор и сбросить давление в водопроводе. Активировать предохранительный ограничитель давления.

### Привести в действие предохранительный ограничитель давления



- 1-полюсный предохранительный ограничитель давления EIL 4 Plus / EIL 6 Plus
- 2-полюсный предохранительный ограничитель давления EIL 3 Plus / EIL 7 Plus



### 14. Техническое обслуживание



**ОПАСНОСТЬ** поражение электрическим током  
При любых работах необходимо полное отключение прибора от сети.

#### 14.1 Опорожнение прибора



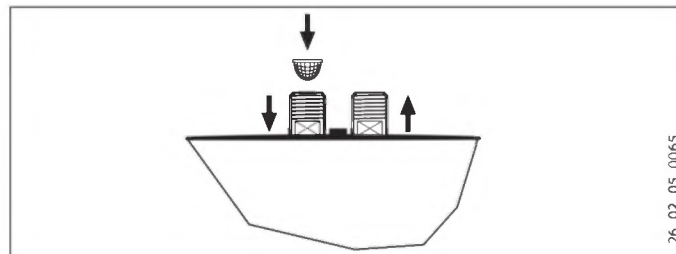
**ОПАСНОСТЬ** обваривание  
При опорожнении прибора из него может вытекать горячая вода.

При необходимости слить воду из прибора для технического обслуживания или защиты всей установки от замерзания следует действовать, как описано ниже.

- ▶ Закрывать запорный клапан в трубопроводе подачи холодной воды.
- ▶ Открыть раздаточный вентиль.
- ▶ Отсоединить трубопроводы подачи воды от прибора.

#### 14.2 Чистка сетчатого фильтра

Встроенный сетчатый фильтр можно прочистить после деаэрации трубопровода холодной водой.



### 14.3 Проверки согласно VDE 0701/0702

#### Проверка провода заземления

- ▶ Проверить заземление (в Германии, например, согласно DGUV A3) на контакте защитного провода кабеля электропитания и на соединительном патрубке прибора.

#### Сопротивление изоляции

- ▶ Если прибор номинальной мощности > 3,5 кВт не достигает сопротивления изоляции 300 кОм, рекомендуем проверить характеристики изоляции этого прибора, методом разностного тока измерив ток защитного провода / ток поверхностной утечки согласно VDE 0701/0702 (рис. С.3b).

### 14.4 Хранение прибора

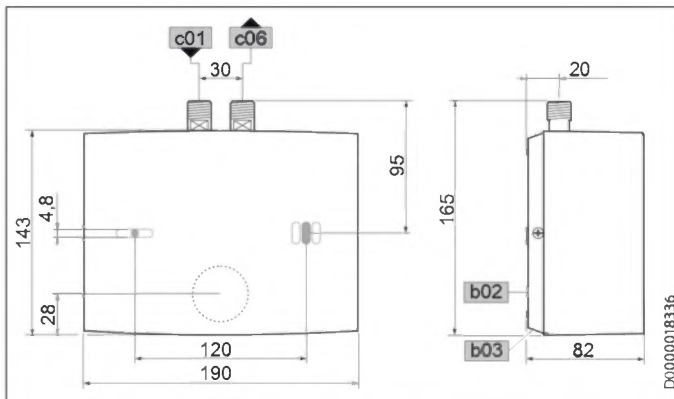
- ▶ Хранить демонтированный прибор в отапливаемом помещении, поскольку в приборе всегда находятся остатки воды, которые могут замерзнуть и повредить его.

### 14.5 Замена электрического соединительного провода EIL 6 Plus

- ▶ При замене электрического соединительного провода EIL 6 Plus следует использовать провод с сечением 4 мм<sup>2</sup>.

### 15. Технические характеристики

#### 15.1 Размеры



b02 Кабельный ввод для электропроводки I

b03 Кабельный ввод для электропроводки II

c01 Подвод холодной воды

Наружная резьба G 3/8 A

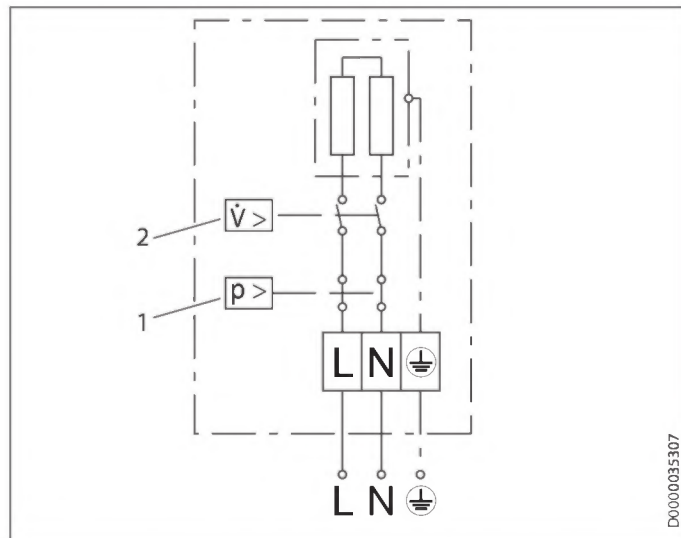
c06 Выпуск горячей воды

Наружная резьба G 3/8 A

## 15.2 Электрическая схема

### 15.2.1 EIL 3 Plus

1/N/PE ~ 200–240 В

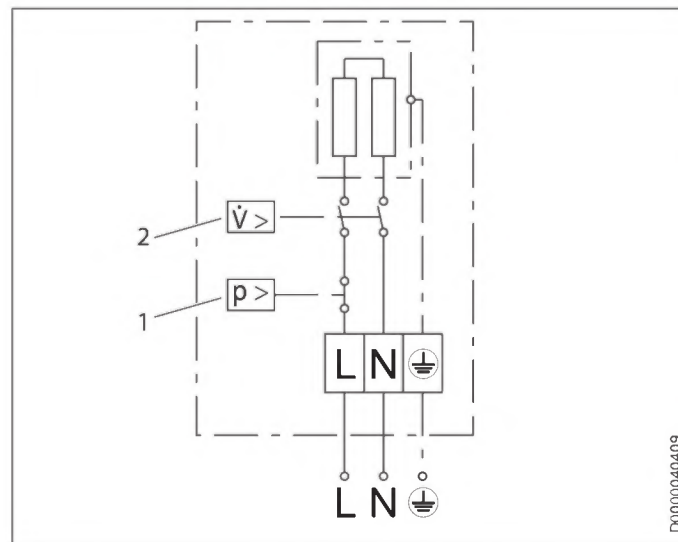


D0000035307

- 1 Предохранительный ограничитель давления
- 2 Датчик разности давлений

### 15.2.2 EIL 4 Plus и EIL 6 Plus

1/N/PE ~ 200–240 В



D0000040409

- 1 Предохранительный ограничитель давления
- 2 Датчик разности давлений

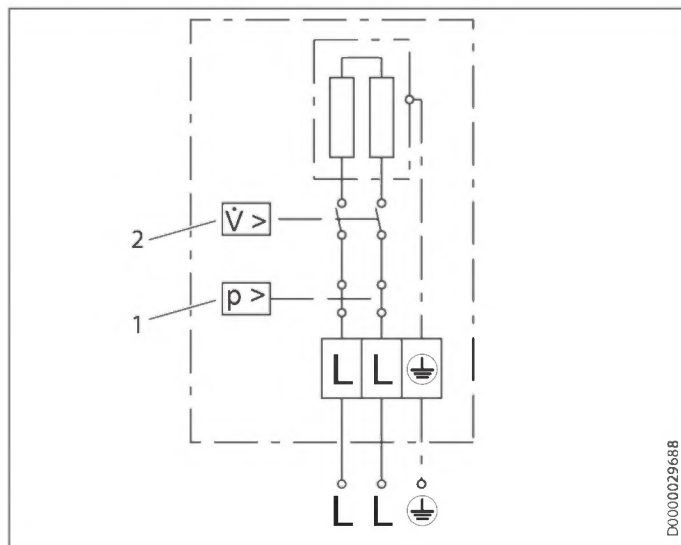


#### Материальный ущерб

- При неразъемном подключении кабеля электропитания провода подключаются в соответствии с обозначениями клемм колодки.

### 15.2.3 EIL 7 Plus

2/PE ~ 380–415 В

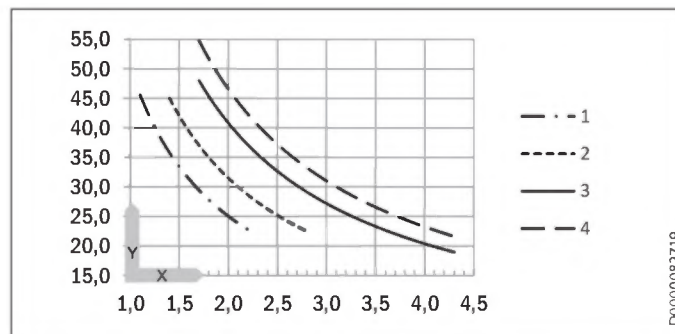


D0000029688

- 1 Предохранительный ограничитель давления
- 2 Датчик разности давлений

### 15.3 Повышение температуры

При напряжении 230 / 400 В действуют следующие значения повышения температуры воды:



D0000082719

X Объемный расход в л/мин  
Y Повышение температуры в К

- 1 3,5 кВт – 230 В
- 2 4,4 кВт – 230 В
- 3 5,7 кВт – 230 В
- 4 6,5 кВт – 400 В

Пример: EIL 3 Plus с 3,5 кВт

Объемный расход	л/мин	2,0
Повышение температуры	К	25
Температура холодной воды на входе	°С	12
Максимально возможная температура воды на выходе	°С	37

### 15.4 Рабочие диапазоны

Удельное электрическое сопротивление и удельная электропроводность воды указаны в таблице параметров.

Стандартные данные при 15 °C			20 °C			25 °C		
Удел. сопротивление $\rho \geq$	Удел. электропроводность $\sigma \leq$	Единица	Удел. сопротивление $\rho \geq$	Удел. электропроводность $\sigma \leq$	Единица	Удел. сопротивление $\rho \geq$	Удел. электропроводность $\sigma \leq$	Единица
Ом·см	мСм/м	мкСм/см	Ом·см	мСм/м	мкСм/см	Ом·см	мСм/м	мкСм/см
1100	91	909	970	103	1031	895	112	1117

### 15.5 Характеристики энергопотребления

Технические характеристики изделия: Стандартный водонагреватель (в соответствии с регламентом ЕС № 812/2013 | 814/2013)

		EIL 3 Plus	EIL 4 Plus	EIL 6 Plus	EIL 7 Plus
		200138	200139	200140	200141
Производитель		STIEBEL ELTRON	STIEBEL ELTRON	STIEBEL ELTRON	STIEBEL ELTRON
Профиль нагрузки		XXS	XXS	XXS	XS
Класс энергоэффективности		A	A	A	A
Энергетический КПД	%	39	39	39	40
Годовое потребление электроэнергии	кВт*ч	478	478	478	467
Уровень звуковой мощности	дБ(A)	15	15	15	15
Особые указания по измерению эффективности		Нет	Нет	Нет	Нет
Суточное потребление электроэнергии	кВт*ч	2,200	2,200	2,200	2,130

### 15.6 Таблица параметров

		EIL 3 Plus				EIL 4 Plus				EIL 6 Plus				EIL 7 Plus		
		200138				200139				200140				200141		
<b>Электрические характеристики</b>																
Номинальное напряжение	В	200	220	230	240	200	220	230	240	200	220	230	240	380	400	415
Номинальная мощность	кВт	2,7	3,2	3,53	3,8	3,3	4,0	4,4	4,8	4,3	5,2	5,7	6,2	5,9	6,5	7,0
Номинальный ток	А	13,3	14,5	15,2	15,8	16,7	18,2	19,1	20	21,6	23,6	24,7	25,8	15,5	16,3	16,9
Предохранитель	А	16				20				25	25	25	32	16	20	20
Частота	Гц	50/60				50/60				50/60				50/60	50/60	50/-
Фазы		1/N/PE				1/N/PE				1/N/PE				2/PE		
Удельное сопротивление $\rho_{15} \geq$	Ом·см	1100				1100				1100				1100		
Удельная электропроводность $\sigma_{15} \leq$	мкСм/см	909				909				909				909		
Макс. полное сопротивление сети при 50 Гц	Ом									0,394	0,377	0,361				
<b>Соединения</b>																
Подключение к водопроводу		G 3/8 A				G 3/8 A				G 3/8 A				G 3/8 A		
<b>Пределы рабочего диапазона</b>																
Макс. допустимое давление	МПа	1				1				1				1		
<b>Параметры</b>																
Макс. допустимая температура подачи	°С	35				35				35				35		
Вкл	л/мин	> 1,6				> 2,0				> 2,6				> 2,6		
Потеря давления при объемном расходе	МПа	0,05				0,06				0,08				0,08		
Объемный расход при потере давления	л/мин	1,6				2,0				2,6				2,6		
Ограничение объемного расхода при	л/мин	2,2				2,8				4,3				4,3		
Мощность по горячей воде	л/мин	2,0				2,5				3,2				3,7		
$\Delta\theta$ при подаче	К	25				25				25				25		

# УСТАНОВКА

## Технические характеристики

		EIL 3 Plus	EIL 4 Plus	EIL 6 Plus	EIL 7 Plus
<b>Гидравлические характеристики</b>					
Номинальная емкость	л	0,1	0,1	0,1	0,1
<b>Модификации</b>					
Монтаж под раковиной		X	X	X	X
Конструкция открытого типа		X	X	X	X
Конструкция закрытого типа		X	X	X	X
Класс защиты		1	1	1	1
Изолирующий блок		Пластмасса	Пластмасса	Пластмасса	Пластмасса
Генератор тепла системы отопления		Открытый нагревательный элемент	Открытый нагревательный элемент	Открытый нагревательный элемент	Открытый нагревательный элемент
Крышка и задняя панель		Пластмасса	Пластмасса	Пластмасса	Пластмасса
Цвет		белый	белый	белый	белый
Степень защиты (IP)		IP25	IP25	IP25	IP25
<b>Размеры</b>					
Высота	мм	143	143	143	143
Ширина	мм	190	190	190	190
Глубина	мм	82	82	82	82
Длина соединительного кабеля	мм	700	700	700	700
<b>Вес</b>					
Вес	кг	1,4	1,4	1,4	1,4



### Указание

Прибор соответствует требованиям стандарта IEC 61000-3-12.

---

## УСТАНОВКА

### Технические характеристики

---

Серийный номер на шильдике прибора содержит дату изготовления прибора.

Серийный номер имеет следующую структуру: 6-значный артикул прибора - 4-значная дата производства- 6-значный порядковый номер.

4-значная дата производства расшифровывается так:

- Первые две цифры плюс 25 - это год изготовления прибора (2 цифры), то есть 94+25 -> для 2019, 93+25 -> для 2018 и так далее;
- Последние две цифры минус 25 -это календарная неделя изготовления прибора.

Например, 4-значная дата производства 9440 соответствует 15 неделе в 2019 году.

#### **Изготовитель:**

«Штибель Эльтрон ГмБХ & Ко. КГ»  
Адрес: Др. -Штибель-Штрассе 33,  
37603, Хольцминден, Германия  
Тел. 05531 702-0 | Факс 05531 702-480  
info@stiebel-eltron.de  
www.stiebel-eltron.de

Сделано в Германии

#### **Импортер в РФ:**

ООО «Штибель Эльтрон»  
Адрес: ул. Уржумская, д.4, стр. 2  
129343, г. Москва, Россия  
Тел. +7 495 125 0 125 | Факс: +7 495 775 38 87  
info@stiebel-eltron.ru  
www.stiebel-eltron.ru



## Гарантия

Приборы, приобретенные за пределами Германии, не подпадают под условия гарантии немецких компаний. К тому же в странах, где продажу нашей продукции осуществляет одна из наших дочерних компаний, гарантия предоставляется исключительно этой дочерней компанией. Такая гарантия предоставляется только в случае, если дочерней компанией изданы собственные условия гарантии. За пределами этих условий никакая гарантия не предоставляется.

На приборы, приобретенные в странах, где ни одна из наших дочерних компаний не осуществляет продажу нашей продукции, никакие гарантии не распространяются. Это не затрагивает гарантий, которые могут предоставляться импортером.

## Защита окружающей среды и утилизация

► Утилизацию использованных приборов и материалов следует производить в соответствии с правилами соответствующего государства.



► Если на приборе изображен перечеркнутый мусорный бак, сдавать такие приборы для утилизации и вторичной переработки необходимо в муниципальный пункт сбора или пункт приема в торговых предприятиях.



Этот документ напечатан на бумаге, подлежащей вторичной переработке.

► По окончании жизненного цикла прибора утилизируйте документ в соответствии с правилами соответствующего государства.

---

ДЛЯ ЗАМЕТОК

---

---

ДЛЯ ЗАМЕТОК

---

Comfort through Technology

**STIEBEL ELTRON GmbH & Co. KG**

Dr.-Stiebel-Straße 33 | 37603 Holzminden | Germany

info@stiebel-eltron.com | www.stiebel-eltron.com



A 334003-46095-9932  
B 334002-41065-9432